

opposedforces.com

[Subaru parts catalog](#) \ [Subaru LEGACY](#) \ [B13](#) \ [Browse parts](#) \ [Body equipment — exterior](#) \ [Under cover & exhaust cover](#) \ [Illustration #2](#)

AdChoices

Used Forester

Car Auto Parts

OEM Catalog

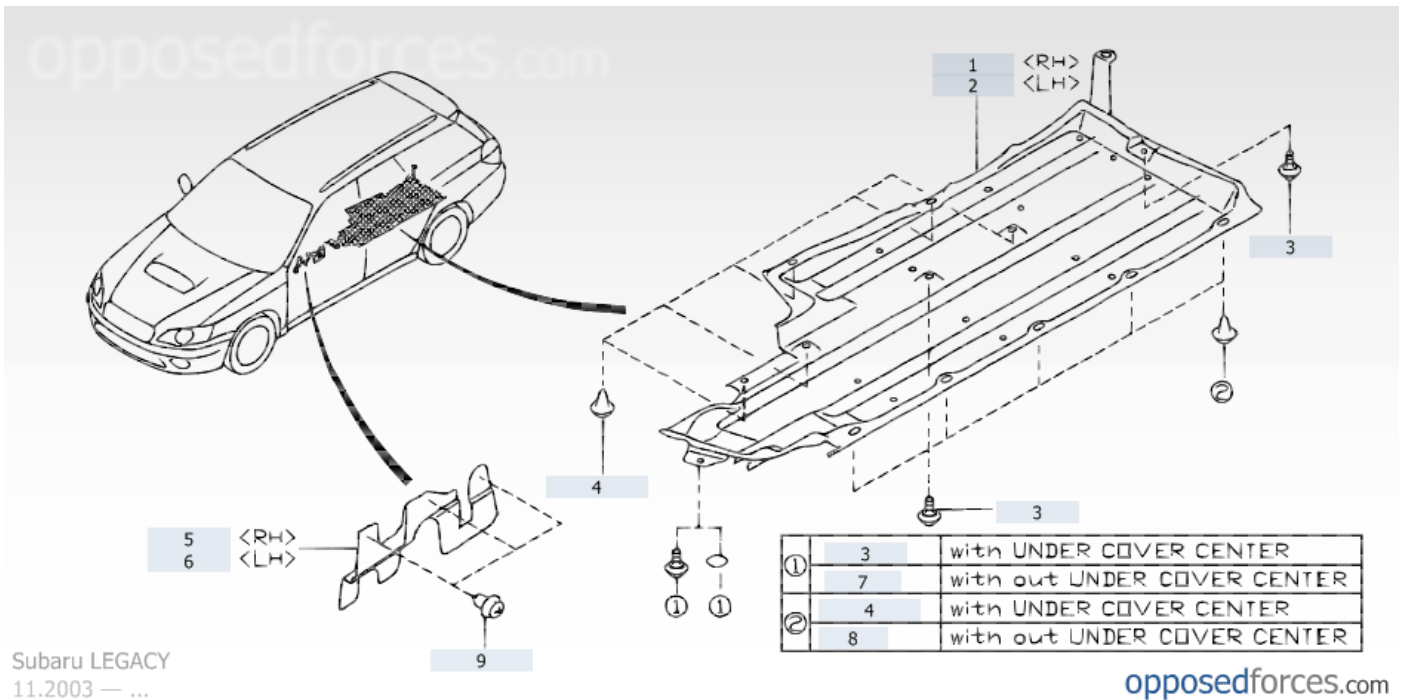
Under cover & exhaust cover — Illustration #2, Subaru LEGACY

- 1 Autoworks Port Townsend - Auto repair AAA Top Shop, ASE 22 years of ex us today! auto
- 2 Printable PDF (Free) - Download PDF Download Here iwantmypdf.com
- 3 Official Repair Manuals - Free Official Manuals & Guides Search & Find Manu App. Get PDF Manu

Model	LEGACY	Body	WAGON
Body Code	B13	Engine	2500CC EMPI DOHC TURBO
Region	USA	Train	FULLTIME 4WD
		Transmission	5SP Automatic transmission
		Grade	25GT(OBK:XT)

<< Previous illustration

Next illustration >>



- 1 Autoworks Port Townsend - Auto repair AAA Top Shop, ASE 22 years of experience keeping your car on the road. Call us today! autoworksopft.com
- 2 Official Repair Manuals - Free Official Manuals & Guides Search & Find Manuals & User Guides with Search Manuals App. Get PDF Manuals & Guide

Pos	Description	Part number	Supplement	Date	Quantity
-----	-------------	-------------	------------	------	----------

1 Under cover-center, right	<u>56411AG04A</u>	'03, November — '05, May '03, November — '05, May '04, October — '06, June '05, November — '07, March	1
2 Under cover-center, left	<u>56411AG05A</u>	'03, November — '05, May '03, November — '05, May '04, October — '06, June '05, November — '07, March	1
3 Screw-bumper	<u>57770KC000</u>	'03, November — '05, May '03, November — '05, May '04, October — '06, June '05, November — '07, March	6
4 Clip	<u>909130067</u>	'03, November — '05, May '03, November — '05, May '04, October — '06, June '05, November — '07, March	20
5 Under cover-front, right	<u>56440AG07A</u>	'03, November — '05, May '03, November — '05, May	1
6 Under cover-front, left	<u>56440AG08A</u>	'03, November — '05, May '03, November — '05, May	1
9 Clip-bumper	<u>909140007</u>	'03, November — '05, May '03, November — '05, May '04, October — '06, June '05, November — '07, March	10

View PDF (Free)

View PDF - Start Here. Download DOCtoPDF Now! DOCtoPDF.i

[BB Code for this illustration image](#)

[HTML Code for this illustration image](#)

[<< Previous illustration](#)

[Next illustration >>](#)



Subaru parts catalog is still in beta.

The contents provided for acquaintance purposes only.

We are not responsible for any data inconsistency and possible inconvenience caused.

Contact your local parts supplier to get precise information.

