



[Subaru parts catalog](#) \ [Subaru LEGACY](#) \ [B13](#) \ [Browse parts](#) \ [Body equipment — exterior](#) \ [Under cover & exhaust cover](#) \ [Illustration #1](#)

▶ AdChoices

Used Forester

Car Auto Parts

OEM Catalog

Under cover & exhaust cover — Illustration #1, Subaru LEGACY

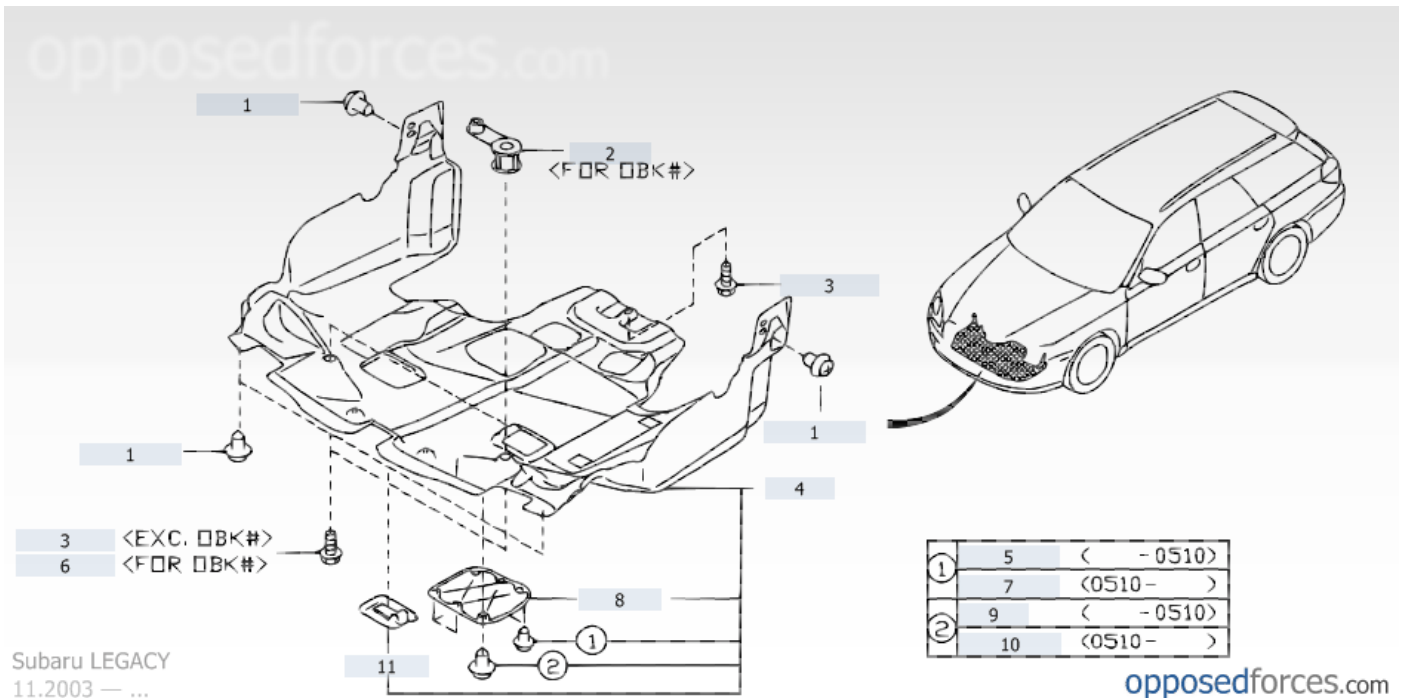
1 **GP Automotive - Mercedes Benz Service** We Offer Courtesy Shuttle Services And Ir

2 **NFAutomotive Service & Repair - German Auto Specialists** BMW, Mini Coop Benz. Call us tod

3 **Download PDF** To View PDF - Download Here MyPDF Online [▶](#)

Model	LEGACY	Body	WAGON
Body Code	B13	Engine	2500CC EMPI DOHC TURBO
Region	USA	Train	FULLTIME 4WD
		Transmission	5SP Automatic transmission
		Grade	25GT(OBK:XT)

[Next illustration >>](#)



Subaru LEGACY
11.2003 — ...

opposedforces.com

WATCH LIVE

1. **Click** Start Now
2. **Free** Access - No
3. **Access** Streaming

Pos	Description	Part number	Supplement	Date	Quantity
-----	-------------	-------------	------------	------	----------

1	Clip-bumper		10
		<u>909140007</u>	
		'03, November — '05, May '03, November — '05, May '04, October — '06, June '05, November — '07, March	
3	Flange bolt		3
		<u>901000159</u>	
		'03, November — '05, May '03, November — '05, May '04, October — '06, June '05, November — '07, March	
4	Under cover-front		1
		<u>56410AG06A</u>	
		'03, November — '04, October '03, November — '04, October	
		<u>56410AG06B</u>	
		'04, October — '05, May '04, October — '05, May	
		<u>56410AG15A</u>	
		'04, October — '06, June '05, November — '07, March	
5	Clip		20
		<u>909130067</u>	
		'03, November — '05, May '03, November — '05, May '04, October — '06, June '05, November — '07, March	
7	Clip d8		5
		<u>909140053</u>	
		'05, October — '06, June '05, November — '07, March	
8	Cover-engine room		1
		<u>56417AG00A</u>	
		'03, November — '05, May '03, November — '05, May	
		<u>56417AG03A</u>	
		'04, October — '06, June '05, November — '07, March	
9	Clip-bumper, side		1
		<u>57728AC090</u>	
		'03, November — '05, May '03, November — '05, May '04, October — '05, October	
10	Clip d10		1
		<u>909140054</u>	
		'05, October — '06, June '05, November — '07, March	

11 Plate - atf**2****56417AG04A**

'03, November — '05, May

'03, November — '05, May

'04, October — '06, June

'05, November — '07, March

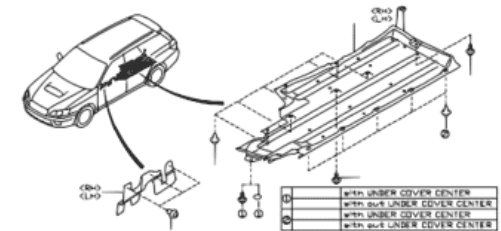


1. **Click** Start Now
2. **Free** Access - No
3. **Access** Streaming

[BB Code for this illustration image](#)

[HTML Code for this illustration image](#)

[Next illustration >>](#)



Subaru parts catalog is still in beta.

The contents provided for acquaintance purposes only.

We are not responsible for any data inconsistency and possible inconvenience caused.

Contact your local parts supplier to get precise information.

