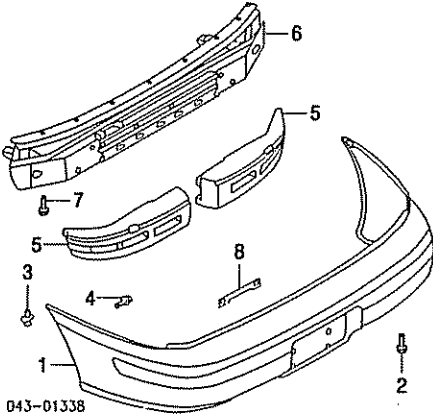


8 Nut	R/L 757727111		8.13
9 Brkt, Lower	93 R/L 57790FA160	IOH	65.10
	94-96 R/L 57790FA161	IOH	8.50
10 Clip, Upper	R/L 757754430		3.15
11 Retainer, Lower Cover			
1993 (7)	57719AA001		2.32
1994-96 (9)	57728AC090		.80
12 Absorber, Impact	R 57730FA010	IOH	54.95
	L 57730FA020	IOH	54.95
13 Bar, Reinforcement	57760FA151	IOH	219.95
14 Retainer, Upper Cover (9)	94-96 57728AC090		.80
15 Brkt, License	757745510		.2 5.50

**1997-01**

Refinish Rear Cover	2.5
R&I Bumper Assy	1.0
O/H Bumper Assy (Includes R&I)	1.5

NOTE: All Parts in this section are included in overhaul unless noted otherwise.



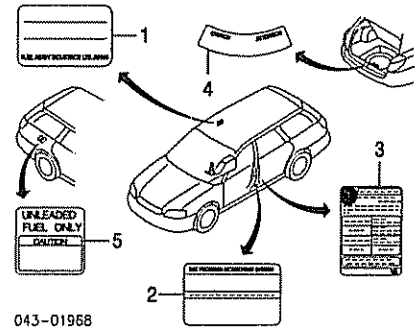
043-01338

1 Cover, Rear (P)	57720FA032	15	179.95
<i>(P) Paint to Match</i>			
Pad, Step "OUTBACK"	E7710FS000	#2	39.95
<i>#Not Included in O/H</i>			
2 Retainer, Cover (18)	57728AC090		.80
3 Rivet (2)	81910TA100		1.48
4 Bolt, Mounting (2)	010006126		.40
5 Absorber, Impact	R 57730FA010	IOH	54.95
	L 57730FA020	IOH	54.95
6 Bar, Reinforcement	57760FA151	IOH	219.95
7 Bolt & Washer (2/Side)	R/L 901120047		2.53
8 Brkt, License	757745510	.2	5.50

**SUBARU LEGACY/OUTBACK 2005**

**SECTION INDEX**

A/C/HEATER/VENTILATION	960
A/C REFRIGERANT CAPACITIES	960
ABS/BRAKES	962
AIR BAG SYSTEM	962
AIR CLEANER	966
BACK WINDOW	977
CENTER CONSOLE	970
CLEAR COAT IDENTIFICATION	957
COOLING	959
COWL & DASH	969
ELECTRICAL	968
EMISSION SYSTEM	968
ENGINE OIL COOLER	960
ENGINE UNDER COVER	966
ENGINE/TRANS	965
ENGINE/TRANS MOUNTS	966
EXHAUST	967
FRONT BUMPER	957
FRONT DOOR	973
FRONT DRIVE AXLE	963
FRONT FENDER	961
FRONT INNER STRUCTURE	961
FRONT LAMPS	958
FRONT SEAT	971
FRONT STEERING LINKAGE/GEAR	963
FRONT SUSPENSION	963
FUEL TANK	981
GRILLE	958
HOOD	958
INFORMATION LABELS	957
INSTRUMENT PANEL	969
LIFTGATE	980
LUGGAGE LID	979
PAINT CODE LOCATION	957
QUARTER GLASS	979
QUARTER PANEL	977
REAR BODY	982
REAR BUMPER	983
REAR DOOR	974
REAR DRIVE AXLE	961
REAR LAMPS	983
REAR SEAT	972
REAR SUSPENSION	980
ROCKER/PILLARS/FLOOR	970
ROOF	975
SEAT BELTS	972
SPECIAL CAUTIONS	957
STEERING PUMP	964
STEERING WHEEL/COLUMN	964
SUNROOF	977
TURBOCHARGER/INTERCOOLER	966
UNDERHOOD DIMENSIONS	961
WHEEL	962
WINDSHIELD	968



043-01968

2 Label, Tire Info	28186AG00A	1.90
3 Label, Tire Pressure	28181AG52A	1.90
<i>#Order by Application</i>		
4 Label, Tire Caution	91551AA062	1.93
5 Label, Unleaded Fuel		
4 Cyl	10024AA170	1.68
6 Cyl	10024AA07A	1.98
<i>#Order by Application</i>		
Label, Air Bag	R/L 98281AE09A	1.98
Label, Jack	97034AG03A	1.90
Label, Fuse	82245AG000	1.82
Label, Glass Caution-See Back Window Section		
Label, A/C	73772AG02A	1.90

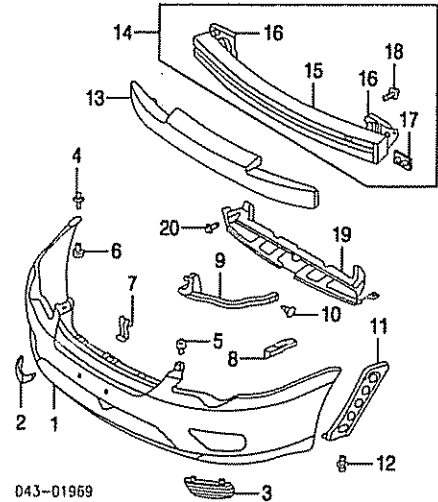
**FRONT BUMPER**

Use Procedure Explanations 1 and 28 with the following text.

**LEGACY**

Refinish Front Cover	2.0
Refinish Cover Plate	5
Refinish Fog Lamp Cover	R/L 4
Refinish Reinforcement Bar	.8
R&I Front Cover	#1.5
<i>#Includes R&amp;I/R&amp;R Fender Liners</i>	
O/H Bumper Assy (Includes R&I)	#2.4
<i>#Includes R&amp;I Grille &amp; R&amp;I/R&amp;R Fender Liners</i>	

NOTE: All Parts in this section are included in overhaul unless noted otherwise.



043-01969

1 Cover, Front (P)	57704AG02A	#2.1	229.95
<i>(P) Paint to Match</i>			
<i>#Includes R&amp;I Grille &amp; R&amp;I/R&amp;R Fender Liners</i>			
2 Plate, Cover	57731AG10A	2	10.70
3 Cover, Fog Lamp			
Atlantic Blue	R 57731AG80ABE	2	17.50
	L 57731AG81ABE	2	17.50
Obsidian Black	R 57731AG80AVW	2	17.50
	L 57731AG81AVW	2	17.50
Red	R 57731AG80AAR	2	17.50
	L 57731AG81AAR	2	17.50
Regal Blue	R 57731AG80ABH	2	17.50
	L 57731AG81ABH	2	17.50
Silver	R 57731AG80ATE	2	17.50
	L 57731AG81ATE	2	17.50
White	R 57731AG80AWH	2	17.50
	L 57731AG81AWH	2	17.50
4 Clip, Cover Side (2/Side)	R/L 59122PA010		1.48
5 Clip, Center	R/L 57737GA290		1.98
6 Clip, Cover (9)	909140007		.70
7 Bracket, Lower	57707AG63A		8.97
8 Slider, Bumper Side	R 57765AG02A		4.40
	L 57765AG03A		4.40
9 Bracket, Corner	R 57707AG21A		47.32

**SPECIAL CAUTIONS**

**SUPPLEMENTAL RESTRAINT SYSTEM**

Refer to Procedure Explanation 29 for Supplemental Restraint/Air Bag Special Cautions

**PAINT CODE LOCATION**

Paint code located on left shock tower

**CLEAR COAT IDENTIFICATION**

All colors are clear coat

**INFORMATION LABELS**

Illustration Located in Next Column

1 Label, Radio Noise	10190AA00A	1.98
----------------------	------------	------

# SUBARU LEGACY/OUTBACK 2005

## FRONT BUMPER Cont'd

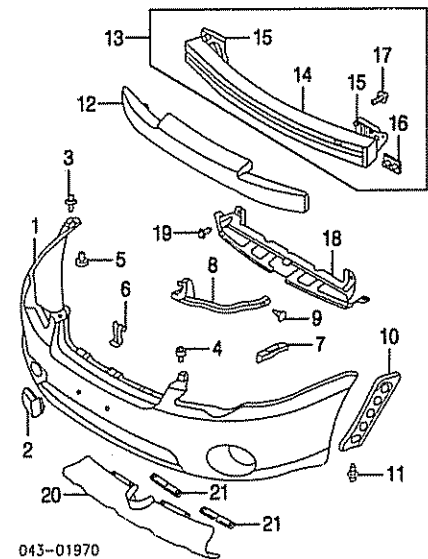
### LEGACY Cont'd

10 Clip, Bracket	L 57707AG22A	47.32
11 Bracket, Bumper Side	R 46064AE000	99
	R 57707AG15A	14.40
	L 57707AG16A	14.40
12 Clip, Corner (2/Side)	R/L 59122PA010	1.48
13 Absorber, Impact	57705AG04A	IOH 64.95
14 Bar Assy, Reinforcement	57712AG01A	#.3 239.95
15 Bar, Reinforcement	57712AG27A	#.3 189.95
<i>#w/Front Cover Removed</i>		
16 Bracket, Reinforcement	R 57714AG08A9P	59.67
	L 57714AG09A9P	59.67
17 Nut, Plate (4)	N.A.	0.00
18 Bolt, Flange (6)	010108207	54
<i>#Included w/Reinforcement Bar Assy</i>		
19 Cover, Air Intake	57731AG70A	36.62
20 Clip, Cover	R/L 909130129	3.62
Sensor, Temperature	73730AG00A	8.15

### OUTBACK

Refinish Front Cover.....	2.0
Refinish Cover Plate.....	5
Refinish Reinforcement Bar.....	.8
R&I Front Cover.....	#1.5
<i>#Includes R&amp;I/R&amp;R Fender Liners</i>	
O/H Bumper Assy (Includes R&I).....	#2.2
<i>#Includes R&amp;I/R&amp;R Fender Liners &amp; Fog Lamps</i>	

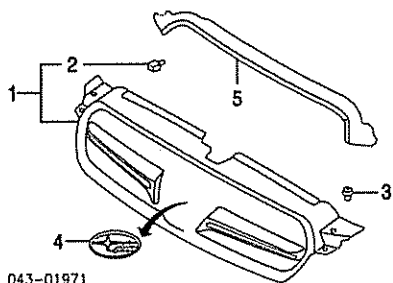
NOTE: All Parts in this section are Included in overhaul unless noted otherwise.



1 Cover, Front (P)	57704AG03A	#1.9	229.95
<i>(P) Paint to Match</i>			
<i>#Includes R&amp;I/R&amp;R Fender Liners &amp; Fog Lamps</i>			
2 Plate, Cover	57731AG11A	2	10.73
3 Clip, Cover Side (2/Side)	R/L 59122PA010	1.48	1.48
4 Clip, Center	R/L 57737GA290	1.98	
5 Clip, Cover (8)	909140007	70	
6 Bracket, Lower	57707AG64A	9.02	
7 Slider, Bumper Side	R 57765AG02A	4.40	
	L 57765AG03A	4.40	
8 Bracket, Corner	R 57707AG21A	47.32	
	L 57707AG22A	47.32	
9 Clip, Bracket	R/L 46064AE000	99	
10 Bracket, Bumper Side	R 57707AG17A	16.17	
	L 57707AG18A	16.17	
11 Clip, Corner (2/Side)	R/L 59122PA010	1.48	
12 Absorber, Impact	57705AG05A	IOH 64.95	
13 Bar Assy, Reinforcement	57712AG02A	#.3 239.95	
14 Bar, Reinforcement	57712AG28A	#.3 189.95	
<i>#w/Front Cover Removed</i>			
15 Bracket, Reinforcement	R 57714AG08A9P	59.67	
	L 57714AG09A9P	59.67	
16 Nut, Plate (4)	N.A.	0.00	
17 Bolt, Flange (6)	010108207	54	
<i>#Included w/Reinforcement Bar Assy</i>			
18 Cover, Air Intake	57731AG70A	36.62	
19 Clip, Cover	R/L 909130129	3.62	
20 Guard, Bumper	57734AG00A	117.92	
21 Bracket, Guard	R 57707AG97A	7.98	
	L 57707AG98A	7.98	
Sensor, Temperature	73730AG00A	8.15	

### GRILLE

R&I Grille Assy.....	#.2
<i>#Included in R&amp;R or O/H Front Bumper</i>	

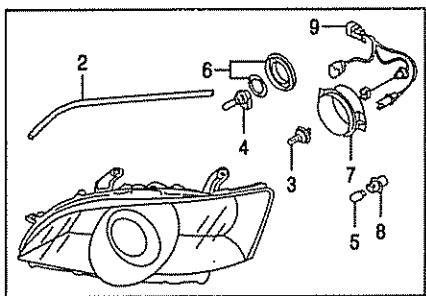


1 Grille Assy	Legacy 91121AG12A	.3	170.88
	Outback 91121AG07A	3	156.78
2 Clip, Retainer (4)	91165AG140		5.43
<i>#Included w/Grille Assy</i>			
3 Clip, Grille	R/L 909140007		70
4 Emblem, Grille (Adhesive)	93013AG000	2	34.32
5 Seal, Grille	57252AG02A		19.58

## FRONT LAMPS

### COMBINATION LAMP

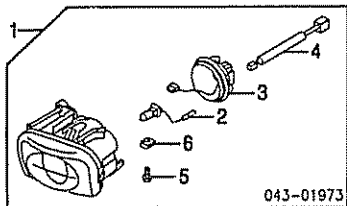
Aim Lamps.....	4
R&I Combination Lamp Assy.....	R/L #.4
<i>#Included in R&amp;I/R&amp;R Fender</i>	



1 Lamp Assy, Combination	R 84001AG10A	#.4	299.95
	L 84001AG11A	#.4	299.95
<i>#Included in R&amp;I/R&amp;R Fender</i>			
2 Seal, Lamp	R 84942AG090	7.82	
	L 84942AG100	7.87	
3 Bulb, Outer Headlamp	R/L 84920AE000	#.2	17.48
4 Bulb, Inner Headlamp	R/L 84920PA000	#.2	19.95
5 Bulb, Signal	R/L 84920AG010	#.2	3.92
<i>#R&amp;R One Side Complete, Included in R&amp;I/R&amp;R Combination Lamp Assy</i>			
6 Cap, Headlamp	R/L 84953AG110	3.58	
7 Cover, Headlamp	R/L 84953AG060	4.15	
8 Socket, Signal	R/L 84930AG000	4.68	
9 Harness, Headlamp	R/L 84981AG070	16.05	
<i>#Included w/Combination Lamp Assy</i>			
10 Screw, Lamp (2/Side)	R/L 904586012	.60	
11 Clip, Outer	R/L 84965PA010	1.00	
12 Clip, Inner	R/L 909130051	.98	

### FOG LAMP LEGACY

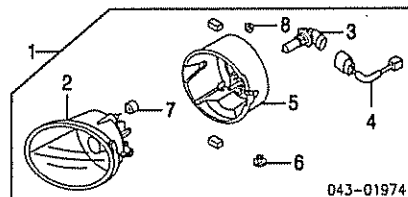
R&I Fog Lamp Assy.....	R/L #.3
<i>#Included in R&amp;R Front Cover or O/H Bumper Assy</i>	



1 Lamp Assy, Fog	R 84501AE260	#.3	278.13
	L 84501AE270	#.3	278.13
<i>#Included in R&amp;R Front Cover or O/H Bumper Assy</i>			
2 Bulb	R/L 84920GA400	#.2	19.95
<i>#Included in R&amp;I/R&amp;R Fog Lamp Assy</i>			
3 Socket	R/L 84931AE210	26.95	
4 Wire, Lamp	R/L 84981AE050	22.88	
5 Screw, Lamp (2/Side)	R/L 57770KC000	94	
6 Nut, Lamp (2/Side)	R/L 57738KA000	2.37	
<i>#Included w/Fog Lamp Assy</i>			

## FOG LAMP OUTBACK

R&I Fog Lamp Assy.....	R/L #.3
<i>#Included in R&amp;R Front Cover or O/H Bumper Assy</i>	

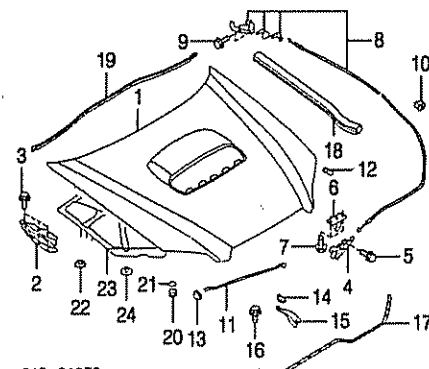


1 Lamp Assy, Fog	R 84501AG04A	#.3	129.07
	L 84501AG05A	#.3	129.07
<i>#Included in R&amp;R Front Cover or O/H Bumper Assy</i>			
2 Lens & Body	R 84912AG310	#.3	113.35
	L 84912AG320	#.3	99.95
3 Bulb	R/L 84920PA010	#.2	19.95
<i>#Included in R&amp;I/R&amp;R Fog Lamp Assy</i>			
4 Socket & Wire	R/L 84981AG060	20.98	
5 Bracket, Lamp	R/L 84927AG050	28.38	
6 Clip, Lamp (2/Side)	R/L 909130051	98	
7 Cap, Lamp	R/L 84956AE050	2.60	
8 Nut, Lamp	R/L 023806007	.64	
<i>#Included w/Fog Lamp Assy</i>			

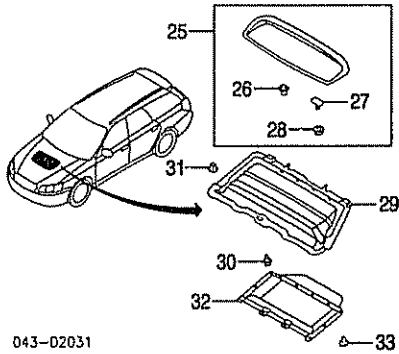
## HOOD

Use Procedure Explanations 4 and 28 with the following text.

Refinish Hood Outside.....	2.7
Add for Underside.....	1.3
Refinish Hinge.....	R/L 3
Refinish Hood Grille Assy.....	.6
R&I Hood Assy.....	#.4
<i>#Includes Recaulk Hinge Edge</i>	
R&I Washer Nozzle.....	R/L #.2
<i>#Included in R&amp;R Hood Panel</i>	



1 Panel, Hood	Legacy 57229AG04A9P	#1.5	358.68
	w/Turbo 57229AG03A9P	#1.0	358.68
	Outback 57229AG04A9P	#1.5	358.68
	w/Turbo 57229AG05A9P	#1.0	358.68
<i>#Includes Recaulk Hinge Edge</i>			
2 Hinge, Hood	R 57260AG02A9P	#.3	18.80
	L 57260AG03A9P	#.3	18.80
<i>#w/Hood Removed, Includes Recaulk Hinge Edge</i>			
3 Bolt & Washer (5/Side)	901250063		.74
4 Latch, Hood	57310AG010	.3	37.57
5 Bolt, Latch (3)	901900295		50
6 Striker, Latch	57311FA000	2	21.23
7 Bolt, Striker (2)	57313FA000		74
8 Cable, Latch Release	57330AG09A	.7	16.70
9 Screw (2)	047406126		1.18
10 Clip, Cable (3)	57333AC000		54
11 Slay, Hood Support	57251AG00A	#.2	63.18
12 Holder, Hood Slay	57242AG01A	#.2	3.70
13 Grommet, Hood Support	57253AA010	#.2	2.80
14 Clamp, Hood Slay	57255AG00A	#.2	3.87
<i>#R&amp;R Complete</i>			
15 Bracket, Plate Support	57232AG05A		63.12
16 Bolt, Bracket	901120061		.44
17 Seal, Hood Front	57252AG00A	2	13.45
18 Seal, Hood/Fender	R/L 57243AG000	.2	5.72
19 Seal, Hood Rear	57252AG01A	2	18.60
20 Bumper, Front Hood	R/L 57254AG00A	1	3.92
21 Protector, Front Bumper	R/L 57253AA031		59
22 Plug, Hood	R/L 909410028		54
23 Insulator, Hood	90815AG16A	.4	39.47
24 Clip, Insulator (13)	909130074		80
<i>Nozzle, Washer-See Windshield Section</i>			



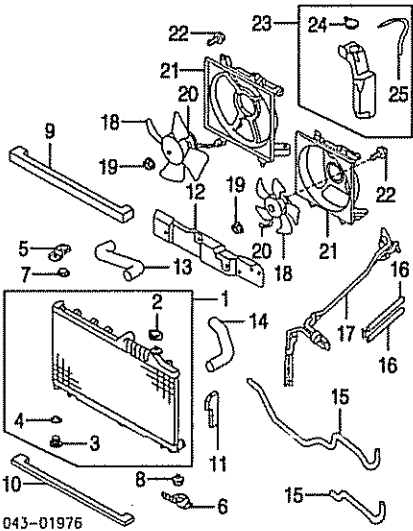
25 Grille Assy, Hood (P) (P) Paint to Match	90821AG000NN	#.5	175.27
26 Clip, Grille	909130130		98
27 Bolt, Grille Mtg (4)	901700143		54
28 Nut, Flange (4)	902370044		60
<i>Included w/Hood Grille Assy</i>			
29 Duct, Air Outer	90817AG001	#.5	182.25
30 Rivet	59130AA000		84
31 Grommet (4)	903300029		98
32 Duct, Air Inner	90817AG010	#.5	154.22
Legacy	90817AG020	#.5	154.22
Outback			
<i>#R&amp;R Complete, Included in R&amp;R Hood</i>			
33 Clip, Duct (12)	90810PA010		1.20

**COOLING**

Use Procedure Explanations 5 and 28 with the following text.

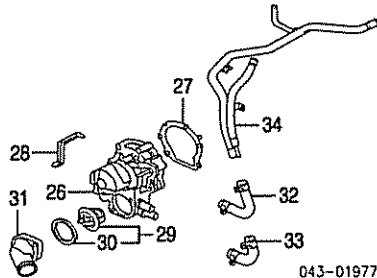
**4 CYL W/TURBO**

R&I Radiator			
Man Trans			9
Auto Trans			1.1



1 Radiator Assy			9	129.95
Man Trans	45111AG03A			
Auto Trans	45111AG02A	1.1		189.95
2 Cap, Radiator	45137AE00B			11.60
3 Plug, Drain	45124AC000			9.65
4 O-Ring	45128KA000			2.17
<i>Included w/Radiator Assy</i>				
5 Bracket, Upr Radiator	R/L 45124AG00A			48.63
6 Bracket, Lwr Radiator	R/L 45124AG01A			49.25
7 Cushion, Upper Radiator	R/L 45135AE03A			2.84
8 Cushion, Lower Radiator	R/L 45135FE000			1.98
9 Seal, Upper Radiator	45167AE00A			15.52
10 Seal, Lower Radiator	45167AG01A			4.98
11 Seal, Side Radiator	R/L 45167AG00A			4.07
12 Cover, Radiator	45134AG000			35.92
13 Hose, Upper Radiator	45161AG00A	#.6		17.28
14 Hose, Lower Radiator	45161AG01A	#.6		8.02
<i>#R&amp;R Both 1.0</i>				
15 Hose, Trans Fluid Front	R 45520AG01A	m #.5		7.45
	L 45520AG03A	m #.5		16.95
<i>#R&amp;R Complete</i>				
16 Hose, Trans Fluid Rear	R 45520AG04A	m #.5		5.43
	L 45520AG05A	m #.5		5.72
<i>#R&amp;R Complete</i>				
17 Pipe, Trans Fluid	45522AG01A	m	.7	42.42
18 Blade, Fan	R 73311AG00A	#.7		25.95
	L 45121AG03A	#.7		39.95

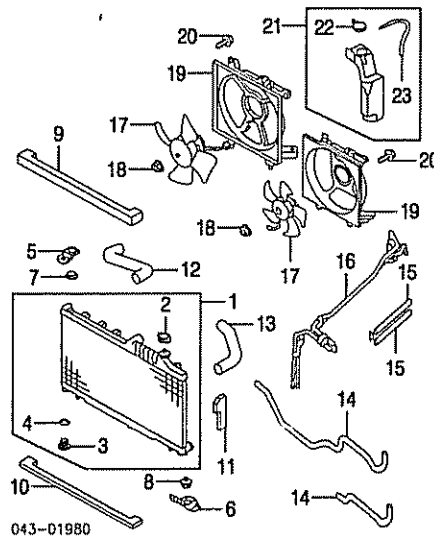
19 Nut, Fan	R/L 023705000	#.7	.08
20 Motor, Fan	R/L 45131SA00A	#.7	170.92
21 Shroud, Fan	R 73313AG03A	#.7	23.53
	L 45122AG03A	#.7	24.37
<i>#R&amp;R One Side Complete, R&amp;R Both Sides 1.0, w/Radiator</i>			
<i>Removed Deduct .4</i>			
22 Screw, Shroud Mtg (2/Side)	R/L 904586010		1.92
23 Tank Assy, Coolant	45150AG01A	.4	54.57
24 Cap, Tank (a)	45155AG00A		19.02
25 Hose, Coolant Tank (a)	45162AG03A		42.18
<i>(a) Included w/Coolant Tank Assy</i>			



26 Pump, Water	21111AA240	m	3.0	108.28
27 Gasket, Water Pump	21114AA051	m		2.55
28 Seal, Water Pump	14065AA250	m		62.87
29 Thermostat Assy	21210AA030	#.6		36.62
30 Gasket, Thermostat (b)	21236AA010	#.6		3.33
<i>(b) Included w/Thermostat Assy</i>				
31 Cover, Thermostat	11060AA061	#.6		16.33
<i>#R&amp;R Complete</i>				
<i>Hose, By-Pass</i>				
32 Upper	807612011	#.5	6.58	
33 Lower	807615182	#.5	5.88	
<i>#R&amp;R Complete</i>				
34 Pipe, By-Pass	14065AA250	2.6		62.67

**4 CYL W/O TURBO**

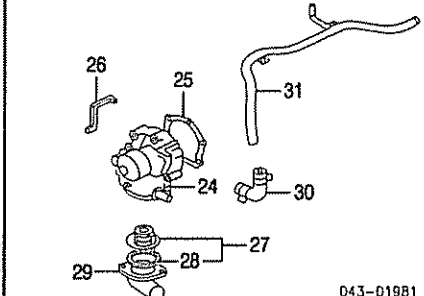
R&I Radiator			
Man Trans			9
Auto Trans			1.1



1 Radiator Assy			9	129.95
Man Trans	45111AG01A			
Auto Trans	45111AG00A	1.1		175.15
2 Cap, Radiator	45137AE00B			11.60
3 Plug, Drain	45124AC000			9.65
4 O-Ring	45128KA000			2.17
<i>Included w/Radiator Assy</i>				
5 Bracket, Upr Radiator	R/L 45124AG00A			48.63
6 Bracket, Lwr Radiator	R/L 45124AG01A			49.25
7 Cushion, Upper Radiator	R/L 45135AE03A			2.84
8 Cushion, Lower Radiator	R/L 45135FE000			1.98
9 Seal, Upper Radiator	45167AE00A			15.52
10 Seal, Lower Radiator	45167AG01A			4.98
11 Seal, Side Radiator	R/L 45167AG00A			4.07
12 Hose, Upper Radiator	45161AG00A	#.6		17.28
13 Hose, Lower Radiator	45161AG06A	#.6		14.73
<i>#R&amp;R Both 1.0</i>				
14 Hose, Trans Fluid Front	R 45520AG02A	m #.5		17.40
	L 45520AG00A	m #.5		8.40
5 Speed	R 45520AG01A	m #.5		7.45
	L 45520AG03A	m #.5		16.95
<i>#R&amp;R Complete</i>				
15 Hose, Trans Fluid Rear	R 45520AG04A	m #.5		5.43
	L 45520AG05A	m #.5		5.72
<i>#R&amp;R Complete</i>				

16 Pipe, Trans Fluid	45522AG00A	m	7	134.23
4 Speed	45522AG01A	m	7	42.42
5 Speed	R 73310AG04A	#.7		117.32
17 Blade/Motor, Fan	L 45121AG02A	#.7		199.95
	R 45149KA000	#.7		1.10
18 Nut, Fan	R/L 45122AG02A	#.7		24.37
19 Shroud, Fan	L 73313AG02A	#.7		23.53

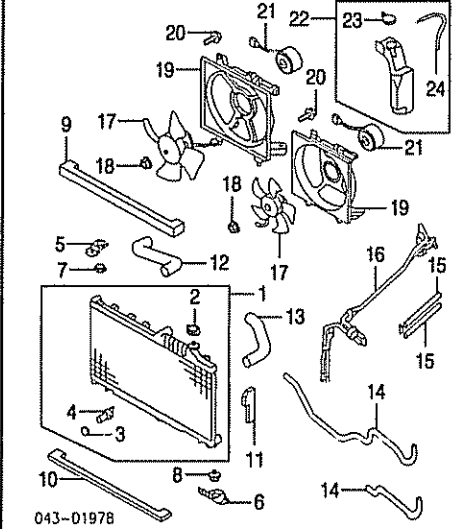
<i>#R&amp;R One Side Complete, R&amp;R Both Sides 1.0, w/Radiator</i>				
<i>Removed Deduct .4</i>				
20 Screw, Shroud Mtg (2/Side)	R/L 904586010			1.92
21 Tank Assy, Coolant	45150AG00A	.4		54.85
22 Cap, Tank (a)	45155AG00A			19.02
23 Hose, Coolant Tank (a)	45162AG02A			42.18
<i>(a) Included w/Coolant Tank Assy</i>				



26 Pump, Water	21111AA110	m	3.0	91.95
25 Gasket, Water Pump	21114AA051	m		2.55
26 Seal, Water Pump	14065AA240	m		40.87
27 Thermostat Assy	21210AA030	#.6		36.62
28 Gasket, Thermostat (b)	21236AA010	#.6		3.33
<i>(b) Included w/Thermostat Assy</i>				
29 Cover, Thermostat	11060AA071	#.6		16.00
<i>#R&amp;R Complete</i>				
30 Hose, By-Pass	807615081	5		9.95
31 Pipe, By-Pass	14065AA240	2.6		40.87

**6 CYL**

R&I Radiator Assy				9
-------------------	--	--	--	---



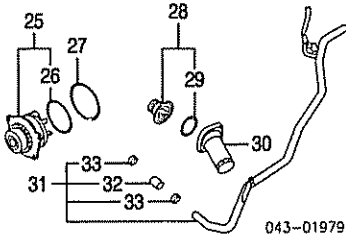
1 Radiator Assy	45111AG04A		9	340.48
2 Cap, Radiator	45137AE01A			18.35
3 O-Ring	45167TC000			1.08
4 Plug, Drain	745124060			5.63
<i>Included w/Radiator Assy</i>				
5 Bracket, Upr Radiator	R/L 45124AG00A			48.63
6 Bracket, Lwr Radiator	R/L 45124AG01A			49.25
7 Cushion, Upper Radiator	R/L 45135AE03A			2.84
8 Cushion, Lower Radiator	R/L 45135FE000			1.98
9 Seal, Upper Radiator	45167AE00A			15.52
10 Seal, Lower Radiator	45167AG01A			4.98
11 Seal, Side Radiator	R/L 45167AG00A			4.07
12 Hose, Upper Radiator	45161AG03A	#.6		13.78
13 Hose, Lower Radiator	45161AG05A	#.6		13.87
<i>#R&amp;R Both 1.0</i>				
14 Hose, Trans Fluid Front	R 45520AG02A	m #.5		17.40
	L 45520AG00A	m #.5		8.40
<i>#R&amp;R Complete</i>				
15 Hose, Trans Fluid Rear	R 45520AG04A	m #.5		5.43
	L 45520AG05A	m #.5		5.72
<i>#R&amp;R Complete</i>				
16 Pipe, Trans Fluid	45522AG01A	m	7	42.42
17 Blade, Fan	R 73311AG00A	#.7		25.95
	L 45121AG01A	#.7		36.62
18 Nut, Fan	R/L 023705000	#.7		.08
19 Shroud, Fan	R 73313AG01A	#.7		59.95
	L 45122AG01A	#.7		45.43

# SUBARU LEGACY/OUTBACK 2005

## COOLING Cont'd

### 6 CYL Cont'd

20	Bolt, Shroud (2/Side)	R/L 800506410	m	.8	88
21	Motor, Fan	R 73312AG00A L 45131AG00A	#.7	244.20	199.98
<b>#R&amp;R One Side Complete, R&amp;R Both Sides 1.0, w/Radiator Removed Deduct .4</b>					
22	Tank Assy, Coolant	45150AG00A	.4	54.85	
23	Cap, Tank (a)	45155AG00A		19.02	
24	Hose, Coolant Tank (a)	45162AG02A		42.18	
<i>(a) Included w/Coolant Tank Assy</i>					

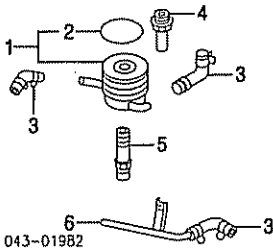


043-01979

25	Pump Assy, Water	21110AA360	m	3.6	103.28
26	Gasket, Water Pump (b)	806970030	m		3.42
<i>(b) Included w/Water Pump Assy</i>					
27	O-Ring	806982030	#.6	3.58	
28	Thermostat Assy	21210AA080	#.6	32.67	
29	Gasket, Thermostat (c)	21236AA010	#.6	3.33	
<i>(c) Included w/Thermostat Assy</i>					
30	Cover, Thermostat	11060AA150	#.6	17.15	
<b>#R&amp;R Complete</b>					
31	Pipe Assy, Return	14165AA021	2.8	47.37	
32	Hose, Return (d)	807615030	.5	9.95	
33	Clamp, Hose (d) (2)	805922090		1.86	
<i>(d) Included w/Return Pipe Assy</i>					

## ENGINE OIL COOLER

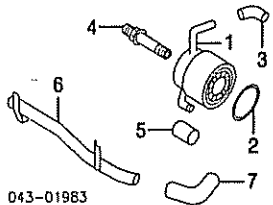
### 4 CYL



043-01982

1	Cooler Assy, Oil	21311AA051	m	1.0	158.83
2	Gasket, Oil Cooler	21370KA001	m		5.48
<i>Included w/Oil Cooler Assy</i>					
3	Hose, Oil Cooler (3)	807611031	m	3	9.95
4	Extension, Hose	21369AA040	m		34.32
5	Connector, Oil Cooler	21317AA022	m		42.12
6	Pipe, Oil Cooler	21328AA011	m	.7	28.90

### 6 CYL



043-01983

1	Cooler, Oil	21311AA090	m	1.0	158.83
2	Gasket, Oil Cooler	21370KA001	m		5.48
3	Hose, Oil Cooler	21338AA060	m	.4	6.55
4	Connector, Oil Cooler	21317AA070	m		34.35
5	Hose, Return	807611090	m	.4	9.95
6	Pipe, Oil Cooler	21328AA120	m	.7	91.15
	To 2-04	21328AA121	m	.7	91.15
7	Hose, Cooler	807519061	m	.4	9.80

## A/C REFRIGERANT CAPACITIES

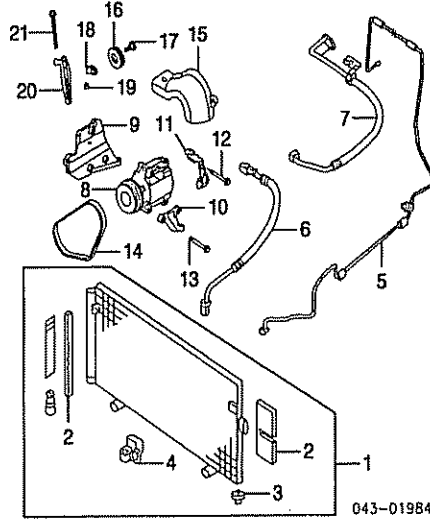
A/C R-134a Refrigerant Capacity  
2005: 13.0-15.0 Ozs (0.84-0.92 Lbs)

## A/C /HEATER/VENTILATION

Use Procedure Explanation 6 with the following text.

R&I Condenser	m	.8
Evacuate & Recharge System	m	1.4
Recover Refrigerant System	m	3

NOTE: R&R Does Not Include recover, evacuate and recharge system.

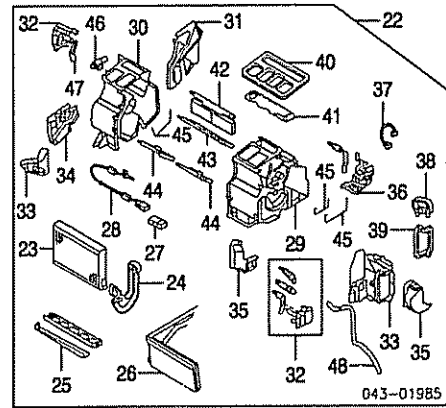


043-01984

1	Condenser Assy	73210AG01A	m	.8	299.95
2	Seal, Condenser Side	R 73237AG02A L 73237AG01A		2.10	4.90
3	Mount, Condenser	R/L 73274AG00A		1.93	
4	Bracket, Condenser	R 73452AG00A L 73452AG01A		19.95	14.52
<i>Included w/Condenser Assy</i>					
5	Pipe, Condenser	73431AG01A	m	.8	101.95
6	Hose, Discharge	73424AG01A 6 Cyl 73424AG00A	m	.5	65.38 73.57
7	Hose, Suction	4 Cyl 73425AG06A w/Turbo 73425AG04A w/o Turbo 6 Cyl 73425AG05A	m	.6	100.03 98.80 101.38
8	Compressor	4 Cyl 73111AG000 6 Cyl 73111AG010	m	9	499.96 799.79
<b>Bracket, Compressor</b>					
9	No. 1	4 Cyl 23950AA020 6 Cyl 23950AA030		101.27	101.27
10	No. 2	4 Cyl 23951AA020 6 Cyl 23951AA030		57.20	57.20
11	No. 3	4 Cyl 73633AG000 6 Cyl 73633AG010		26.62	34.32
12	Bolt, Upper	800708710		2.22	
13	Bolt, Lower (2)	800708720		2.97	
14	Belt, Compressor	4 Cyl 809214470 w/Turbo 809214500 w/o Turbo 6 Cyl 809221080	m	.6	19.95 10.75 32.95
15	Cover, Belt	73770AC010	m	21.40	
16	Pulley, Idler	4 Cyl 73131FC000 w/Turbo 73131AC010 w/o Turbo	#.8	32.67	25.80
17	Shaft, Idler Pulley	4 Cyl 73132AC000	#.8	8.82	
18	Adjuster, Pulley	4 Cyl 73134AC001	#.8	6.54	
19	Nut, Adjuster (2)	4 Cyl 73092AA000	#.8	.60	
20	Bracket, Idler Pulley	4 Cyl 73610AC000 w/Turbo 73610AC010 w/o Turbo	#.8	21.50	21.50
21	Bolt, Bracket	4 Cyl 73790AC100	#.8	2.40	
<b>#R&amp;R Complete, Includes R&amp;R Drive Belt</b>					

Illustration Located in Next Column

22	Evaporator/Heater Assy	4 Cyl w/Turbo 72110AG06A w/o Turbo 2.5i Model 72110AG04A 2.5i Limited Model 72110AG05A 6 Cyl 72110AG06A	m	#.8	345.53
<b>#w/Instrument Panel Removed</b>					
23	Core, Evaporator (a)	73523AG01A	m	#1.5	109.95
24	Pipe, Evaporator (a)	73551AG010	m	#1.5	155.95
<b>#R&amp;R Complete, w/Instrument Panel Removed</b>					

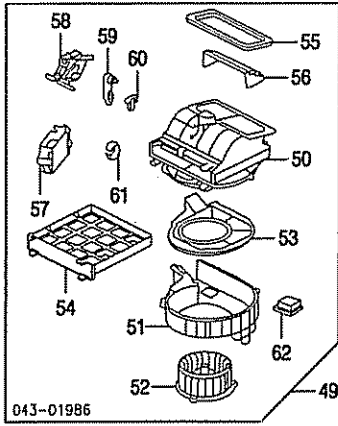


043-01985

25	Insulator, Evaporator (a)	73542AG03A	m	#1.2	20.08
26	Core, Heater (a)	72130AG01A	m	#1.2	67.48
<b>#w/Instrument Panel Removed</b>					
27	Valve, Expansion (a)	73531AG010	m		134.62
28	Thermistor (a)	4 Cyl w/Turbo 73540AG010 w/o Turbo 2.5i Model 73540AG010 2.5i Limited Model 73540AG030 6 Cyl 73540AG010	m		101.58 101.58 38.72 101.58
29	Case, Heater Right (a)	4 Cyl w/Turbo 72120AG06A w/o Turbo 2.5i Model 72120AG07A 2.5i Limited Model 72120AG06A 6 Cyl 72120AG08A	m		48.83 48.83 48.83 48.83 48.83
30	Case, Heater Left (a)	72120AG08A	m		48.83
31	Plate, Case Mount (a)	Manual 72144AG04A Auto 4 Cyl w/Turbo 72144AG02A w/o Turbo 2.5i Model 72144AG03A 2.5i Limited Model 72144AG02A 6 Cyl 72144AG05A	m		8.68 7.03 7.03 7.03 7.03 7.03
32	Motor, Actuator (a)	R 72131AG11A L 72131AG12A R 72127AG13A L 72127AG15A	m	#.4	54.95 54.95 28.72 17.45
33	Duct (a)	72126AG12A R 72127AG17A L 72127AG16A 72131AG10A	m		11.15 9.50 12.30 78.38
34	Cover, Pipe (a)		m		11.15
35	Duct, Foot (a)		m		9.50
36	Motor, Mode (a)	#w/Instrument Panel Removed	m	#.4	78.38
37	Harness, Heater (a)	4 Cyl w/Turbo 72352AG02A w/o Turbo 2.5i Model 72352AG01A 2.5i Limited Model 72352AG02A 6 Cyl 72352AG02A	m		53.25 17.08 53.25 53.25 53.25
38	Cover, Expansion Valve (a)	72126AG14A	m		21.07
39	Gasket, Cover (a)	72133AG00A	m		3.62
40	Seal, Upper (a)	72133AG02A	m		12.38
41	Cover, Defroster Vent (a)	72126AG05A	m		11.15
42	Door, Defroster (a)	72162AG06A	m		17.12
43	Door, Heater (a)	72162AG05A	m		17.20
44	Door, Mix (a)	Right 4 Cyl w/Turbo 72162AG07A w/o Turbo 2.5i Model 72162AG08A 2.5i Limited Model 72162AG07A 6 Cyl Left 72162AG09A	m		15.43 17.20 17.20 15.43 14.98
45	Seal, Heater Cover (a)	Right Outer 72133AG08A Right Inner 72133AG09A Left 72133AG040	m		2.47 2.38 2.63
46	Cover, Duct (a)	72126AG040	m		16.17
47	Lever, Motor (a)	72122AG06A	m		3.05
48	Hose, Heater (a)	72442AG01A	m		10.17
<i>(a) Included w/Evaporator/Heater Assy</i>					

Illustration Located in Next Column

49	Blower Assy	4 Cyl w/Turbo 72210AG06A w/o Turbo 2.5i Model 72210AG04A 2.5i Limited Model 72210AG06A 6 Cyl 72210AG06A	m	1.2	349.95
50	Case, Upper Blower (b)	72213AG04A	m		51.80
51	Case, Lower Blower (b)	72213AG03A	m		48.10
52	Fan & Motor (b)	72223AG01A	m	.8	25.95



53 Plate, Blower (b)	72228AG03A	m	18.77
54 Filter (b)	73553AG02A	m	20.62
55 Gasket, Blower (b)	72218AG00A	m	4.07
56 Shutter, Blower (b)	72233AG00A	m	14.90
57 Control, Blower (b)	72343AG01A	m	206.52
58 Servo, Blower (b)	72131AG08A	m	48.92
59 Lever (b)			
59 No. 1	72216AG00A	m	1.73
60 No. 2	72215AG02A	m	1.98
61 Spring (b) (2)	72238AG00A	m	1.54
62 Resistor (b)			
4 Cyl			
w/Turbo	73533AG000	m	7 51.55
w/o Turbo			
2.5i Model	73532AG000	m	7 19.38
2.5i Limited Model	73532AG000	m	7 19.38
6 Cyl	73532AG000	m	7 19.38

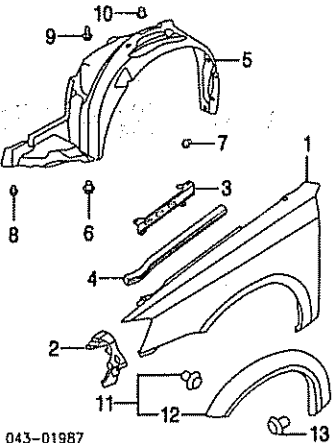
043-01986

043-01987

**FRONT FENDER**

Use Procedure Explanations 7 and 28 with the following text.

Refinish Front Fender	R/L	1.9
Add to Edge	R/L	.5
Refinish Wheel Opening Moulding	R/L	.5
R&I Fender Assy	R/L	#2.5
<i>#Includes R&amp;I Front Cover, R&amp;I/R&amp;R Combination Lamp Assy, R&amp;I Both Sides 3.5</i>		
R&I Wheel Opening Moulding	R/L	.3
R&I Mudguard	R/L	.2
Add to R&I/R&R Fender		
w/Wheel Opening Moulding	R/L	.3
w/Mudguards	R/L	.2



1 Fender			
Legacy	R 57110AG04A9P	#2.8	199.95
	L 57110AG05A9P	#2.8	199.95
Outback	R 57110AG06A9P	#2.8	199.95
	L 57110AG07A9P	#2.8	199.95
<i>#Includes R&amp;I Front Cover, R&amp;I/R&amp;R Combination Lamp Assy &amp; Wheel Opening Moulding, R&amp;I Both Sides 4.1</i>			
2 Reinforcement, Fender	R 57140AG06A9P		21.97
	L 57140AG07A9P		21.97
3 Bracket, Fender	R 57160AG00A9P		16.13
	L 57160AG01A9P		16.13
4 Seal, Hood/Fender-See Hood Section			
5 Liner, Fender			
Legacy	R 59120AG04A	.4	105.05
	L 59120AG05A	.4	105.05
Outback	R 59120AG06A	.4	100.65
	L 59120AG07A	.4	100.65
6 Clip, Liner			
No. 1 (2/Side)	R/L 909140067		70

7 No. 2 (3/Side)	R/L 909130051		98
8 No. 3	R/L 909130067		98
<i>(As Required)</i>			
9 Screw, Liner	R/L 59132AA010		.64
10 Grommet	R/L 909300029		98
<i>(As Required)</i>			
11 Moulding Assy, Wheel Opening			
Atlantic Blue	R 91112AG22ABE	.3	168.55
	L 91112AG23ABE	.3	168.55
Black	R 91112AG22AVW	.3	166.88
	L 91112AG23AVW	.3	166.88
Gold	R 91112AG22AGA	.3	168.17
	L 91112AG23AGA	.3	168.17
Gray	R 91112AG22ALV	.3	0.00
	L 91112AG23ALV	.3	0.00
Green	R 91112AG22AFY	.3	167.88
	L 91112AG23AFY	.3	167.88
Red	R 91112AG22ARD	.3	0.00
	L 91112AG23ARD	.3	0.00
Silver	R 91112AG22ATE	.3	167.22
	L 91112AG23ATE	.3	167.22
White	R 91112AG22AWH	.3	205.07
	L 91112AG23AWH	.3	205.07
Paint to Match	R 91112AG22ANN	.3	132.70
	L 91112AG23ANN	.3	132.70
12 Clip, Moulding (a)	R/L 909130109		98
<i>(As Required)</i>			
<i>(a) Included w/Wheel Opening Moulding Assy</i>			
13 Rivet, Moulding	R/L 59130AA000		.84
Mudguard	R/L N.A.	2	0.00

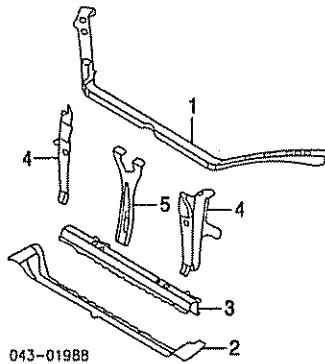
**UNDERHOOD DIMENSIONS**

Information not available at time of publication.

**FRONT INNER STRUCTURE**

Use Procedure Explanations 8 and 28 with the following text.

<b>FRONT</b>	
Refinish Radiator Support Complete	1.5
Refinish Upper Tie Bar	.5
Refinish Lower Tie Bar	.5
Refinish Side Support Panel	R/L 5
Refinish Hood Latch Support	.3
R&R Radiator Support Complete	s #6.5
<i>#Includes R&amp;I/R&amp;R Combination Lamp Assemblies, Radiator, Fan Motor, Blade &amp; Shroud as an Assy, Coolant Tank, Battery, Hood Latch, Power Steering Reservoir, Hood Support Stay, Air Cleaner Inlet, Horns, Upper Tie Bar, Inner &amp; Outer Lower Tie Bars, Side Support Panels, Hood Latch Support, Disconnect &amp; Connect Hood Release Cable, Wiring &amp;/or Harness</i>	
Add to R&R Radiator Support Assy	
To R&R Base Model Mechanical Components	m #2
<i>#Includes R&amp;I/R&amp;R A/C Condenser</i>	
w/Auto Trans.	m 2
To Air Lamps	.4
Evacuate & Recharge System	m 1.4
Recover Refrigerant	m .3

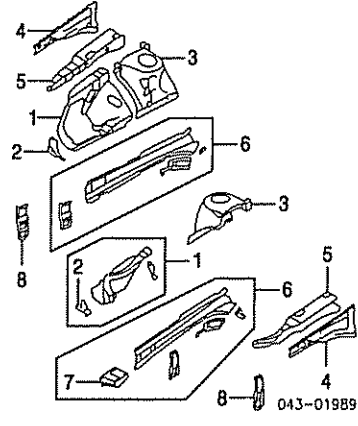


043-01988

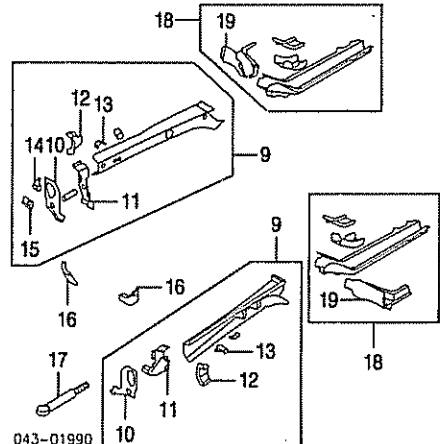
1 Bar, Upper Tie	53060AG00A9P	s 1.5	24.95
2 Bar, Outer Lower Tie	51231AG00A9P	s #2.0	31.48
3 Bar, Inner Lower Tie	53060AG02A9P	s #2.0	27.93
<i>#R&amp;R Complete</i>			
4 Panel, Side Support	R 53020AG00A9P	s 1.5	24.95
	L 53020AG01A9P	s 1.5	24.95
5 Support, Hood Latch	53040AG02A9P	.3	24.95

**SIDE**

Refinish Apron/Side Rail Assy	R/L	2.0
Refinish Front Apron	R/L	.5
Refinish Rear Apron	R/L	.5
Refinish Apron Upper Ctr Rein.	R/L	.5
Refinish Front Rail Assy	R/L	1.0



1 Apron Assy, Front	R 51610AG00A9P	s 4.5	99.52
	L 51609AG01A9P	s 4.5	139.35
2 Bracket, Apron			
Right	51625AG20A9P		35.35
Left	51625AG64A9P		27.45
<i>#Included w/Front Apron Assy</i>			
3 Apron, Rear	R 51625AG57A9P	s #3.0	125.15
	L 51625AG01A9P	s #3.0	116.92
<i>#w/Front Apron Removed</i>			
4 Reinf, Upr Outer Apron	R 51021AG04A9P	# 61.5	30.53
	L 51021AG05A9P	# 61.5	30.53
5 Reinf, Upr Inr Apron	R 51610AG02A9P	s #1.5	69.90
	L 51610AG03A9P	s #1.5	75.25
<i>#R&amp;R One Side Complete</i>			
6 Plate Assy, Closing	R 51615AG08A9P	s 1.5	105.55
	L 51615AG09A9P	s 1.5	105.70
7 Bracket, Battery (a)	L 51636AG02A9P		36.13
<i>(a) Included w/Closing Plate Assy</i>			
8 Hook, Tie-Down	R 51639AG00A9P		39.50
	L 51639AG01A9P		39.50



043-01990

9 Rail Assy, Front	R 51629AG02A9P	s #7.5	180.57
	L 51629AG03A9P	s #7.5	176.32
<i>#w/Side Panel Removed Deduct 5, w/Front Apron Panel Removed Deduct 3.0</i>			
10 Plate, Front Rail (b)	R 51635AG00A9P		38.97
	L 51635AG01A9P		38.97
11 Gusset, Rail (b)	R 51689AG00A9P		24.98
	L 51689AG01A9P		24.98
12 Bracket, Bumper (b)	R 51625AG12A9P		31.23
	L 51625AG13A9P		31.23
13 Separator, Side Sill (b)	R 51632AG08A9P		16.92
	L 51632AG09A9P		16.92
14 Plate, Upper (b)	R 51635AG09A9P		14.68
15 Plate, Lower (b)	R 51635AG10A9P		14.68
<i>(b) Included w/Front Rail Assy</i>			
16 Gusset, Front	R 51686AG14A9P		23.58
	L 51686AG15A9P		23.58
17 Hook, Front	57805AG00A		16.67
18 Rail Assy, Rear	R 51620AG20A9P	s #5.5	240.87
	L 51620AG21A9P	s #5.5	242.00
<i>#R&amp;R Front &amp; Rear Rail Assemblies 9.5</i>			
19 Reinf, Toe Board (c)	R 51630AG36A9P		51.10
	L 51630AG37A9P		51.10
<i>(c) Included w/Rear Rail Assy</i>			

**ELECTRICAL COMPONENTS**

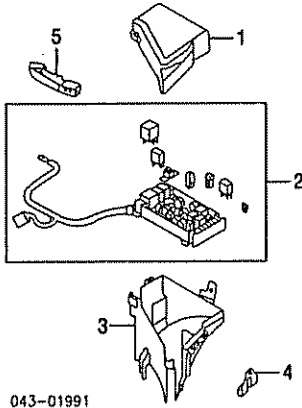
Illustration Located in Next Column

1 Cover, Fuse Box Upper	82243AG00A	.1	44.18
-------------------------	------------	----	-------

# SUBARU LEGACY/OUTBACK 2005

## FRONT INNER STRUCTURE Cont'd

### ELECTRICAL COMPONENTS Cont'd



2 Box, Fuse				
4 Cyl	82290AG00A	m	140.97	
6 Cyl	82290AG01A	m	150.08	
3 Cover, Fuse Box Lower	82243AG01A	m	47.20	
4 Bracket, Fuse Box	81041AG08A		48.52	
5 Protector, Harness	81931AG07A		2.60	

## AIR BAG SYSTEM

Use Procedure Explanation 30 with the following text.

**NOTE 1:** R&R Does Not include disable and enable or diagnose Air Bag System.

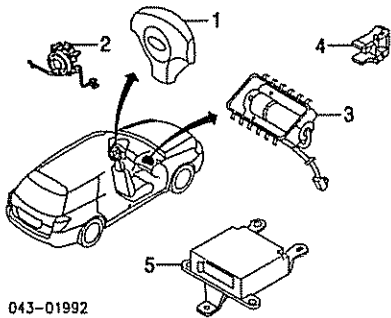
**NOTE 2:** Refer to Procedural Explanation 30 for Supplemental Restraint/Air Bag System Component Inspection and Replacement Information.

**NOTE 3:** For Air Bag System Service procedures, refer to Manufacturer's Service Repair Manual or Mitchell's Air Bag Service and Repair Manual.

### FRONT

Disable & Enable Air Bag System	m	.3	
Diagnose Air Bag System (If Required)	m	.5	

#Includes Disconnect & Connect Scan Tool & Retrieve/Clear Trouble Codes



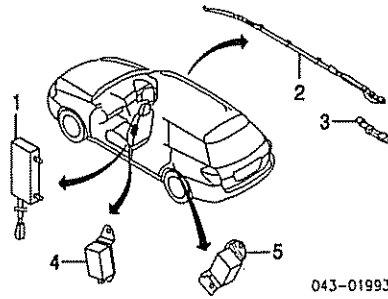
1 Module, Driver Air Bag	98211AG01AJC	m	.3	541.84
2 Clockspring (a)				
w/Vehicle Dynamic Control	83196AG010	m	.9	252.35
w/o Vehicle Dynamic Control	83196AG02A	m	.9	53.20
(a) Included w/Combination Switch Assy-listed in Steering Wheel/Column Section				
3 Module, Passenger Air Bag	98271AG01A	m	.5	274.03
#w/Instrument Panel Removed				
4 Sensor, Front Impact	R/L 98231AG01A	m	.3	79.95
#w/Front Bumper Removed				
5 Control, Air Bag Module				
Legacy	98221AG08A	m	.4	386.48
Outback	98221AG04A	m	.4	386.75

#w/Center Console Removed

### SIDE

Disable & Enable Air Bag System	m	.3	
Diagnose Air Bag System (If Required)	m	.5	

#Includes Disconnect & Connect Scan Tool & Retrieve/Clear Trouble Codes



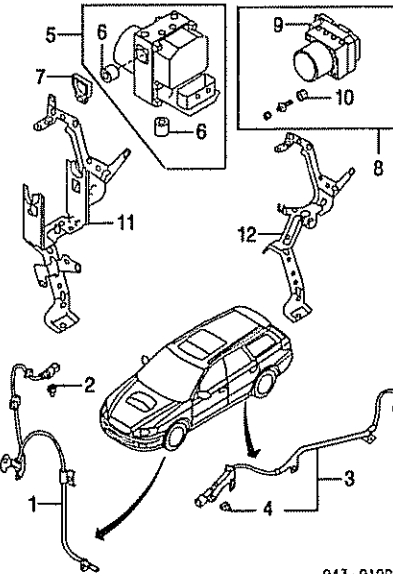
1 Module, Side Air Bag	R 98201AG02A	m	.7	143.00
	L 98201AG03A	m	.7	143.00
#w/Front Seat Assy Removed				
2 Air Bag, Side Curtain				
Legacy				
Sedan				
2.5 GT, 2.5i Model	R 98251AG10A	m	.8	284.95
	L 98251AG11A	m	.8	284.95
2.5GT Limited, 2.5i Limited Model	R 98251AG08A	m	.8	268.58
	L 98251AG09A	m	.8	268.58
Wagon				
2.5 GT, 2.5i Model	R 98251AG12A	m	.8	293.32
	L 98251AG13A	m	.8	293.00
2.5GT Limited, 2.5i Limited Model	R 98251AG06A	m	.8	287.02
	L 98251AG07A	m	.8	287.02
Outback				
Sedan	R 98251AG08A	m	.8	268.58
	L 98251AG09A	m	.8	268.58
Wagon				
2.5i, 3.0R Model	R 98251AG12A	m	.8	293.32
	L 98251AG13A	m	.8	293.00
2.5i, 2.5XT Limited Model	R 98251AG06A	m	.8	287.02
	L 98251AG07A	m	.8	287.02
3.0R Limited Model	R 98251AG06A	m	.8	287.02
	L 98251AG07A	m	.8	287.02
L.L. Bean Model	R 98251AG06A	m	.8	287.02
	L 98251AG07A	m	.8	287.02
#w/Headliner & Rear Quarter Trim Removed				
3 Pad, Air Bag Module				
Wagon	R 98256AG02A			27.99
	L 98256AG03A			30.25
Pre-tensioner, Seat Belt]-See Seat Belts Section				
#Serviced w/Seal Belt				
4 Sensor, Side Air Bag	R 98235AG02A	m	.3	118.02
	L 98235AG03A	m	.3	124.45
#w/Center Pillar Trim Removed				
5 Sensor, Side Curtain Air Bag	R 98236AG02A	m	.3	119.63
	L 98236AG03A	m	.3	124.45

#w/Rear Seat Assy Removed

## ABS/BRAKES

Bleed System	m	.6	
--------------	---	----	--

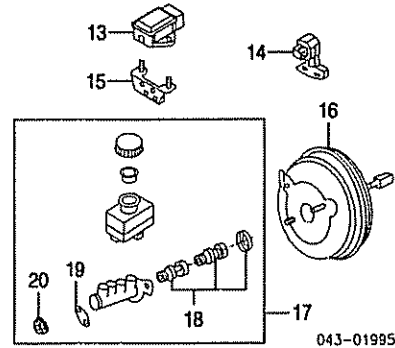
**NOTE:** R&R Does Not include bleed brake system.



1 Sensor, Front ABS	R 27540AG00A	m	.6	51.63
	L 27540AG01A	m	.6	52.05
2 Clip, Front Sensor	R/L 27583AG000			1.98
3 Sensor Assy, Rear ABS	R/L 27540AG04A	m	.6	52.17
4 Clip, Rear ABS Sensor]	R/L 27583AG000			1.98
#Included w/Rear ABS Sensor Assy				
5 Actuator Assy, ABS				
w/Vehicle Dynamic Control				

Sedan	27596AG100	m	1.2	1090.97
Outback	27596AG040	m	1.2	1090.97
6 Bushing, Actuator (a)				
Front (2)	27533AG030			10.62
Lower	27532AG020			13.35
(a) Included w/ABS Actuator Assy				
7 Holder, Front Bushing (2)	27533AG010			10.62
8 Actuator Assy, ABS				
w/o Vehicle Dynamic Control				
Legacy				
Man Trans	27594AG01A	m	1.0	411.11
Auto Trans	27594AG00A	m	1.0	411.11
Outback				
Man Trans	27594AG03A	m	1.0	411.11
Auto Trans	27594AG02A	m	1.0	411.11
9 Control, Electronic (b)				
Legacy				
Man Trans	27529AG01A	m	1.0	301.70
Auto Trans	27529AG00A	m	1.0	301.70
Outback				
Man Trans	27529AG03A	m	1.0	301.70
Auto Trans	27529AG02A	m	1.0	301.70
10 Damper, Actuator (b) (2)	27533AG020			10.62
(b) Included w/ABS Actuator Assy				
Bracket, Actuator				
11 w/Vehicle Dynamic Control	27537AG01A		.2	95.08
12 w/o Vehicle Dynamic Control	27537AG00A		.2	91.35

#w/Actuator Assy Removed



G-Sensor				
w/Vehicle Dynamic Control (c)	27542AG000	m	.5	847.81
14 w/o Vehicle Dynamic Control	27540AG05A	m	.5	94.10
(c) Includes Yaw Sensor				
15 Bracket, Sensor				
w/Vehicle Dynamic Control	27547AG00A			10.50
16 Booster, Brake				
Legacy				
2.5 GT, GT Limited Model	26402AG05A	m	#1.0	275.17
2.5i, 2.5i Limited Model	26402AG04A	m	#1.0	275.17
Outback	26402AG06A	m	#1.0	275.17
#Includes R&R Brake Master Cylinder				
17 Cylinder Assy, Brake Master (d)	26401AG010	m	.7	168.23
18 Repair Kit, Cylinder (d) (e)	26479AG000	m		96.72
(d) Order by Application				
19 Bracket, Cylinder (e)	26446AG000			6.55
20 Nut, Cylinder Mtg (e) (2)	26441AG010			54
(e) Included w/Brake Master Cylinder Assy				

## WHEEL

Use Procedure Explanation 10 with the following text.

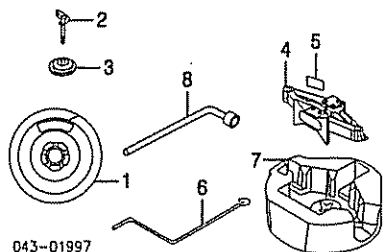
### ALLOY WHEEL

Add to R&I Spare Wheel & Tire Assy				.2
Wheel, Alloy				
Legacy				
2.5 GT, 2.5 GT Limited Model	28111AG04A		.3	275.00
2.5i, 2.5i Limited Model	28111AE21A		.3	249.95
Outback				
2.5i, 2.5i Limited Model	28111AG16A		.3	249.95
2.5 XT, 2.5 XT Limited Model	28111AE21A		.3	249.95
3.0R, 3.0R Limited Model	28111AG05A		.3	275.00
L.L. Bean Model	28111AG15A		.3	275.00
Cap, Wheel Center				
Legacy	28811AC110			39.95
Outback				
2.5i, 2.5i Limited Model	28811AC110			39.95
2.5 XT, 2.5 XT Limited Model	28811AE000			12.85
3.0R, 3.0R Limited Model	28811AE000			12.85
L.L. Bean Model	28821AG020			21.60
Valve, Stem	23142GA040			2.43
Nut, Lug	62306021			1.95

### SPARE WHEEL & HARDWARE

Illustration Located in Next Column

1 Wheel, Spare				
4 Cyl				
w/Turbo	28151FE030			102.93
w/o Turbo	28111AE34A			99.95
6 Cyl	28151FE030			102.93



043-01997

2 Bolt, Retainer	97052AE000	6.62
3 Retainer, Wheel	97052PA010	6.55
4 Jack		
Legacy	97032AG04A	69.13
Outback	97032AG05A	73.23
5 Label, Jack-See Information Labels Section		
6 Handle, Jack	97040AC000	44.32
7 Holder, Jack	97035AG02A	12.27
8 Wrench, Wheel Nut	97014AA000	13.18

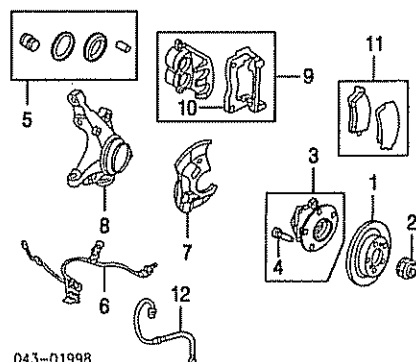
**FRONT SUSPENSION**

Use Procedure Explanation 11 with the following text.

R&L Suspension (One Side)	R/Lm	1.8
O/H Suspension (Includes R&L)		
One Side	R/Lm	4.2
Both Sides	m	8.0
Adjust Four Wheel Alignment	m	2.0
Adjust Front Alignment	m	1.3
Bleed Brake System	m	.6

NOTE 1: R&L/R&R or O/H Does Not include alignment or bleed brake system.

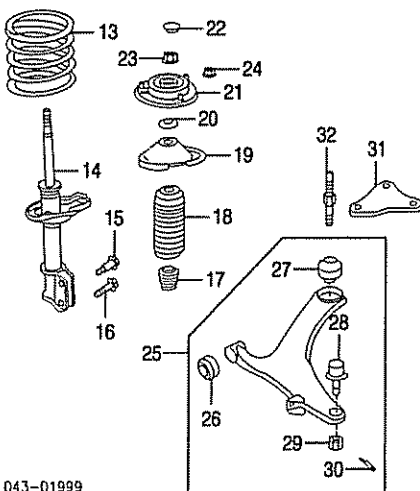
NOTE 2: All Parts in this section are included in overhaul unless noted otherwise.



043-01998

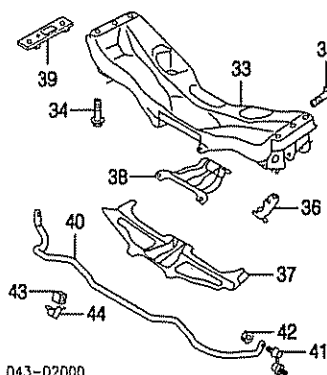
1 Rotor, Brake			
Legacy			
w/Turbo	R/L 26300AG000	m	6.6 101.13
w/o Turbo	R/L 26300AE00B	m	6.6 84.95
Outback			
4 Cyl			
w/Turbo	R/L 26300AE02B	m	6.6 84.95
w/o Turbo	R/L 26300AG000	m	6.6 84.95
6 Cyl	R/L 26300AE02B	m	6.6 84.95
<b>#R&amp;R Both 1.0</b>			
2 Nut, Axle	R/L 902170044	m	3.08
3 Hub Assy	R/L 26373AG00A	m	3.2 126.98
4 Bolt, Hub	R/L 26055AA002	m	2.23
<i>#Included w/Hub Assy</i>			
5 Seal Kit			
Legacy	26297AG000	m	28.55
Outback	26297AE00A	m	33.00
6 Sensor, Front ABS-See ABS/Brakes Section			
7 Shield, Splash			
Legacy	R/L 26290AG03A	m	3.2 17.45
Outback	R/L 26290AG02A	m	3.2 17.03
8 Knuckle, Steering	R/L 28313AG00A	m	3.2 105.30
<b>#R&amp;R One Side Complete, R&amp;R Both 6.0</b>			
9 Caliper Assy, Brake			
Legacy			
2.5 GT, 2.5 GT Limited Model	R 26292AG040	m	5.5 279.40
	L 26292AG050	m	5.5 279.40
2.5i Model	R 26292AE06A	m	5.5 227.67
	L 26292AE07A	m	5.5 227.67
2.5i Limited Model	R 26292AE04A	m	5.5 227.67
	L 26292AE05A	m	5.5 227.67
Outback	R/L 26292AE06A	m	5.5 227.67
10 Support, Caliper (a)			
Legacy			
2.5 GT, 2.5 GT Limited Model	R 26225AG040	m	5.5 66.98
	L 26225AG050	m	5.5 66.98
2.5i Model	R 26225AE010	m	5.5 45.13
	L 26225AE020	m	5.5 45.13
2.5i Limited Model	R 26225AE030	m	5.5 45.30
	L 26225AE040	m	5.5 45.30
Outback	R 26225AE030	m	5.5 45.30
	L 26225AE040	m	5.5 45.30

<i>(a) Included w/Brake Caliper Assy</i>			
<b>#R&amp;R One Side Complete, R&amp;R Both Sides .8</b>			
11 Pad Set, Brake			
Legacy			
2.5 GT, 2.5 GT Limited Model	26296AG000	m	1.0 94.88
2.5i, 2.5i Limited Model	26296FE081	m	1.0 87.50
Outback	26296AE160	m	1.0 87.50
<b>#Deduct .5 for Each Caliper Removed</b>			
12 Hose, Brake			
Legacy	R 26540AE01A	m	3.3 17.57
	L 26540AE03A	m	3.3 17.57
Outback	R 26540AE00A	m	3.3 16.92
	L 26540AE02A	m	3.3 16.92



043-01999

13 Spring, Coil (b)			
Legacy	R/L 20330AG02A	m	2.0 37.65
Outback	R/L 20330AG11A	m	2.0 39.30
<i>(b) Order by Application</i>			
14 Strut			
Legacy			
2.5 GT, 2.5 GT Limited Model	R 20310AG02A	m	2.0 116.62
	L 20310AG03A	m	2.0 116.62
2.5i, 2.5i Limited Model	R 20310AG00A	m	2.0 116.62
	L 20310AG01A	m	2.0 116.62
Outback	R/L 20310AG04A	m	2.0 116.62
15 Bolt, Adjusting	R/L 20540AG000	m	4.77
16 Bolt, Flange	R/L 20540AA100	m	3.22
17 Bumper			
Legacy	R/L 20321AA201	m	2.0 32.00
Outback	R/L 20321AG010	m	2.0 15.15
18 Cover, Strut	R/L 20322AG00A	m	2.0 21.23
19 Mount, Lwr Strut	R/L 20323AG00A	m	2.0 26.87
20 Spacer, Strut	R/L 20326AA000	m	2.0 -3.12
21 Mount, Uptr Strut	R/L 20320AG00A	m	2.0 33.08
22 Seal, Dust	R/L 20326AA120	m	2.0 2.95
<b>#R&amp;R One Side Complete, w/Knuckle Removed Deduct 1.4, R&amp;R Both Sides 3.8</b>			
Nut, Self-Locking			
23 No. 1	R/L 023512006	m	1.97
24 No. 2 (3/Side)	R/L 902350013	m	.69
25 Arm Assy, Control	R 20202AG00A	m	1.7 100.35
	L 20202AG01A	m	1.7 100.35
<b>#w/Knuckle Removed Deduct .7, R&amp;R Both Sides 2.4</b>			
26 Bushing, Front (c)	R/L 20204AG00A	m	4.4 10.70
27 Bushing, Rear (c)	R/L 20204AG01A	m	4.4 10.70
<b>#R&amp;R One Side Complete, w/Control Arm Assy Removed, Not Included in O/H</b>			
28 Joint, Ball (c)	R/L 21067GA050	m	8.8 36.98
<b>#w/Knuckle Removed Deduct .4</b>			
29 Nut, Arm (c)	R/L 023212010	m	.29
30 Pin, Cotter (c)	R/L 051803000	m	.08
<i>(c) Included w/Control Arm Assy</i>			
31 Plate, Control Arm			
Legacy	R 20216AG00A	m	4.4 15.07
	L 20216AG01A	m	4.4 14.98
Outback	R 20216AG050	m	4.4 17.98
	L 20216AG070	m	4.4 17.98
<b>#R&amp;R Both 6, Included in R&amp;R Control Arm, Not Included in O/H</b>			
32 Bolt, Control Arm	R/L 901370005	m	6.58
<i>Illustration Located in Next Column</i>			
33 Crossmember			
w/Turbo	20101AG01A	m	4.3 267.60
w/o Turbo	20101AG00A	m	4.3 206.23
<b>#Includes R&amp;R/R&amp;R Stabilizer Bar, Front Exhaust Pipe, Steering Gear Assy &amp; Engine Mounts, Not Included in O/H</b>			
Bolt, Crossmember			
34 No. 1 (2/Side)	R/L 901000242	m	2.13
35 No. 2	R/L 901000264	m	.74
Support, Crossmember			
w/Turbo	R/L 20107AG00A	m	39.50
w/o Turbo	R/L 20107AG010	m	17.98
38 Support, Jack	20510AG00A	m	77.65



043-02000

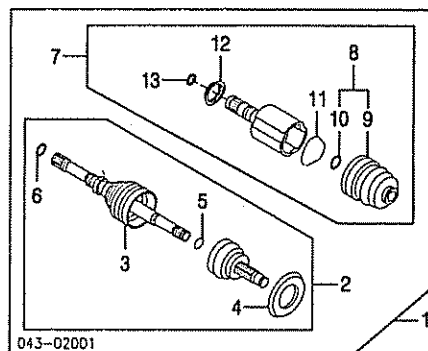
39 Adapter, Crossmember	R/L 20511AG000		40.87
40 Bar, Stabilizer			
Legacy			
w/Turbo	20401AG04A	m	6.6 51.23
w/o Turbo	20401AG03A	m	6.6 49.08
Outback			
w/Turbo	20401AG04A	m	6.6 51.23
w/o Turbo	20401AG00A	m	6.6 50.28
<b>#Includes R&amp;R Stabilizer Links, Bushings &amp; Brackets, Not Included in O/H</b>			
41 Link, Stabilizer	R/L 20420AG00A	m	3.3 19.05
<b>#Not Included in O/H</b>			
42 Nut, Link (2/Side)	R/L 902350001	m	1.74
43 Bushing, Stabilizer			
No. 1	R/L 20464AG05A	m	3.3 2.63
No. 2	R/L 20464AG08A	m	3.3 2.63
44 Bracket, Stabilizer	R/L 20416AG00A	m	3.3 47.98
<b>#R&amp;R One Side Complete, Not Included in O/H</b>			

**FRONT DRIVE AXLE**

R&L Axle Shaft Assy	R/Lm	4.4
O/H Axle Shaft Assy (Includes R&L)	R/Lm	11.2

*#w/Necessary Suspension Components Removed*

NOTE: All Parts in this section are included in overhaul unless noted otherwise.



043-02001

1 Shaft Assy, Axle	R/L 28321AG00A	m	4.4 359.95
<i>#w/Necessary Suspension Components Removed</i>			
2 Joint Assy, Outer	R/L 28391AG00A	m	5.5 d94.47
3 Boot, Outer Joint (b)	R/L 28323AG000	m	5.5 10.95
<b>#w/Axle Shaft Assy Removed</b>			
4 Baffle, Outer (b)	R/L 28337AG000	m	8.07
5 Circlip (b)	R/L 28033PA050	m	1.60
6 Ring, Snap (b)	R/L 28035TA040	m	8.85
<i>(b) Included w/Outer Joint Assy</i>			
7 Joint Assy, Inner	R/L 28392AG00A	m	5.5 d96.70
8 Boot Kit, Inner (c)	R/L 28397AG00A	m	5.5 d38.30
<b>#w/Axle Shaft Assy Removed</b>			
9 Boot, Inner (c) (d)	R/L 28323AG010	m	11.88
10 Circlip, Boot (c) (d)	R/L 28337AG000	m	8.07
<i>(d) Included w/Inner Boot Kit</i>			
11 Circlip, Inner (c)	R/L 28333AG000	m	4.73
12 Baffle, Inner (c)	R/L 28337AG010	m	8.07
13 Ring, Snap (c)	R/L 28035TA040	m	8.85
<i>(c) Included w/Axle Shaft Assy</i>			
<i>(c) Included w/Inner Joint Assy</i>			

**FRONT STEERING LINKAGE/GEAR**

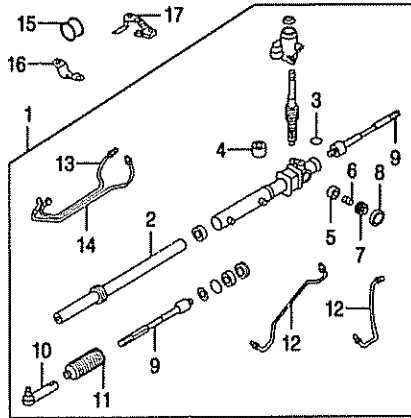
R&L Steering Gear Assy	m	2.7
O/H Steering Gear Assy (Includes R&L)	m	4.0

NOTE 1: R&L/R&R Does Not include adjust wheel alignment.

NOTE 2: All Parts in this section are included in overhaul unless noted otherwise.

# SUBARU LEGACY/OUTBACK 2005

## FRONT STEERING LINKAGE/GEAR Cont'd

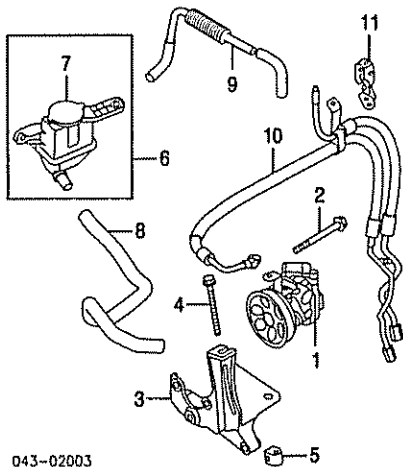


043-02002

1 Gear Assy				
Legacy	34110AG06A	m	2.9	516.74
Outback	34110AG05A	m	2.9	516.74
2 Rack				
Legacy	34116AG09A	m	4.0	00.00
Outback	34116AG06A	m	4.0	00.00
3 Seal, Valve	34192AG01A	m		0.00
4 Bushing, Strg Gear (2)	34112AG00A	m		21.40
5 Sleeve, Gear Box				
Legacy	34132AG01A	m		00.00
Outback	34132AG00A	m		00.00
6 Spring, Adjust	34130AG02A	m		00.00
7 Screw, Adjust	34133AG00A	m		0.00
8 Nut, Lock	34192AG00A	m		0.00
9 Rod, Inner Tie	R/L 34150AG00A	m	#.6	29.95
*w/Steering Gear Assy Removed, Includes R&R Boot & Tie Rod End, R&R Both Sides .9				
10 End, Tie Rod	R/L 34141AC010	m	.3	49.95
11 Boot	R 34137AG00A	m	#.6	20.95
	L 34137AG01A	m	#.6	0.00
*Includes R&R Tie Rod End				
12 Tube, Feed	R 34114AG04A	m		0.00
	L 34114AG05A	m		0.00
13 Pipe, Pressure	34114AG06A	m	#.7	14.90
14 Pipe, Return	34114AG07A	m	#.7	16.42
*Included w/Gear Assy				
*R&R Complete, w/Steering Gear Assy Removed				
15 Bushing, Mount	34151AG01A			0.00
16 Bracket, Bushing	34156AG05A			0.00
17 Stiffener, Steering Gear	34156AG03A			0.00

## STEERING PUMP

4 CYL

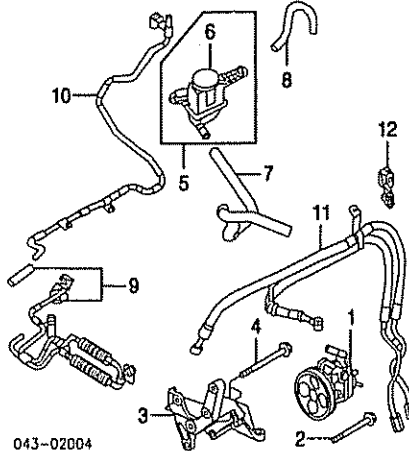


043-02003

1 Pump, Steering				
w/Turbo	34430AG040	m	1.5	468.74
w/o Turbo	34430AG03A	m	1.5	285.33
2 Bolt, Pump	34445FE060	m		3.70
3 Bracket, Pump/Alternator	22870AA140	m		58.80
4 Bolt, Bracket	34435AA030	m		5.32
5 Nut, Bracket	34436AA001	m		4.38
6 Tank Assy, Reservoir	34630AG00A	m	.5	39.75
7 Cap, Tank	34631AG00A			12.67
*Included w/Reservoir Tank Assy				
8 Hose, Suction	34611AG03B	m	.6	55.80

w/o Turbo	34611AG07A	m	.6	35.27
9 Hose, Return	34611AG00B	m	.8	135.35
10 Hose, Pwr Strg				
Legacy				
w/Turbo	34610AG05A	m	1.1	134.23
w/o Turbo	34610AG10A	m	1.1	122.50
Outback				
w/Turbo	34610AG12A	m	1.1	135.00
w/o Turbo	34610AG11A	m	1.1	123.60
11 Bracket, Strg Hose	34618AG00A			10.12

## 6 CYL



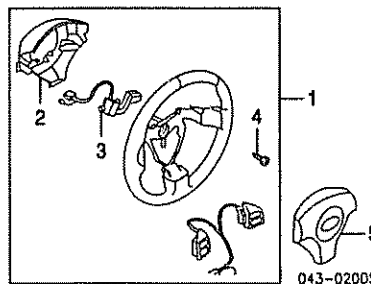
043-02004

1 Pump, Steering	34430AG011	m	1.5	468.74
2 Bolt, Pump	34445FE060	m		3.70
3 Bracket, Pump/Alternator	22870AA042	m		58.80
4 Bolt, Pump	961000193	m		2.80
5 Tank Assy, Reservoir	34630AG00A	m	.5	39.75
6 Cap, Tank	34631AG00A			12.67
*Included w/Reservoir Tank Assy				
7 Hose, Suction	34611AG05C	m	.6	38.27
8 Hose, Return	34611AG180	m	.8	16.33
9 Pipe, Front Cooler	34620AG060	m	#.9	111.03
10 Pipe, Rear Cooler	34620AG040	m	#1.1	73.82
*R&R Both 1.6				
11 Hose, Pwr Strg	34610AG08B	m	1.1	214.32
12 Bracket, Strg Hose	34618AG00A			10.12

## STEERING WHEEL/COLUMN

NOTE: All Parts in this section are included in overhaul unless noted otherwise.

## WHEEL & TRIM W/CRUISE CONTROL



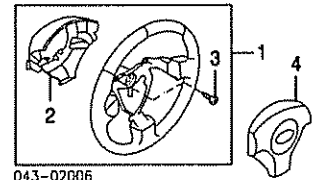
043-02005

1 Wheel Assy, Steering				
2.5 GT Model	34311AG13AJC	m	5	327.63
2.5 GT Limited Model				
Man Trans	34311AG13AJC	m	.5	327.63
Auto Trans	34311AG19AJC	m	.5	313.72
2.5 XT, 2.5 XT Limited Model	34311AG13AJC	m	.5	327.63
3.0R Model	34311AG11AJC	m	.5	254.28
3.0R Limited Model	34311AG18AJC	m	.5	415.15
L.L. Bean Model	34311AG18AJC	m	.5	415.15
2 Cover, Lower	34317AG02AJC			8.85
3 Switch, Cruise	83151AG02A	m	.3	52.17
4 Screw, Tapping (5)	34336FA000			2.02
*Included w/Steering Wheel Assy				
5 Module, Driver Air Bag-See Air Bag System Section				

## WHEEL & TRIM W/O CRUISE CONTROL

Illustration Located in Next Column

1 Wheel Assy, Steering				
------------------------	--	--	--	--

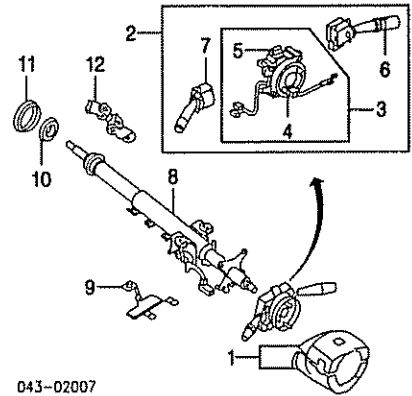


043-02006

2.5i Model	34311AG10AJC	m	.5	120.52
2.5i Limited Model	34311AG11AJC	m	.5	254.28
2 Cover, Lower	34317AG02AJC			8.85
3 Screw, Tapping (5)	34336FA000			2.02
*Included w/Steering Wheel Assy				
4 Module, Driver Air Bag-See Air Bag System Section				

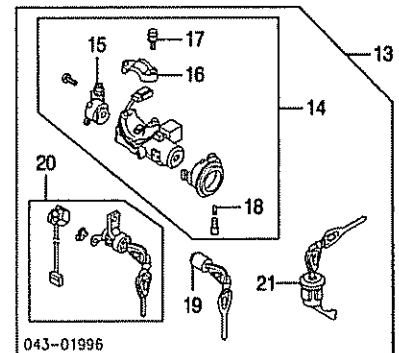
## COLUMN TILT

R&I Steering Column		m	1.3	
O/H Steering Column (Includes R&I)		m	2.4	



043-02007

1 Cover, Column	34341AG02AJC	m	.3	31.93
2 Switch Assy, Combination (a)				
w/Vehicle Dynamic Control	83111AG45B	m	.9	280.85
w/o Vehicle Dynamic Control	83111AG41B	m	.9	149.95
(a) Order by Application				
3 Body Assy, Switch (b)				
w/Vehicle Dynamic Control	83113AG010	m	1.0	14.12
w/o Vehicle Dynamic Control-Serviced by Components				
4 Clockspring (b) (c)-See Air Bag System Section				
5 Body, Switch (b) (c)	83119AG000	m	1.0	36.50
(c) Included w/Switch Body Assy				
6 Switch, Dimmer (a) (b)	83115AG041	m	.7	73.53
(a) Order by Application				
7 Switch, Wiper (b)				
Sedan	83114AG020	m	.7	27.23
Wagon	83114AG030	m	.7	34.82
(b) Included w/Combination Switch Assy				
8 Column, Steering	34500AG08A	m	1.8	173.73
Legacy				
Outback				
2.5i 2.5i Limited Model	34500AG09A	m	1.8	171.05
2.5 XT, 2.5 XT Limited Model	34500AG09A	m	1.8	171.05
3.0R, 3.0R Limited Model	34500AG10A	m	1.8	182.40
L.L. Bean Model	34500AG10A	m	1.8	182.40
9 Protector, Knee	34351AG00A	m		16.42
10 Seal, Column	34371AE000	m		2.25
11 Bushing, Steering	34361AG000	m		17.15
12 U-Joint				
Legacy	34170AG021	m		169.65
Outback	34170AG041	m		169.65



043-01996

13 Lock Set, Complete (a)				
Man Trans	57491AG24A	#		385.87
Auto Trans	57491AG25A	#		403.97
*Not Included in O/H				
14 Cylinder Assy, Ignition (a)				
Man Trans	83191AG08A	m	1.3	193.55



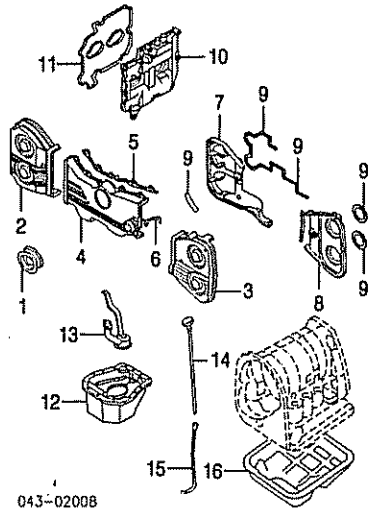
Auto Trans	83191AG09A	m	13	215.70
<i>(a) Order by Application</i>				
15 Switch, Ignition (d)	83131AG000	m	9	39.22
16 Bracket, Switch (d)	83141AG01A	m		0.00
17 Bolt, Bracket (d) (2)	83140GA000	m	104	
18 Bulb, Key Lamp (d)	84662AG030	m		17.12
<i>(d) Included w/Ignition Cylinder Assy</i>				
19 Cylinder, Glove Box Lock (See Instrument Panel Section)				
20 Cylinder, Door Lock (See Front Door Section)				
21 Cylinder, Lid Lock (See Luggage Lid Section)				
<i>Included w/Complete Lock Set</i>				

**ENGINE/TRANS**

Use Procedure Explanation 12 with the following text.

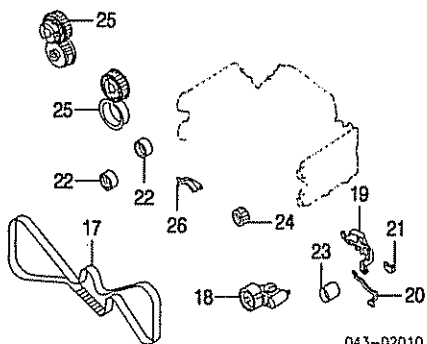
**4 CYL W/TURBO**

R&I Engine/Trans Assy ..... m 6.7



043-02008

1 Pulley, Crankshaft	12305AA251	m	5	119.95
2 Cover, Frt Right Timing Belt	13572AA092	m	5	22.88
3 Cover, Frt Left Timing Belt	13574AA094	m	5	24.52
4 Cover, Frt Center Timing Belt	13570AA044	m	#1.5	64.60
<i>#Includes R&amp;R Crankshaft Pulley &amp; Front Side Timing Covers</i>				
Seal, Center Cover				
5 Upper	13581AA050	m		19.43
6 Lower	13594AA000	m		14.37
<i>Cover, Timing Belt</i>				
7 Right Rear				
Man Trans	13573AA130	m		29.42
Auto Trans	13573AA120	m		29.42
8 Left Rear				
Man Trans	13575AA130	m		24.52
Auto Trans	13575AA103	m		24.52
<i>9 Seal, Rear Cover</i>				
No. 1	13583AA260	m		3.58
No. 2	13583AA270	m		2.13
No. 3	13583AA280	m		2.13
No. 4 (2)	13583AA290	m		2.13
<i>10 Cover, Valve</i>				
R	13276AA310	m	#2.4	95.35
L	13276AA270	m	#2.4	95.35
<i>#w/Air Cleaner Assy &amp; Intercooler Removed</i>				
11 Gasket, Valve Cover	R 13270AA190	m		9.95
L	13272AA140	m		9.95
12 Pan, Eng Oil	11109AA131	m	#2.0	105.17
<i>#w/Air Cleaner Assy &amp; Intercooler Removed</i>				
13 Strainer, Oil	15049AA070	m		24.52
14 Dipstick, Eng Oil	11140AA120			12.27
15 Tube, Eng Dipstick	15144AA011		5	21.07
<i>16 Pan, Trans Oil</i>				
4 Speed	31390AA081	m	8	53.90
5 Speed	31390AA110	m	8	53.90



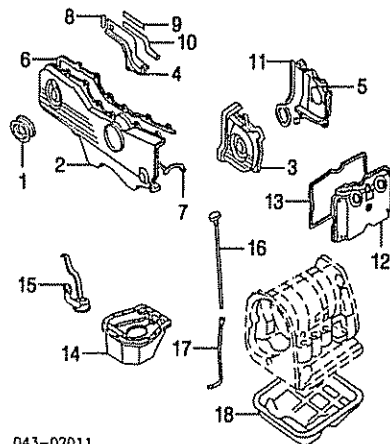
043-02010

17 Belt, Timing	13028AA200	m	#3.3	129.95
-----------------	------------	---	------	--------

<i>#Includes R&amp;R Crankshaft Pulley &amp; Outer Timing Covers</i>				
18 Adjuster, Belt Tensioner	13033AA040	m	#2	123.45
19 Bracket, Tensioner	13156AA062	m		31.02
20 Seal, Front Bracket	13091AA060	m		4.92
21 Seal, Rear Bracket	13091AA050	m		2.07
<i>Idler, Pulley</i>				
22 No. 1 (2)	13073AA142	m	#1	83.28
23 No. 2	13073AA230	m	#1	40.87
24 No. 3	13073AA142	m	#1	83.28
25 Sprocket, Camshaft	R 13328AA000	m	#2	168.23
L	13322AA000	m	#2	168.23
<i>#w/Timing Belt Removed</i>				
26 Guide, Timing Belt	13145AA021	m		5.35

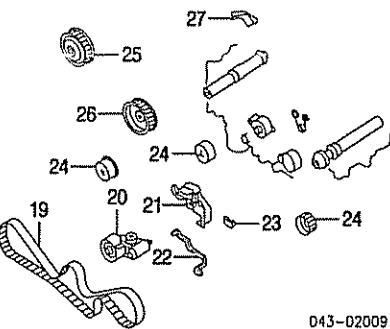
**4 CYL W/O TURBO**

R&I Engine/Trans Assy ..... m 5.3



043-02011

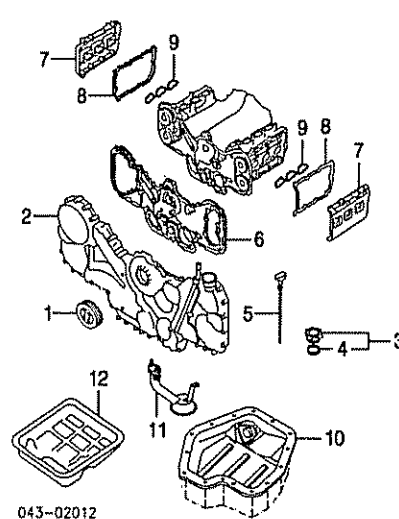
1 Pulley, Crankshaft	12305AA251	m	8	119.95
2 Cover, Frt Right Timing Belt	13570AA12B	m	#1.5	29.58
3 Cover, Frt Left Timing Belt	13574AA10A	m	#5	18.02
<i>#R&amp;R Both 1-8, Includes R&amp;R Crankshaft Pulley</i>				
<i>Cover, Timing Belt</i>				
4 Right Rear	13573AA11B	m		14.20
5 Left Rear	13575AA12A	m		16.58
<i>Seal, Right Front Cover</i>				
6 Upper	13594AA041	m		20.37
7 Lower	13594AA06B	m		46.60
<i>Seal, Right Rear Cover</i>				
8 No. 1	13583AA22A	m		37.28
9 No. 2	13583AA23A	m		37.28
10 No. 3	13583AA24A	m		51.88
<i>11 Seal, Left Rear Cover</i>				
R	13586AA041	m		8.60
L	13264AA143	m	8	49.00
L	13276AA220	m	8	49.00
<i>12 Cover, Valve</i>				
R/L	13294AA053	m		13.95
14 Pan, Eng Oil	11109AA091	m	#2.0	107.53
<i>#w/Air Cleaner Assy Removed</i>				
15 Strainer, Oil	15050AA050	m		21.93
16 Dipstick, Eng Oil	11140AA140			12.27
17 Tube, Eng Dipstick	15144AA070		5	16.33
<i>18 Pan, Trans Oil</i>				
4 Speed	31390AA081	m	8	53.90
5 Speed	31390AA110	m	8	53.90



043-02009

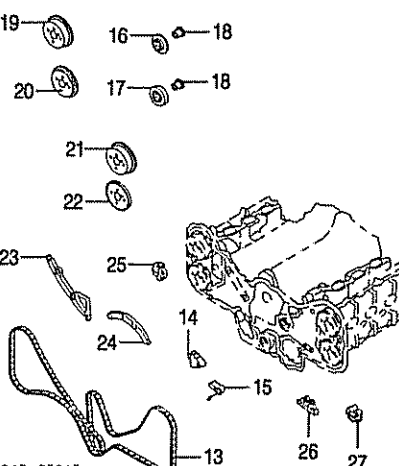
19 Belt, Timing	13028AA21B	m	#2.5	59.95
<i>#Includes R&amp;R Crankshaft Pulley &amp; Outer Timing Covers</i>				
20 Adjuster, Belt Tensioner	13033AA040	m	#2	123.45
21 Bracket, Tensioner	13156AA052	m		31.02
22 Seal, Front Bracket	13091AA060	m		4.92
23 Seal, Rear Bracket	13091AA050	m		2.07
<i>24 Idler, Pulley</i>				
No. 1	13073AA142	m	#1	83.28
No. 2	13073AA190	m	#1	40.87
No. 3	13085AA060	m	#1	59.38
25 Sprocket, #1 Camshaft	13017AA05D	m	#2	25.43
26 Sprocket, #2 Camshaft	13019AA10B	m	#2	31.32
<i>#w/Timing Belt Removed</i>				
27 Guide, Timing Belt	13145AA021	m		5.35

**6 CYL**



043-02012

1 Pulley, Crankshaft	12305AA290	m	6	112.95
2 Cover, Frt Outer Eng	13117AA010	m	#1.4	280.38
<i>#Includes R&amp;R Crankshaft Pulley</i>				
3 Cap Assy, Oil Filter	15255AA100			9.02
4 Gasket, Oil Filter Cap (1)	803942020			3.95
<i>#Included w/Oil Filter Cap Assy</i>				
5 Dipstick/Tube, Eng Oil	11140AA130		.5	12.27
6 Cover, Inr Eng	13119AA020	m		327.67
7 Cover, Valve	R 13265AA320	m	.8	134.58
L	13278AA250	m	.8	134.58
8 Gskt, Otr Valve Cover	R 13270AA180	m		22.10
L	13272AA130	m		22.10
9 Gskt, Inr Valve Cover (3/5 Side)	R/L 13293AA051	m		6.17
10 Pan, Engine Oil	11109AA122	m	#1.0	100.93
<i>#w/Engine Removed</i>				
11 Strainer, Oil	15050AA090	m		29.42
12 Pan, Trans Oil	31390AA110	m	.8	53.90

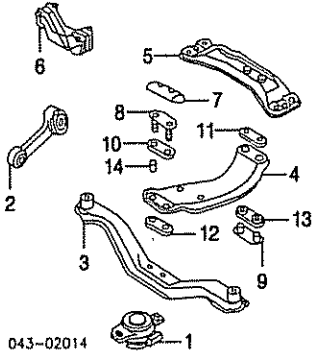


043-02013

13 Belt, Timing	13143AA021	m	#3.4	59.95
<i>#R&amp;R Complete</i>				
<i>Tensioner, Timing</i>				
14 No. 1	13142AA030	m		68.58
15 No. 2	13142AA020	m		68.58
<i>Pulley, Idler</i>				
16 No. 1	13146AA030	m		32.67
17 No. 2	13146AA020	m		40.87
<i>18 Shaft, Idler Pulley (2)</i>				
Sprocket, Camshaft	13149AA001	m		16.33
19 No. 1	13223AA080	m		154.22
20 No. 2	13020AA171	m		199.95
21 No. 3	13223AA090	m		154.22
22 No. 4	13024AA190	m		53.08
<i>23 Guide, Timing Belt</i>				
No. 1	13144AA090	m		44.12
No. 2	13141AA001	m		40.87
No. 3	13144AA021	m		24.52
No. 4 (2)	13141AA012	m		37.57
No. 5	13144AA031	m		24.52

## ENGINE/TRANS MOUNTS

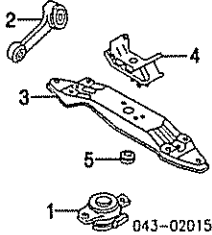
### 4 CYL MAN TRANS



043-02014

1 Mount, Side Engine w/Turbo	R 41022AG17A L 41022AG01A	#.9	87.72
w/o Turbo	R 41022AG17A L 41022AG00A	#.9	69.98
<b>#R&amp;R Both Sides 1.6</b>			
2 Rod, Stopper	41040AE02A	.5	14.95
3 Crossmember, Trans	Legacy 41011AE020 Outback 41011AG040	#1.0	90.77
4 Crossmember, Center	41011AE060	#1.0	65.33
5 Crossmember, Rear	Legacy 41011AE100 Outback 41011AG060	#1.0	62.08
6 Mount, Trans	41022AC180	#1.0	99.38
<b>#R&amp;R Complete</b>			
7 Damper, Dynamic	41023AC010		50.32
8 Plate, Front Xmbr	41025AC000		10.08
9 Plate, Rear Xmbr	41025AC040		8.55
10 Cushion, Frt Upper Xmbr	41022GA200		4.20
11 Cushion, Rear Upper Xmbr	41022AG080		4.90
12 Cushion, Front Lower Xmbr	41022FE090		4.90
13 Cushion, Rear Lower Xmbr	41022GA200		4.20
14 Spacer, Crossmember (2)	41037AC000		5.58

### 4 CYL AUTO TRANS



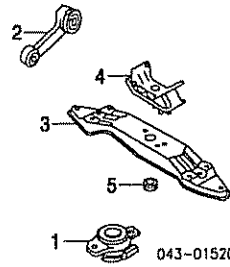
043-02015

1 Mount, Side Engine w/Turbo	R 41022AG17A L 41022AG01A	#.9	87.72
w/o Turbo	R 41022AG17A L 41022AG00A	#.9	69.98
<b>#R&amp;R Both Sides 1.6</b>			
2 Rod, Stopper	41040AE02A	.5	14.95
3 Crossmember, Trans	Legacy w/Turbo 41011AG02A w/o Turbo 41011AG00A Outback w/Turbo 41011AG03A w/o Turbo 41011AG01A	#.8	37.68
4 Mount, Trans	4 Speed Auto Trans 41022AE12A 5 Speed Auto Trans 41022AG10A	#.8	26.22
5 Cushion, Trans	#R&R Complete 41022FA050		4.90

### 6 CYL

Illustration Located in Next Column

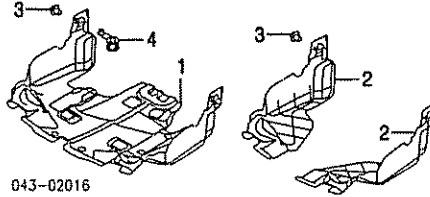
1 Mount, Side Engine	R 41022AG02A L 41022AG03A	#1.1	68.30
<b>#R&amp;R Both 2.0</b>			
2 Rod, Stopper	41040AE02A	.6	14.95



043-01520

3 Crossmember, Trans	41011AG03A	#1.5	38.27
4 Mount, Trans	41022AG10A	#1.5	33.53
5 Cushion, Trans	#R&R Complete 41022FA050		4.90

## ENGINE UNDER COVER



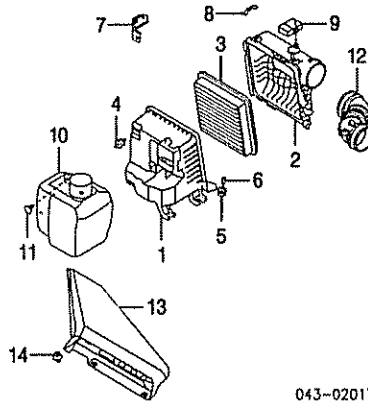
043-02016

Cover, Under			
1 1 Piece			
4 Cyl			
2.5 GT, 2.5 GT Limited Model	56410AG06A	.3	126.88
2.5i Limited Model	56410AG06A	.3	126.88
2.5 XT, 2.5 XT Limited Model	56410AG06A	.3	126.88
6 Cyl	56410AG08A	.3	136.73
2 2 Piece			
2.5i Model	R 56410AG09A L 56410AG10A 909140007	2	52.50
3 Clip, Under Cover (10)			70
4 Spacer, Cover			
Outback	R 56422AG00A		.80

## AIR CLEANER

### W/TURBO

R&I Air Cleaner Assy		.4
----------------------	--	----

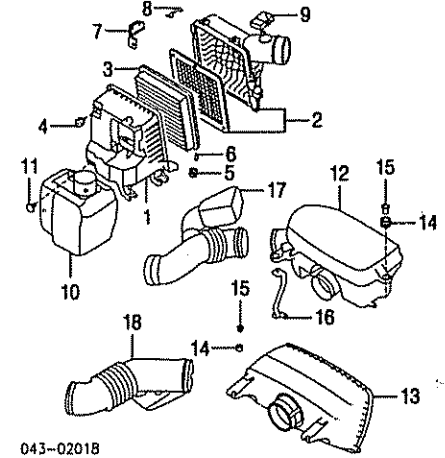


043-02017

1 Cover, Air Cleaner	46052AG05A	.2	41.97
2 Cover, Rear Air Cleaner	46052AG01A	.5	56.82
3 Element, Air Cleaner	16546AA10A	.3	18.63
Cushion, Cover			
4 No. 1	46022AE01A		5.47
5 No. 2 (2)	46022AG00A		2.88
6 Spacer, Cushion (2)	46083AG00A		17.93
7 Bracket, Air Cleaner	46032AG00A		7.65
8 Clamp, Cover (2)	46063AG00A		2.83
9 Meter, Air Flow	22680AA31A	m	169.95
10 Resonator	46043AG01A	.3	42.47
11 Clip, Adjust	46064AG000		2.35
12 Boot, Air Intake			
Legacy	46013AG00A	2	29.47
Outback	46813AG01A	2	29.47
13 Duct, Air Intake	46812AG00A	2	62.22
14 Clip, Duct (2)	909130051		.98

### W/O TURBO

R&I Air Cleaner Assy		.4
----------------------	--	----

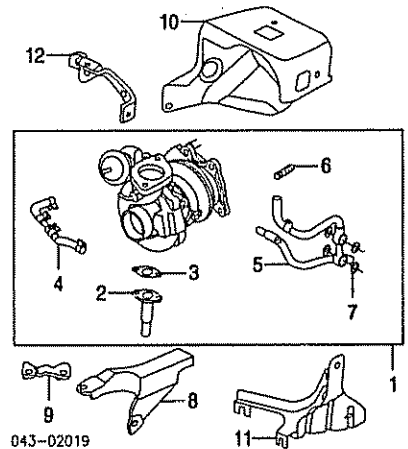


043-02018

1 Cover, Air Cleaner	46052AG05A	.2	41.97
2 Cover, Rear Air Cleaner			
4 Cyl	46052AG04A	.5	41.72
6 Cyl	46052AG00A	.5	41.72
3 Element, Air Cleaner	16546AA10A	.3	18.63
Cushion, Cover			
4 No. 1	46022AE01A		5.47
5 No. 2 (2)	46022AG00A		2.88
6 Spacer, Cushion (2)	46083AG00A		17.93
7 Bracket, Air Cleaner	46032AG00A		7.65
8 Clamp, Cover (2)	46063AG00A		2.83
9 Meter, Air Flow	22680AA31A	m	169.95
10 Resonator			
4 Cyl	46043AG00A	.2	42.47
6 Cyl	46043AG02A	.2	42.47
11 Clip, Adjust	46064AG000		2.35
Chamber, Air Intake			
12 4 Cyl	14435AA12A	.2	117.35
13 6 Cyl	14435AA17A	.3	123.00
14 Spacer, Cushion (2)	16578AA020		2.05
15 Cushion, Chamber (2)	16557AA020		3.08
16 Bracket, Chamber			
4 Cyl	16563AA230		5.72
Boot, Air Intake			
4 Cyl	14457AA45A	.2	57.52
6 Cyl	14457AA43A	.2	59.45

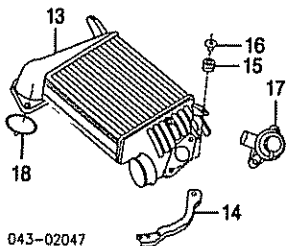
#Order by Application

## TURBOCHARGER/INTERCOOLER



043-02019

1 Turbocharger Assy	14411AA51A	m	2.2	667.34
2 Outlet, Turbo	15197AA070	m	.8	28.55
<b>#Included in R&amp;R Turbocharger</b>				
3 Gasket, Outlet	15195AA000	m		74
4 Hose, Turbo	14447AA12A	m	.8	36.50
5 Pipe, Turbo	14430AA18A	m	.6	90.55
<b>#R&amp;R Both 1.0</b>				
6 Stud, Mounting (3)	800910340			8.58
7 Gasket, Tube (4)	803912040			1.44
<b>#Included w/Turbocharger Assy</b>				
Bracket, Turbocharger				
8 No. 1	14421AA021			42.05
9 No. 2	14427AA022			9.80
10 Cover, Turbo Upper	44031AG030			40.03
11 Cover, Turbo Lower	44031AG040			51.47
12 Bracket, Turbo Cover	44021AA012			15.68



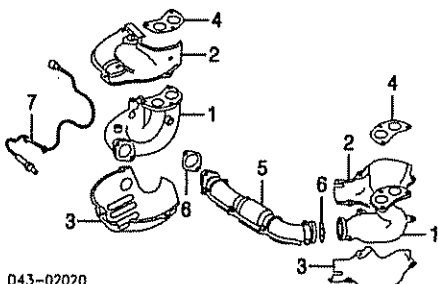
043-02047

13 Intercooler	21821AA020	m	1.0	389.82
14 Stay, Intercooler	21885AA260			17.15
15 Cushion, Stopper	45668AA000			2.30
16 Spacer, Cushion	45659AA000			2.13
17 Valve, Air By-Pass	14471AA130	m	.7	86.57
18 Gasket, Air Intake	14497AA010	m		6.55

**EXHAUST**

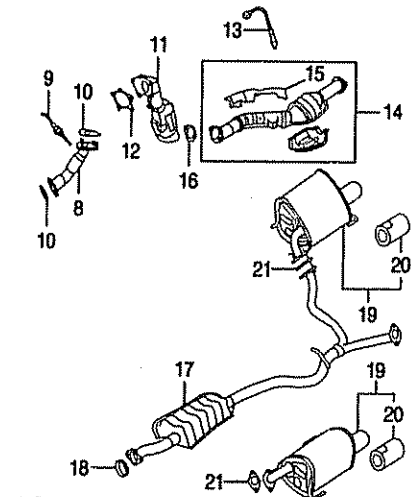
**4 CYL  
W/TURBO**

R&R Exhaust System Complete ..... #2.3  
#Does Not Include R&R Exhaust Manifolds or Heat Shields



043-02020

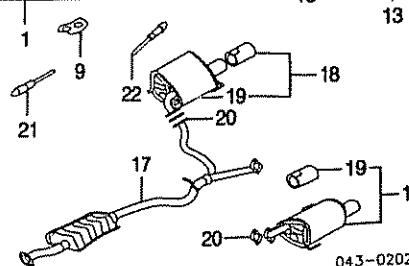
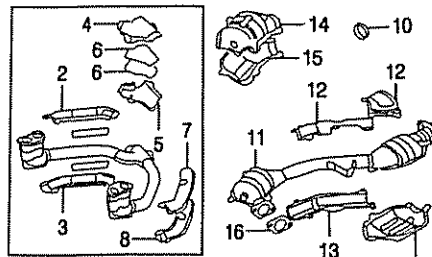
1 Manifold, Exhaust	R 14010AA102	m	1.0	323.13
	L 14023AA020	m	.8	313.68
2 Cover, Upper Manifold	R 14086AA072			68.27
	L 14090AA000			87.95
3 Cover, Lower Manifold	R 14086AA072			68.27
	L 14091AA000			112.95
4 Gasket, Manifold	R/L 14038AA000	m		14.63
5 Pipe, Joint	44101FE070		.8	331.70
6 Gasket, Pipe				
No. 1	44011FA020			8.63
No. 2	44022AA160			18.73
7 Sensor, Front Oxygen	22641AA32A	m	.5	129.95



043-02021

8 Pipe, Front	44104FE080		.8	332.27
9 Sensor, Center Oxygen	22629AA012	m	.5	58.88
10 Gasket, Front Pipe				
Outer	44022AA170			13.08
Inner	44022AA150			13.08
11 Converter/Pipe, Catalytic				
Man Trans	44102AG030	m	#2.3	649.50
Auto Trans	44102AG040	m	#2.3	649.50
#Includes R&R Turbocharger				
12 Gasket, Converter	44022AA180			19.95
13 Sensor, Rear Oxygen				
Man Trans	22690AA69A	m	.6	119.95
Auto Trans	22690AA70A	m	.6	119.95
14 Pipe Assy, Center				

Man Trans	44101AG070		.8	493.99
Auto Trans	44101AG080		.8	493.99
15 Cover, Pipe Upper]				
Man Trans	44132AG150			57.20
Auto Trans	44132AG170			57.20
#Included w/Center Pipe Assy				
16 Gasket, Center Pipe	44011AG000			13.08
17 Pipe, Rear Exhaust				
Legacy	44201AG01A		.5	324.55
Outback	44201AG03A		.5	325.33
18 Gasket, Rear Pipe	44022AA122			32.58
19 Muffler Assy				
Sedan	R 44300AG25A		#.6	239.95
L	44300AG24A		#.6	239.95
Wagon				
Legacy	R 44300AG27A		#.6	239.95
L	44300AG26A		#.6	239.95
Outback	R 44300AG49A		#.6	199.95
L	44300AG48A		#.6	199.95
#R&R Both .9				
20 Finisher, Pipe (a)				
Sedan	R/L 44371AG190		.2	56.98
Wagon	R/L 44371AG200		.2	56.20
(a) Included w/Muffler Assy				
21 Gasket, Muffler	R/L 44011AE01A			2.75



043-02023

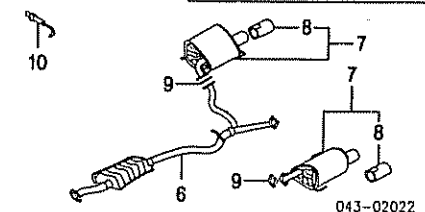
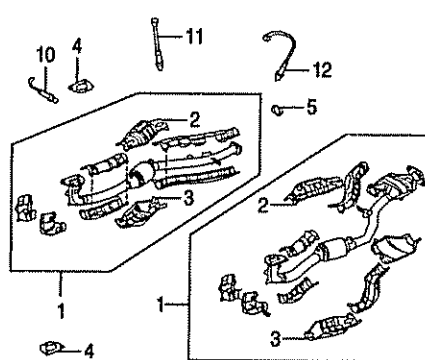
1 Pipe Assy, Front Exhaust	44619AA00A		.6	331.30
Cover, Front Pipe]				
Front Upper	44132AC510			24.32
Front Lower	44132AC520			26.28
Cover, Elbow]				
4 Upper	44132AC551			14.90
5 Lower	44132AC561			13.87
6 Insulator, Cover] (2)	44155AC120			3.20
Cover, Lower Pipe]				
7 Upper	44132AC530			21.52
8 Lower	44132AC540			19.17
#Included w/Front Exhaust Pipe Assy				
Gasket, Front Pipe (a)				
9 Front	R/L 44011AC030			6.95
10 Rear	44011AE030			10.78
(a) Order by Application				
11 Converter/Pipe, Catalytic	44659AA00A		.8	363.36
12 Cover, Upper Pipe (a)				
No. 1	44131AG95A			58.52
No. 2	44131AG97A			58.52
13 Cover, Lower Pipe (a)				
No. 1	44131AE190			21.95
No. 2	44131AG96A			57.90
14 Cover, Converter Upper (a)	44131AE120			15.77
15 Cover, Converter Lower (a)	44131AE170			15.77
(a) Order by Application				
16 Gasket, Converter	44165FA000			7.25
17 Pipe, Rear Exhaust				
Legacy	44200AG08A		.7	284.80
Outback	44200AG07A		.7	298.35
18 Muffler Assy				
Sedan	R 44300AG29A		#.6	239.95
L	44300AG28A		#.6	239.95
Wagon				
Legacy	R 44300AG31A		#.6	239.95
L	44300AG30A		#.6	239.95
Outback	R 44300AG33A		#.6	199.95
L	44300AG32A		#.6	199.95
#R&R Both 1.0				
19 Finisher, Pipe (b)				
Sedan	R/L 44371AG190		.2	56.98
Wagon	R/L 44371AG200		.2	56.20
(b) Included w/Muffler Assy				
20 Gasket, Muffler	R/L 44011AE01A			2.75
21 Sensor, Front Oxygen (a)	22641AA15A	m	.5	129.95
22 Sensor, Rear Oxygen (a)	22690AA45C	m	.5	119.95
(a) Order by Application				

**6 CYL**

R&R Exhaust System Complete ..... #1.8				
#Does Not Include R&R Exhaust Manifolds or Heat Shields				
Illustration Located in Next Column				
1 Pipe/Converter Assy, Front	R 44105AG38A		.7	487.79
	L 44105AG37A		.7	483.00
2 Cover, Upper Converter]	R 44131AG920			57.20
	L 44131AG910			57.20
3 Cover, Lower Converter]	R 44132AG130			68.27
	L 44131AG930			57.20
#Included w/Front Pipe/Converter Assy				
Gasket, Front Pipe				
4 Front	R/L 44011AG040			22.88
5 Rear	44011AE030			10.78
6 Pipe, Rear Exhaust	44200AG11A		.8	352.18
7 Muffler				
Sedan	R 44300AG57A		#.6	199.95
L	44300AG56A		#.6	199.95
Wagon	R 44300AG35A		#.6	199.95
L	44300AG34A		#.6	199.95
#R&R Both 1.0				

**4 CYL  
W/O TURBO  
W/CALIF EMISSION**

R&R Exhaust System Complete ..... #1.8  
#Does Not Include R&R Exhaust Manifolds or Heat Shields



043-02022

1 Pipe Assy, Front Exhaust				
Man Trans	R 44101AG18A		#.8	566.04
L	44101AG20A		#.8	437.86
Auto Trans	R 44101AG17A		#.8	567.14
L	44101AG20A		#.8	437.86
#R&R Both 1.2				
2 Cover, Converter Upper (a) (b)				
R	44131AG95A			58.52
L	44131AG97A			58.52
3 Cover, Converter Lower (a) (b)				
R	44131AG95A			57.90
L	44131AG98A			57.90
(a) Included w/Front Exhaust Pipe Assy				
(b) Order by Application				
Gasket, Front Pipe				
4 Front	R/L 44011AE050			8.18
5 Rear	44011AE030			10.78
6 Pipe, Rear Exhaust				
Legacy	44200AG08A		.8	284.80
Outback	44200AG07A		.8	298.35
7 Muffler Assy				
Sedan	R 44300AG29A		#.6	239.95
L	44300AG28A		#.6	239.95
Wagon				
Legacy	R 44300AG31A		#.6	239.95
L	44300AG30A		#.6	239.95
Outback	R 44300AG33A		#.6	199.95
L	44300AG32A		#.6	199.95
#R&R Both .9				
8 Finisher, Pipe (c)	R/L 44371AG190		.2	56.98
(c) Included w/Muffler Assy				
9 Gasket, Muffler	R/L 44011AE01A			2.75
10 Sensor, Front Oxygen	R/L 22641AA33A		m	149.95
11 Sensor, Center Oxygen	22690AA45C	m	.6	119.95
12 Sensor, Rear Oxygen	22690AA56A	m	.6	119.95

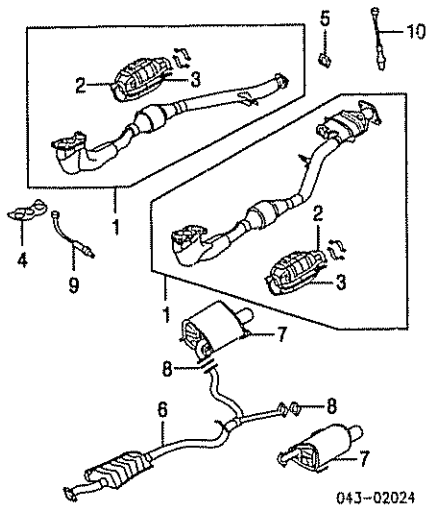
**4 CYL  
W/O TURBO  
W/O CALIF EMISSION**

R&R Exhaust System Complete ..... #1.8  
#Does Not Include R&R Exhaust Manifolds or Heat Shields

# SUBARU LEGACY/OUTBACK 2005

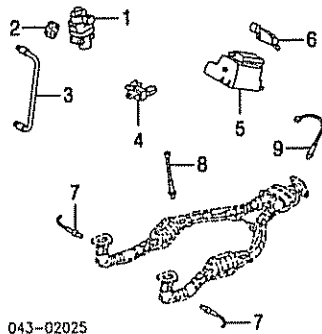
## EXHAUST Cont'd

### 6 CYL Cont'd



8 Gasket, Muffler	R/L 44011AE01A	m	.5	2.75
9 Sensor, Front Oxygen	R/L 22641AA25A	m	.5	129.95
10 Sensor, Rear Oxygen	R/L 22690AA68A	m	.5	119.95

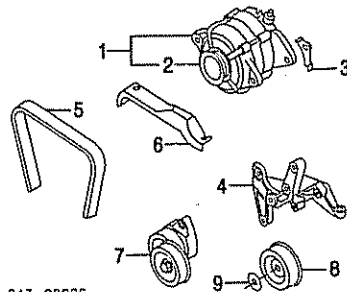
## EMISSION SYSTEM



1 Valve, EGR	14710AA690	m	#.6	133.20
2 Gasket, Valve	14719AA040	m	#.6	5.88
3 Pipe, EGR	N.A.	m	#.6	0.00
<b>#R&amp;R Complete</b>				
4 Valve, Solenoid				
4 Cyl	16102AA340	m	.3	37.57
w/Turbo	16102AA400	m	.3	40.87
w/o Turbo	16102AA420	m	.3	37.57
6 Cyl				
Sensor, Vacuum				
4 Cyl	22012AA160	m	.5	290.99
6 Cyl	22012AA150	m	.5	290.38
5 Canister, Vapor	42035AG03A	m	.5	245.85
6 Protector, Canister	42045AG100	m		19.58
7 Sensor, Front Oxygen-See Exhaust Section				
8 Sensor, Center Oxygen-See Exhaust Section				
9 Sensor, Rear Oxygen-See Exhaust Section				

## ELECTRICAL

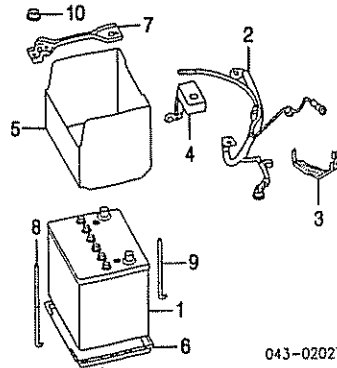
### ALTERNATOR



1 Alternator Assy

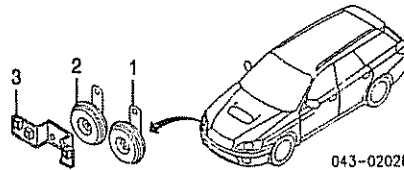
4 Cyl	23700AA520	m	.6	499.99
w/Turbo	23700AA55A	m	.6	329.95
w/o Turbo	23700AA401	m	.6	469.95
6 Cyl				
2 Pulley, Alternator	23752AA070	m	.8	76.48
4 Cyl	23752AA100	m	.8	63.70
6 Cyl				
<i>[Included w/Alternator Assy]</i>				
3 Plate, Alternator	11717AA030			3.99
4 Bracket, Pump/Alternator-See Steering Pump Section				
5 Belt, Drive				
4 Cyl	809218340		.6	17.95
6 Cyl	809221080		.6	32.95
6 Cover, Belt	14094AA120			16.33
4 Cyl	14094AA110			13.08
6 Cyl				
7 Tensioner, Belt	23769AA002		.8	91.47
6 Cyl				
8 Pulley, Idler (2)	23770AA020			40.87
6 Cyl				
9 Cover, Idler Pulley	23772AA000			1.98
6 Cyl (2)				

## BATTERY



1 Battery	N.A.	2	0.00
2 Cable, Battery	81608GA110	5	12.13
3 Bracket, Cable	81041AG00A		52.05
4 Cover, Terminal	81611AG000		3.92
5 Cover, Battery	82123AG10A		19.05
6 Tray, Battery	82122AG10A	#1.0	23.00
<i>#Includes R&amp;R Battery</i>			
7 Holder, Battery Bolt, Battery	82182AG10A		11.52
8 Front	82161AG10A		1.34
9 Rear	82161AG11A		1.24
10 Nut, Bolt (2)	02180B000		.34

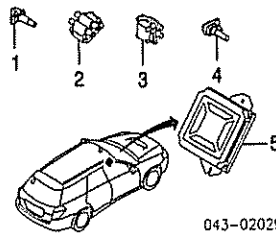
## HORN



1 Horn, High Note	86012AG11A	#.5	12.02
2 Horn, Low Note	86012AG10A	#.5	12.02
3 Bracket, Horn	86041AG10A	#.5	4.15

## IGNITION

R&R Ignition Coils Complete			
4 Cyl		m	.6
6 Cyl		m	.8

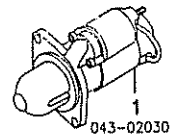


Coil, Ignition				
4 Cyl				
1 w/Turbo (4)	22433AA540	m	.3	99.99
w/o Turbo				
2 w/Calif Emission	22433AA41B	m	.5	126.27
3 w/o Calif Emission	22433AA50A	m	.5	111.62
4 6 Cyl (6)	22433AA441	m	.3	99.99
5 Control Unit, Engine				

Legacy	22611AJ48B	m	.7	528.09
Outback	22611AH93B	m	.7	528.09

*[Order by Application]*

## STARTER

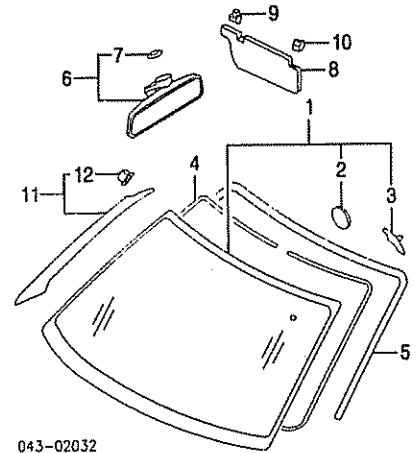


1 Starter				
Man Trans	23300AA48A	m	1.0	249.95
Auto Trans	23300AA49A	m	1.0	249.95

## WINDSHIELD

Use Procedure Explanation 13 with the following text

R&I Windshield ..... #2.4  
*#Includes Clean Up Old Adhesive as Necessary*

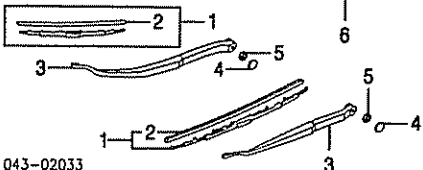
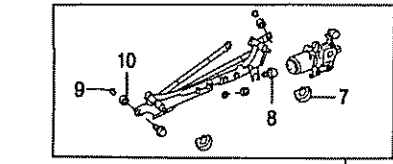


1 Glass Assy, Windshield				
Subaru				
4 Cyl				
2.5 GT, 2.5 GT Limited Model	65009AG06A		#2.0	349.95
2.5i Model				
Legacy	65009AG03A		#2.0	299.95
Outback	65009AG04A		#2.0	349.95
2.5i Limited Model	65009AG04A		#2.0	349.95
2.5 XT, 2.5 XT Limited Model	65009AG06A		#2.0	349.95
6 Cyl	65009AG08A		#2.0	349.95
NAGS				
Heated				
Green Tint	FW02490GTN		#2.0	0.00
Green Tint/Green Shade	FW02489GCN		#2.0	0.00
Non-Heated	FW02489GTN		#2.0	0.00
<i>#Includes Clean Up Old Adhesive as Necessary</i>				
2 Base, Rear View Mirror	92622AG01A			12.58
3 Pin, Glass Locator	R 65035AG00A			2.18
	L 65035AG01A			2.18
<i>[Included w/Windshield Glass Assy]</i>				
Adhesive, Windshield	N.A.			0.00
4 Dam, Windshield	65045AG00A			17.20
5 Moulding, Reveal	65058AG60A		.4	33.00
6 Mirror Assy, Rear View	92021AG01A		.2	29.95
7 Base, Mirror (a)	92022AG01A			12.58
<i>(a) Included w/Rear View Mirror Assy</i>				
8 Visor, Sun				
Right	92011AG51A0R		.2	0.00
Left	92011AG50A0R		.2	0.00
Legacy				
Outback				
2.5i, 2.5i Limited Model	92011AG50A0R		.2	0.00
2.5 XT, 2.5 XT Limited Model	92011AG50A0R		.2	0.00
3.0R Model	92011AG50A0R		.2	0.00
3.0R Limited Model	92011AG52A0R		.2	0.00
L.L. Bean Model	92011AG50A0R		.2	0.00
9 Hook, Sun Visor	R/L 92018AG01A0R			0.00
10 Cap, Sun Visor	R/L 97073AG00A0R		.2	0.00
11 Garnish Assy, Pillar	R 94010AG06A0R		.2	0.00
	L 94010AG07A0R		.2	0.00
12 Clip, Garnish (b) (4/Side)	R/L 909130096			98
<i>(b) Included w/Pillar Garnish Assy</i>				

## WIPER SYSTEM

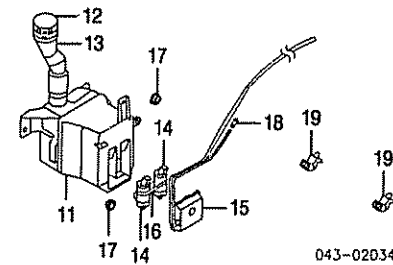
Illustration Located in Next Column

1 Blade Assy, Wiper	R 86542AG03A		.2	14.95
	L 86542AG02A		.2	19.95
2 Insert, Wiper	R 86548AG03A		.1	d11 52



043-02033

1	L SOA591U324R	1	4.95
<i>(Included w/Wiper Blade Assy)</i>			
3	Arm, Wiper	R 86532AG03A	#.2 39.95
		L 86532AG02A	#.2 39.95
<i>#Includes R&amp;R Wiper Blade Assy or Insert</i>			
4	Cover, Wiper Arm	R/L 86538AG04A	4.49
5	Nut, Wiper Arm	R/L 82281G000	1.16
6	Motor & Link Assy	86510AG02A	.8 149.95
7	Cover, Shaft (a)	R/L 86538FE000	2.47
8	Bolt & Washer (a) (3)	901250062	.88
9	Collar (a) (2)	86526AE000	2.47
10	Cushion, Link (a) (2)	86548AE010	3.25
<i>(a) Included w/Motor &amp; Link Assy</i>			



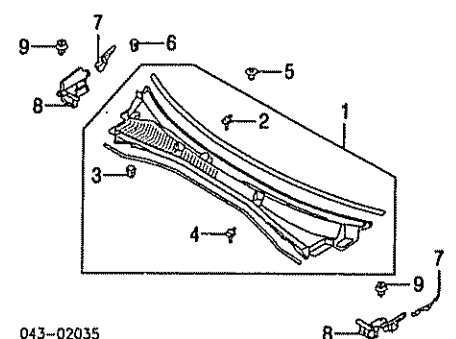
043-02034

11	Tank, Washer	86631AG05A	#.7 41.15
	Sedan	86631AG04A	#.7 41.63
	Wagon	86615AG00A	13.78
12	Cap, Tank	86656AG00A	4.85
13	Support, Cap	86656AG00A	4.85
14	Motor & Pump (b)		
	Front	86611AG01A	#.7 21.07
	Rear	86611AG00A	#.7 21.07
<i>(b) Order by Application</i>			
<i>#R&amp;R Complete</i>			

15	Cover, Pump		
	Sedan	86616AG03A	9.92
	Wagon	86616AG02A	9.92
16	Holder, Motor		
	Sedan	86656AG20A	4.85
	Wagon	86656AG10A	9.67
17	Gasket, Motor (2)	86623AG00A	7.98
18	Joint, Washer	86638AG030	5.80
19	Nozzle, Washer	R/L 86636AG10B	#.2 15.27
<i>#Included In R&amp;R Hood</i>			

**COWL & DASH**

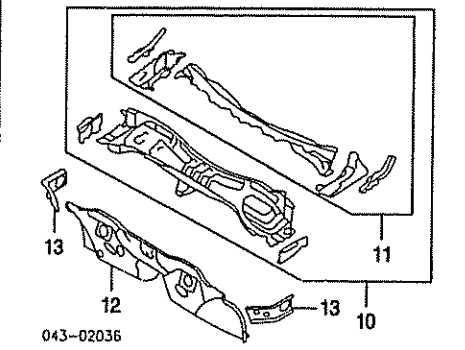
Use Procedure Explanations 14 and 28 with the following text.



043-02035

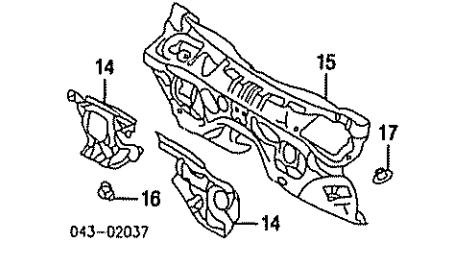
1	Grille Assy, Cowl Top	91411AG02A	#.4 70.48
<i>#Includes R&amp;R Wiper Arms</i>			
	Clip, Cowl Grille		
2	No. 1	R/L 91167AA110	70
3	No. 2	R/L 909130134	3.58
4	No. 3 (3)	909140011	98
<i>(Included w/Cowl Top Grille Assy)</i>			
	Clip, Upper Grille		
5	No. 1	R/L 91167AA000	1.12

6	No. 2	R/L 909130100	24
7	Panel, Cowl Side	R 91423AG02A	3.50
		L 91423AG03A	3.50
8	Cover, Side Panel	R 91461AG02A	3.70
		L 91461AG03A	3.70
9	Rivet, Push (3/Side)	R/L 909130013	70



043-02036

10	Panel Assy, Cowl Top	51121AG01A9P	#6.5 328.30
11	Panel, Cowl Top (a)	53100AG00A9P	#4.5 202.67
<i>(a) Included w/Cowl Top Panel Assy</i>			
<i>#Necessary Bolted Parts &amp; Assemblies Removed</i>			
12	Panel, Dash	52210AG07A9P	214.32
13	Gusset, Dash Panel	R 52210AG06A9P	46.95
		L 52210AG07A9P	44.82



043-02037

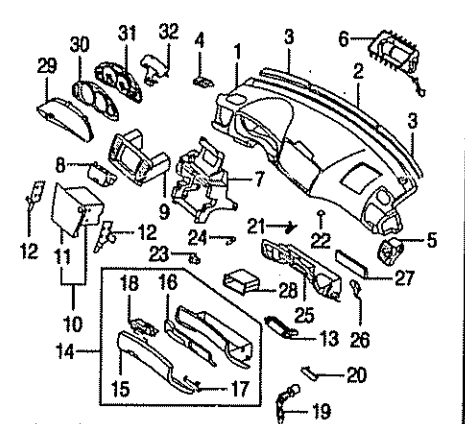
14	Insulator, Outer Dash	R 90815AG21A	32.80
		L 90815AG13A	33.25
15	Insulator, Inner Dash	90815AG10B	133.48
16	Clip, Outer (5)	90810PA000	1.93
17	Clip, Inner (10)	909205054	.60

**INSTRUMENT PANEL**

Use Procedure Explanation 14 with the following text.

R&I Instrument Panel	m	3.2
----------------------	---	-----

NOTE: All Parts in this section are included in R&R Instrument Panel unless noted otherwise.



043-02038

1	Panel, Instrument		
	2.5 GT, 2.5 GT Limited Model	66040AG02A	m 5.4 338.17
	2.5i Model	66040AG03A	m 5.4 338.17
	2.5i Limited Model	66040AG02A	m 5.4 338.17
	2.5 XT, 2.5 XT Limited Model	66040AG02A	m 5.4 338.17
	3.0R, 3.0R Limited Model	66040AG02A	m 5.4 338.17
	L.L. Bean Model	66040AG02A	m 5.4 338.17
	Sensor, Sun	73730AG01A	#.3 18.40
2	Cushion, Inst Panel Ctr	66226AG01A	#.3 32.42
3	Cushion, Inst Panel Otr	R/L 66226AG00A	.3 18.40
4	Grille, Defroster Uptr	R 66115AG00A	11.57
		L 66115AG01A	11.57
5	Grille, Defroster Side	R 66110AG01A	.2 52.83
		L 66110AG00A	.2 52.83
6	Module, Passenger Air Bag-See	66060AG05A	.5 82.30
7	Panel, Center Trim	66060AG05A	.5 82.30

8	Pocket, Center	66120AG03A	102.33
9	Frame, Radio	66204AG01A	.4 37.85
10	Radio Assy		
	2.5 GT, 2.5 GT Limited Model	86201AG61A	.6 642.01
	2.5i Model	86201AG62A	.6 499.54
	2.5i Limited Model	86201AG61A	.6 642.01
	2.5 XT, 2.5 XT Limited Model	86201AG61A	.6 642.01
	3.0R, L.L. Bean Model	86201AG61A	.6 642.01
	3.0R Limited Model	86201AG63A	.6 692.43

11	Panel, Radio (a)		
	2.5 GT, 2.5 GT Limited Model	86213AG61A	457.17
	2.5i Model	86213AG62A	387.08
	2.5i Limited Model	86213AG61A	457.17
	2.5 XT, 2.5 XT Limited Model	86213AG61A	457.17
	3.0R, L.L. Bean Model	86213AG61A	457.17
	3.0R Limited Model	86213AG63A	457.17

12	Bracket, Radio	R 66201AG00A	12.02
		L 66201AG01A	12.02
		85201AG020	.3 158.03

*(b) Order by Application*

14	Box Assy, Glove		
	Black	66120AG04AJC	.4 103.57
	Ivory	66120AG04AWA	.4 103.57

15	Lid, Glove Box (d)		
	Black	66126AG02AJC	2 57.28
	Ivory	66126AG02AWA	2 57.28
16	Reinforcement, Lid (d)	66203AG05A	35.10
17	Damper, Glove Box (d)	66253AG00A	22.63

18	Lock, Glove Box (d)		
	Black	66140AG02DJC	.1 28.60
	Ivory	66140AG02OWA	.1 28.60

*(d) Included w/Glove Box Assy*

19	Cylinder, Glove Box Lock	57494AE08A	29.95
<i>(Included w/Complete Lock Set-listed in Steering Wheel/Column Section)</i>			

20	Cover, Cylinder Lock		
	Black	66242AG00JJC	1.98
	Ivory	66242AG00JWA	1.98

21	Striker, Glove Box	66232AG01A	1 12.10
22	Cushion, Glove Box	66226AG05A	11.07
23	Stopper, Glove Box	R/L 66221AG00A	4.45

24	Lamp, Glove Box	66237AG01A	9.83
25	Housing, Glove Box	66208AG02A	5 36.58
26	Bracket, Housing	66201AG05A	15.55
27	Insulator, Glove Box	66222AG30A	20.42
28	Pocket, Deck	66128AG02A	20.25

29	Lens, Meter		
	4 Cyl		
	2.5 GT, 2.5 GT Limited Model	85075AG010	.6 86.62
	2.5i, 2.5i Limited Model	85075AG000	.6 51.77
	2.5 XT, 2.5 XT Limited Model	85075AG010	.6 86.62
	6 Cyl	85075AG000	.6 51.77

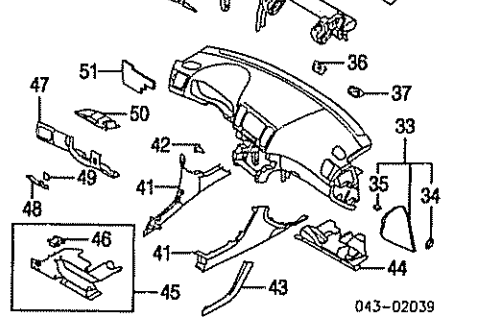
30	Plate, Meter (b)		
	Legacy	85070AG22A	m #.8 63.37
	Outback	85070AG38A	m #.8 63.37

*(b) Order by Application*

31	Meter (b)		
	Legacy	85021AG53A	m #.8 362.03
	Outback	85021AG50A	m #.8 345.68

*#R&R Complete*

32	Bracket, Meter	66203AG00A	16.17
----	----------------	------------	-------



043-02039

33	Cover Assy, Side Instrument Panel	R 66073AG04A	.1 32.30
		L 66073AG05A	.1 32.30
34	Label, Side Air Bag (f)	R 98281AG02A	3.87
35	Clip, Cover (f) (g)	R/L 909130092	98

*(f) Included w/Side Instrument Panel Cover Assy*

*(g) As Required*

<i>Grommet, Inst Panel</i>			
36	No. 1	66151FA000	53.65
37	No. 2 (2)	66282AE000	2.63

38	Beam, Steering	50801AG02A9P	#.6 246.88
<i>#w/Instrument Panel Removed, Not Included in R&amp;R Instrument Panel</i>			

39	Bracket, Steering Beam	R 50853AG02A	45.72
		L 50853AG03A	45.88
		50814AG00A	68.83

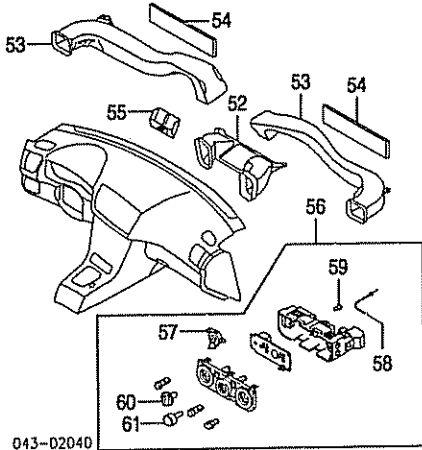
40	Panel, Knee Guard		
41	Panel, Lower Center		
	Black	R 66073AG08AJC	2 66.20
	Ivory	L 66073AG10AJC	2 59.33
		R 66073AG08AWA	2 66.20
		L 66073AG10AWA	2 59.33

42	Clip, Center Panel	R/L 909130131	3.53
----	--------------------	---------------	------

# SUBARU LEGACY/OUTBACK 2005

## INSTRUMENT PANEL Cont'd

43 Ornament, Panel Standard	R 66077AG08A L 66077AG09A	65.88 66.08	
Wood	R 66077AG14A L 66077AG15A	124.83 137.05	
44 Cover, Under Passenger Side	66066AG02A	2	42.13
45 Cover Assy, Under Driver Side	66066AG03A	2	42.83
46 Holder, Cover (h) (h) Included w/Under Cover Assy	81910AG02A	6.70	
47 Cover, Lower Driver Side	66075AG01AJC	3	61.72
Black			
Ivory	66075AG01AWA	3	61.72
48 Lid, Fuse	66135AG03AJC	18.97	
Black			
Ivory	66135AG03AWA	18.97	
49 Label, Fuse-See Information Labels Section			
50 Duct, Foot Driver Side	66100AG09A	36.28	
51 Insulator, Cover	66222AG17A	24.40	



043-02040

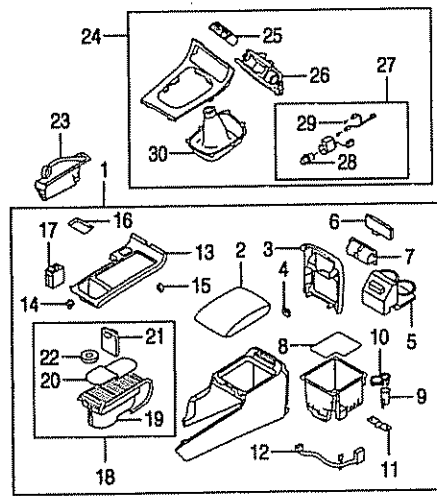
52 Duct, Center	66100AG05A	#.4	28.52
53 Duct, Side Vent	R 66100AG02A L 66100AG03A	#.4 #.4	36.13 36.00
<b>#Each Additional 2, w/Instrument Panel Removed</b>			
54 Insulator, Vent	R/L 66222AG31A		25.27
55 Guide, Center	66252AG01A		13.20
56 Control Assy, Heater	72311AG04A	m 5	303.30
57 Switch, Fan (l)	72340AG000	m 3	25.13
58 Cable, Temp (l)	72331AG020		12.58
59 Lamp (l) (2)	72351AG030		15.88
60 Knob, Fan (l)	72363AG080		9.72
61 Knob, Mode (l) (2) (l) Included w/Heater Control Assy	72363AG070		6.67

## CENTER CONSOLE

Use Procedure Explanation 14 with the following text.

R&L Center Console Assy ..... 6

NOTE: All Parts in this section are included in R&R Console Assy unless noted otherwise.



043-02041

1 Box Assy, Console (l) Black	92111AG03AJC	8	326.23
-------------------------------	--------------	---	--------

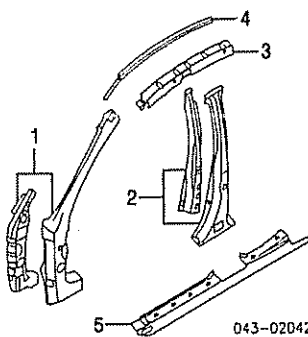
Ivory	92111AG03AWA	8	326.23
<b>(Order by Application)</b>			
2 Lid, Console Box (a) Black	92114AG00AJC	2	59.75
Ivory	92114AG00AWA	2	59.75
3 Box, Console Rear (a) Black	92113AG02AJC	3	28.32
Ivory	92113AG02AWA	3	28.32
4 Nut, Spring (a)	902510009		.82
5 Holder, Front Cup (a) Black	66150AG01AJC		40.57
Ivory	66150AG01AWA		40.57
6 Cap, Ashtray (a) Black	92183AG00AJC		10.98
Ivory	92183AG00AWA		10.98
7 Bracket, Ashtray (a) Black	92118AG00A		12.72
Ivory	92118AG00A		10.87
8 Mat, Console Box (a) Black	86711FA060		19.50
Ivory	86711FA060		7.87
9 Socket, Cigarette Lighter (a) Black	92177AG00A		11.32
Ivory	92177AG00A		11.32
10 Cap, Socket (a) Black	86712FA010		11.32
Ivory	86712FA010		11.32
11 Bracket, Console Box (a) Black	92178AG00A		62.78
Ivory	92178AG00A		62.78
12 Harness, Console (a) (Order by Application)			
13 Cover, Console (a) Black	92132AG01AJC	3	57.07
Ivory	92132AG01AWA	3	57.07
14 Clip, Front Cover (a) (2) Black	66282FE010		3.42
Ivory	66282FE010		3.42
15 Clip, Rear Cover (a) (2) Black	909130092		98
Ivory	909130092		98
16 Tray, Console Box (a) Black	92173AG00AJC		11.40
Ivory	92173AG00AJC		11.40
17 Switch, Seat Heater (a) Black	83245AG06AJC	m 3	131.30
Ivory	83245AG06AWA	m 3	131.30
18 Holder Assy, Cup (a) Black	66150AG02AJC	2	65.18
Ivory	66150AG02AWA	2	65.18
19 Holder, Cup (a) (b) Black	66155AG09AJC		55.97
Ivory	66155AG09AWA		55.97
20 Mat, Cup Holder (a) (b) Black	92177AG06A		11.77
Ivory	92177AG06A		11.77
21 Holder, Cup Inner (a) (b) Black	66155AG02A		19.30
Ivory	66155AG02A		19.30
22 Mat, Insert (a) (b) Black	92177AG07A		18.52
Ivory	92177AG07A		18.52
23 Boot, Hand Brake Black	92123AG01AJC		100.15
Ivory	92123AG01AWA		100.15
24 Cover Assy, Front Console Man Trans	92121AG03A	3	212.58
Auto Trans	92121AG01A	3	130.45
25 Lid, Ashtray (c) Black	92114AG03A		55.92
Ivory	92114AG03A		55.92
26 Tray, Ash (c) Black	92172AG03A		17.28
Ivory	92172AG03A		17.28
27 Lighter Assy, Cigarette (c) Black	86710AG000		45.75
Ivory	86710AG000		45.75
28 Element, Lighter (c) (d) Clear	86726AG010		2.83
Red	86726AG000		2.83
<b>(d) Included w/Cigarette Lighter Assy</b>			
30 Boot, Shift Lever (c) Man Trans	92123AG03A		89.55
(c) Included w/Front Console Cover Assy			

## ROCKER/PILLARS/FLOOR

Use Procedure Explanattons 14, 15 and 28 with the following text.

## SHEET METAL

Refinish Outer Hinge Pillar	R/L	1.0
Refinish Center Pillar	R/L	1.0
Refinish Outer Rocker Panel	R/L	1.5



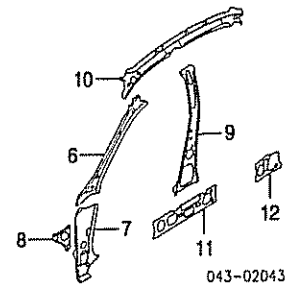
043-02042

1 Pillar, Outer Hinge	R 51420AG02A9P L 51420AG03A9P	s 9.2 s 9.2	175.08 175.08
2 Pillar, Outer Center	R 51430AG12A9P L 51430AG13A9P	s 5.0 s 5.0	229.28 229.28
3 Rail, Outer Side-See Roof Section			
4 Rail, Drip-See Roof Section			
5 Panel, Outer Rocker	R 51415AG02A9P L 51415AG03A9P	s #8.0 s #8.0	171.33 171.33

#w/Quarter Panel Removed Deduct 1.9

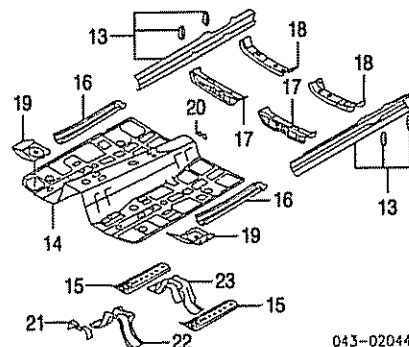
Illustration Located in Next Column

6 Pillar, Intr Up Hinge	R 51520AG02A9P L 51520AG03A9P	s 1.0 s 1.0	92.27 92.27
-------------------------	----------------------------------	----------------	----------------



043-02043

7 Pillar, Intr Lwr Hinge	R 51151AG08A9P L 51151AG09A9P	s 1.0 s 1.0	60.48 60.48
8 Panel, Cowl Slide	R 51152AG00A9P L 51152AG01A9P	s 1.0 s 1.0	21.27 21.27
9 Pillar, Inner Center	R 51530AG02A9P L 51530AG03A9P	s 1.0 s 1.0	140.55 140.55
10 Rail, Inner Roof Side-See Roof Section			
11 Reinf, Front Rocker	R 51572AG22A9P L 51572AG23A9P	s 1.5 s 1.5	39.62 39.62

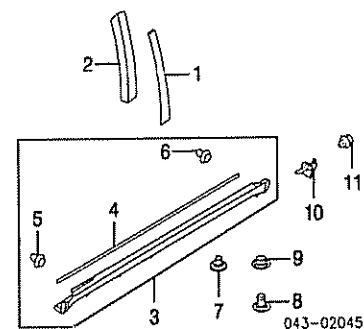


043-02044

13 Panel, Inner Rocker	R 51159AG02A9P L 51159AG03A9P	s 2.0 s 2.0	112.62 112.62
14 Pan, Front Floor	52120AG04A9P		138.57
15 Frame, Front Floor	R/L 52150AG84A9P		70.12
16 Frame, Rear Floor	R/L 52150AG18A9P		82.70
17 Crossmember, Floor	R 52140AG28A9P L 52140AG29A9P		73.28 72.70
18 Bracket, Side Front Seat	R 52140AG37A9P L 52140AG38A9P		65.92 66.45
19 Reinf, Up Dash Panel	R 52143AG35A9P L 52143AG36A9P		61.02 61.02
20 Reinf, Hand Brake	52153AG38A9P		32.50
21 Bracket, Instrument Panel	52153AG30A9P		33.17
22 Crossmember, Floor Center	52140AG35A9P		91.67
23 Reinf, Tunnel	52140AG13A9P		91.03

## EXTERIOR TRIM

Refinish Rocker Moulding Assy	R/L	1.0
R&L Rocker Moulding Assy	R/L	4

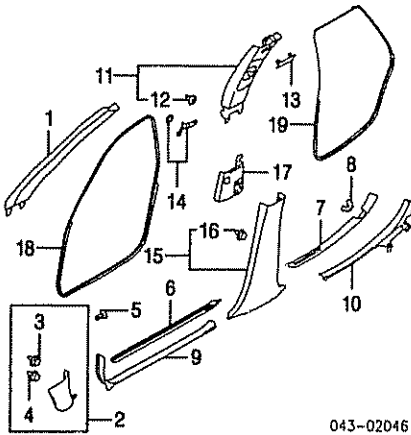


043-02045

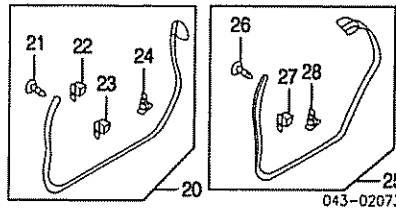
1 Moulding, Center Pillar	R 63563AG00A L 63563AG01A	2	22.18 22.18
2 Retainer, Moulding	R 63542AG000 L 63542AG010		22.88 22.88
3 Moulding Assy, Rocker Gray	R 91112AG32ALY L 91112AG33ALY	.4 .4	161.63 161.63
Green	R 91112AG32AFY L 91112AG33AFY	.4 .4	166.05 166.05
Monotone	R 91112AG34A L 91112AG35A	.4 .4	98.95 98.95
Paint to Match	R 91112AG32ANN L 91112AG33ANN	.4 .4	105.93 105.93
4 Tape, Side Sill (l) Clip, Moulding (l) No. 1 (4/Side)	R/L 909130007		.60
6 No. 2	R/L 91111AG34A		3.87

<i>(Included w/Rocker Moulding Assy</i>		
7 Clip, Moulding Lower (a)	R/L 909140002	1.30
8 No. 2	R/L 909130118	1.98
9 No. 3	R/L 909130117	1.98
<i>(a) As Required</i>		
10 Cover, Moulding End	R 96054AG02A L 96054AG03A	33.50 33.50
11 Clip, Cover (a)	R/L 909130067	.98
<i>(a) As Required</i>		

**INTERIOR TRIM**



043-02046



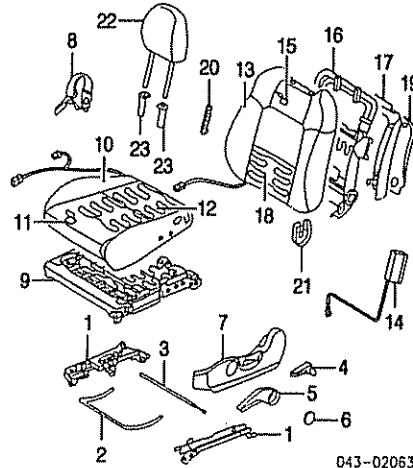
043-02073

<b>20 Weatherstrip Assy, Lower</b>		
Front		
Body Side	R 63511AG00A L 63511AG01A	.3 28.18
21 Clip, No. 1 (a) (e)	R/L 90381PA010	.3 6.17
22 Clip, No. 2 (a) (e)	R/L 909120023	.60
23 Clip, No. 3 (a) (e)	R/L 909120026	.60
24 Clip, No. 4 (a) (e)	R 909120033 L 909120035	.98
<i>(a) As Required</i>		
<i>(e) Included w/Lower Weatherstrip Assy</i>		
<b>25 Weatherstrip Assy, Lower</b>		
Rear		
Body Side	R 63512AG00A L 63512AG01A	.3 31.07
26 Clip, No. 1 (a) (f)	R/L 90381PA010	.3 6.17
27 Clip, No. 2 (a) (f)	R/L 909120026	.60
28 Clip, No. 3 (a) (f)	R/L 909120030	.60
<i>(a) As Required</i>		
<i>(f) Included w/Lower Weatherstrip Assy</i>		

**FRONT SEAT**

**MANUAL**

R&I Seat Assy	R/L	.3
---------------	-----	----



043-02063

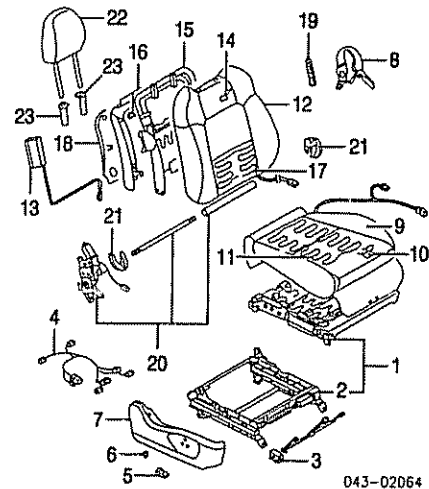
1 Adjuster, Seat	Passenger Side-Serviced w/Seat Frame Driver Side	R 64180AG01A L 64170AG01A	#2 118.17 #2 99.20
<i>#w/Seat Assy Removed</i>			
2 Lever, Roll Adjust	Passenger Side-Serviced w/Seat Frame Driver Side	64135AG00A	46.13
3 Wire, Connector	Passenger Side-Serviced w/Seat Frame Driver Side	64178AG00A	18.88
4 Lever, Reclining	Passenger Side		
Black	64143AG00AJC	18.85	
Ivory	64143AG00AWA	18.85	
Driver Side	64143AG01AJC	18.85	
Ivory	N.A.	0.00	
5 Knob, Lifter	Driver Side	64143AG03AJC	19.25
6 Cap, Lever	Driver Side	64107AG03AJC	17.48
7 Cover, Recline Adjuster	Passenger Side	64115AG27AJC	.1 30.82
Driver Side	64115AG23AJC	.1 30.70	
<i>(Black listed, Order by Application)</i>			
8 Cover, Adjuster	Passenger Side		
Black	64115AG26AJC	.1 25.83	
Ivory	64115AG30AWA	.1 25.83	
Driver Side	64115AG29AJC	.1 27.65	
9 Frame, Seat	Passenger Side (a)	64100AG10A	#9 1060.23
Driver Side	64100AG01A	#1.1 175.62	
<i>(a) Includes Seat Adjuster</i>			
<i>(Includes R&amp;R Seat Adjusters, w/Seat Assy Removed</i>			
10 Cover, Cushion	Passenger Side	64140AG00AJC	#9 154.22
Driver Side	64140AG01AJC	#9 154.22	

*(Black listed, Order by Application)*

11 Pad, Cushion	Passenger Side Driver Side	64120AG00A 64120AG01A	#9 99.53 #9 99.53
12 Heater, Seat Cushion	Passenger Side Driver Side	64111AG00A 64111AG00A	#9 110.67 #9 110.67
<i>#R&amp;R One Side Complete, Included in R&amp;R Seat Frame, w/Seat Assy Removed</i>			
13 Cover, Seat Back	Passenger Side Driver Side	64150AG02AJC 64150AG03AJC	#9 155.52 #9 155.52
<i>(Black, Order by Application)</i>			
14 Module, Side Air Bag-See Air Bag System Section			
15 Pad, Seat Back	Passenger Side Driver Side	64130AG00A 64130AG01A	#9 92.98 #9 92.98
16 Frame, Seat Back	Passenger Side Driver Side	64110AG00A 64110AG01A	#9 91.32 #9 118.20
17 Garnish, Seat Back	Passenger Side Driver Side	64124AG00A 64124AG00A	#9 39.42 #9 39.42
18 Heater, Seat Back	Passenger Side Driver Side	64111AG02A 64111AG02A	#9 85.42 #9 85.42
19 Board, Seat Back	Passenger Side Driver Side	64124AG02AJC 64124AG02AJC	#9 44.82 #9 44.82
<i>#R&amp;R One Side Complete, Includes R&amp;R Headrest, w/Seat Assy Removed</i>			
20 Lever, Lumber	Passenger Side Driver Side	64143AG04AJC 64143AG04AJC	18.02 18.02
21 Cover, Inner	Passenger Side Driver Side	64115AG38AJC 64115AG39AJC	27.65 27.65
22 Headrest	Passenger Side Driver Side	64061AG01AJC 64061AG01AJC	2 88.67 2 88.67
<i>(Black listed, Order by Application)</i>			
23 Support, Headrest	Passenger Side		
Locking			
Black	64106AG01AJC	20.00	
Ivory	64106AG01AWA	20.00	
Non-Locking			
Black	64106AG00AJC	17.73	
Ivory	64106AG00AWA	17.73	
Driver Side			
Locking			
Black	64106AG01AJC	20.00	
Ivory	64106AG01AWA	20.00	
Non-Locking			
Black	64106AG00AJC	17.73	
Ivory	64106AG00AWA	17.73	

**POWER**

R&I Seat Assy		3
---------------	--	---



043-02064

1 Frame, Seat	Passenger Side Driver Side	64100AG10A 64100AG03A	#2 1060.23 #2 90.72
<i>#w/Seat Assy Removed</i>			
2 Adjuster, Seat Track-Serviced w/Seat Frame			
3 Switch, Power Seat	Passenger Side Driver Side	64176AG00A 64176AE10A	96.32 90.73
4 Harness, Sensor		64084AG21A	d117.98
<i>(Order by Application)</i>			
5 Knob, Power Seat	Passenger Side		
Black	64143AE01AJC	22.27	
Ivory	64143AE01AWA	22.27	
Driver Side	64143AE01AJC	22.27	
Black	64143AE01AJC	22.27	
Ivory	64143AE01AJC	22.27	
6 Knob, Reclining	Passenger Side	64143AE00AJC	21.15

# SUBARU LEGACY/OUTBACK 2005

## FRONT SEAT Cont'd

### POWER Cont'd

Ivory	64143AE00AWA	21	15
Driver Side			
Black	64143AE00AJC	21	15
Ivory	64143AE00AWA	21	15
<b>7 Cover, Recline Adjuster</b>			
Passenger Side			
Black	64115AG27AJC	.1	30.82
Ivory	64115AG27AWA	.1	30.82
Driver Side			
Black	64115AG24AJC	.1	30.70
Ivory	64115AG24AWA	.1	30.70
<b>8 Cover, Adjuster</b>			
Passenger Side	64115AG28AJC	.1	25.83
Driver Side	64115AG29AJC	.1	27.65
<b>9 Cover, Cushion</b>			
Passenger Side	64140AG10AJC	#.9	329.65
Driver Side	64140AG11AJC	#.9	329.65
<i>#Black listed, Order by Application</i>			
<b>10 Pad, Cushion</b>			
Passenger Side	64120AG00A	#.9	99.53
Driver Side	64120AG03A	#.9	99.62
<b>11 Heater, Seat Cushion</b>			
Passenger Side	64111AG00A	#.9	110.67
Driver Side	64111AG00A	#.9	110.67
<i>#R&amp;R One Side Complete, w/Seat Assy Removed</i>			
<b>12 Cover, Seat Back</b>			
Passenger Side	64150AG10AJC	#.9	331.48
Driver Side	64150AG11AJC	#.9	331.48
<i>#Black listed, Order by Application</i>			
<b>13 Module, Side Air Bag-See Air Bag System Section</b>			
<b>14 Pad, Seat Back</b>			
Passenger Side	64130AG04A	#.9	94.35
Driver Side	64130AG03A	#.9	92.98
<b>15 Frame, Seat Back</b>			
Passenger Side	64110AG02A	#.9	134.58
Driver Side	64110AG03A	#.9	134.58
<b>16 Garnish, Seat Back</b>			
Passenger Side	64124AG00A	#.9	39.42
Driver Side	64124AG00A	#.9	39.42
<b>17 Heater, Seat Back</b>			
Passenger Side	64111AG02A	#.9	85.42
Driver Side	64111AG02A	#.9	85.42
<b>18 Board, Seat Back</b>			
Passenger Side	64124AG01AJC	#.9	65.55
Driver Side	64124AG01AJC	#.9	65.55
<i>#R&amp;R One Side Complete, Includes R&amp;R Headrest, w/Seat Assy Removed</i>			
<b>19 Lever, Lumbar</b>			
Passenger Side			
Black	64143AG04AJC	18.02	
Ivory	64143AG04AWA	18.02	
Driver Side			
Black	64143AG04AJC	18.02	
Driver Side	64143AG04AWA	18.02	
<b>20 Motor Unit, Power Seat</b>			
Passenger Side	64102AG02A	#.3	178.83
Driver Side	64102AG03A	#.3	97.15
<i>#w/Seat Assy Removed</i>			
<b>21 Cover, Hinge</b>			
Passenger Side			
Black	R 64115AG32AJC	1	22.67
L	64115AG34AWA	.1	22.67
Ivory	R 64115AG32AWA	.1	22.67
L	64115AG34AWA	.1	22.67
Driver Side			
Black	R 64115AG35AJC	.1	22.67
L	64115AG33AJC	.1	22.67
Ivory	R 64115AG35AWA	.1	22.67
L	64115AG33AWA	.1	22.67
<b>22 Headrest</b>			
Passenger Side	64061AG04AJC	2	166.15
Driver Side	64061AG04AJC	2	166.15
<i>#Black listed, Order by Application</i>			
<b>23 Support, Headrest</b>			
Passenger Side			
Locking			
Black	64106AG01AJC	20.00	
Ivory	64106AG01AWA	20.00	
Non-Locking			
Black	64106AG00AJC	17.73	
Ivory	64106AG00AWA	17.73	
Driver Side			
Locking			
Black	64106AG01AJC	20.00	
Ivory	64106AG01AWA	20.00	
Non-Locking			
Black	64106AG00AJC	17.73	
Ivory	64106AG00AWA	17.73	

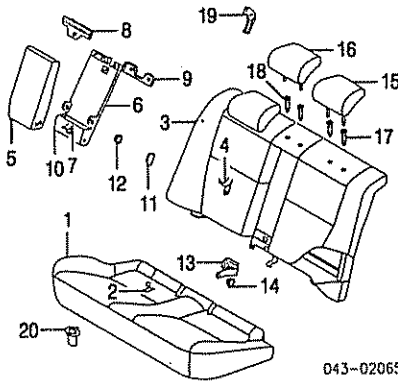
## REAR SEAT

### SEDAN

R&I Seat Back Assy	#.5
<i>#Includes R&amp;I Seat Cushion Assy</i>	
R&I Seat Cushion Assy	.2

*Illustration Located in Next Column*

<b>1 Cover, Seat Cushion</b>	
Legacy	



043-02065

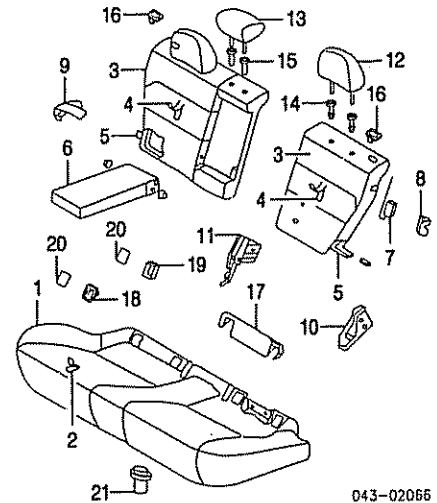
2.5 GT, 2.5i Model	64340AG10AJC	#.6	213.22
2.5 GT Limited Model	64340AG12AJC	#.6	308.90
2.5i Limited Model	64340AG11AJC	#.6	307.17
Outback	64340AG11AJC	#.6	307.17
<i>#Black listed, Order by Application</i>			
<b>2 Pad &amp; Frame, Seat</b>	64320AG10A	#.6	109.22
<i>#R&amp;R Complete, w/Seat Cushion Assy Removed</i>			
<b>3 Cover, Seat Back</b>			
Legacy			
2.5 GT, 2.5i Model	64350AG40AJC	#1.0	392.32
2.5 GT Limited Model	64350AG42AJC	#1.0	381.22
2.5i Limited Model	64350AG41AJC	#1.0	392.32
Outback	64350AG41AJC	#1.0	392.32
<i>#Black listed, Order by Application</i>			
<b>4 Pad, Seat Back</b>	64330AG10A	#1.0	97.97
<i>#R&amp;R Complete, Includes R&amp;R Headrests, w/Seat Back Assy Removed</i>			
<b>5 Armrest, Center</b>			
Legacy	64380AG10AJC	144.15	
Outback	64380AG11AWA	161.80	
<i>#Black listed, Order by Application</i>			
<b>6 Frame, Center</b>	64470AA160	151.52	
<b>7 Pad, Center</b>	64345AG10A	36.78	
<b>8 Cover, Frame</b>			
Center Front			
Black	64926GA030JC	70.85	
Ivory	64926GA030WA	70.85	
Center Rear			
Black	64926GA040JC	118.87	
Ivory	64926GA040WA	118.87	
<b>10 Center Lower</b>	64315AG00AJC	18.43	
<i>#Black listed, Order by Application</i>			
<b>11 Cover, Armrest Hinge</b>	R/L 64584AA130MA	3.03	
<b>12 Collar, Cushion (4)</b>	64470AA140	15.43	
<b>13 Hinge, Armrest</b>	R 64371AE20B	19.33	
L 64371AE21B		19.33	
<b>14 Bushing, Hinge</b>	R/L 64306AE11A	12.58	
<b>15 Headrest, Outer</b>	R/L 64261AG22AJC	2	94.30
<b>16 Headrest, Center</b>	64261AG32AJC	2	92.37
<i>#Black listed, Order by Application</i>			
<b>Support, Headrest</b>			
Outer Headrest			
Locking			
Gray	R/L 64280FA130MU	6.47	
Ivory	R/L 64280FA130WA	20.00	
Non-Locking			
Gray	R/L 61917AG250MU	0.00	
Ivory	R/L 61917AG250WA	0.00	
<b>18 Center Headrest</b>			
Locking			
Gray	64580FA000MU	5.12	
Ivory	64580FA000WA	18.32	
<b>19 Striker, Center</b>	64375AG020	17.15	
<b>20 Hook, Seat Cushion</b>	R/L 64396KA010	2.05	

## WAGON

R&I Seat Back Assy	R/L	#.4
<i>#Includes R&amp;I Seat Cushion</i>		
R&I Seat Cushion Assy		.2

*Illustration Located in Next Column*

<b>1 Cover, Seat Cushion</b>	64340AG04AJC	#.6	375.27
<i>#Black listed, Order by Application</i>			
<b>2 Pad &amp; Frame, Seat</b>	64320AG00A	#.5	109.22
<i>#R&amp;R Complete, w/Seat Cushion Assy Removed</i>			
<b>3 Cover, Seat Back</b>	R 64350AG07AJC	#.8	373.57
L 64350AG11AJC		#.8	166.72
<i>#Black listed, Order by Application</i>			
<b>4 Pad, Seat Back</b>	R 64330AG01A	#.8	90.03
L 64330AG02A		#.8	76.98
<b>5 Frame, Seat Back</b>	R 64310AG01A	#.8	113.03
L 64310AG02A		#.8	116.60
<i>#Order by Application</i>			
<i>#R&amp;R One Side Complete, w/Seat Back Assy Removed</i>			
<b>6 Armrest, Center</b>	64380AG01AJC	141.88	
<i>#Black listed, Order by Application</i>			
<b>Lock, Seat Back</b>			
Outer	R 64383AG00A	48.83	
L 64383AG01A		48.83	

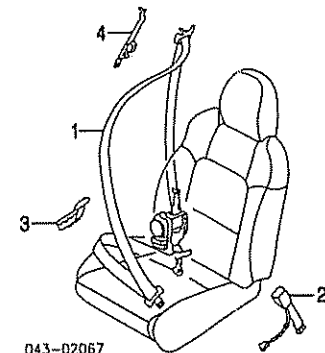


043-02066

<b>8 Rear</b>			
Black	64315AG00AJC	18.43	
Ivory	64315AG00AWA	18.43	
<b>9 Striker, Seat</b>	R 64375AG00A	9.38	
L 64375AG01A		9.38	
<b>10 Hinge, Backrest</b>			
Outer	R 64371AG00A	34.48	
L 64371AG01A		34.48	
<b>11 Center</b>			
<b>12 Headrest, Outer</b>	R/L 64261AG20A	54.80	
<b>13 Headrest, Center</b>	R/L 64261AG20AJC	2	107.32
L 64261AG12AJC		2	102.97
<i>#Order by Application</i>			
<b>Support, Headrest</b>			
Outer Headrest			
Locking			
Gray	R/L 64280FA130MU	6.47	
Ivory	R/L 64280FA130WA	20.00	
Non-Locking			
Gray	R/L 61917AG250MU	0.00	
Ivory	R/L 61917AG250WA	0.00	
<b>15 Center Headrest</b>			
Locking			
Gray	64280FA130MU	6.47	
Ivory	64280FA130MU	6.47	
<b>16 Holder, Backrest</b>			
Black	R/L 64328AG20AJC	19.47	
Ivory	R/L 64328AG20AWA	19.47	
<b>17 Support, Rear Seat</b>	R 64345AG00A	53.98	
L 64345AG01A		53.98	
<b>Holder, Seat Belt</b>			
Outer			
Black	R 64328AG11AJC	17.82	
Ivory	L 64328AG12AJC	34.77	
R 64328AG11AWA		17.82	
L 64328AG12AWA		17.82	
<b>19 Center</b>			
Black	R/L 64328AG10AJC	18.07	
Ivory	R/L 64328AG10AWA	18.07	
<b>20 Cap, Holder (4)</b>			
Black	64307AG00AJC	17.57	
Ivory	64307AG00AWA	18.88	
<b>21 Hook, Seat Cushion</b>	R/L 64396KA010	2.05	

## SEAT BELTS

### FRONT



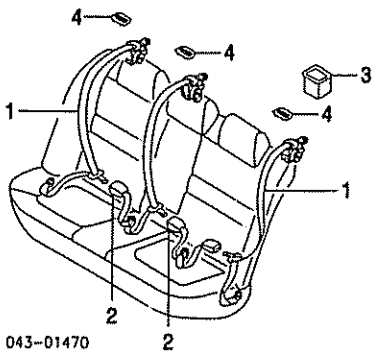
043-02067

<b>1 Belt, Seat</b>			
Black	R 64621AG20AJC	#.9	101.80
Ivory	L 64621AG21AJC	#.9	100.32
	R 64621AG20AWA	#.9	101.80
	L 64621AG21AWA	#.9	100.32
<i>#Includes R&amp;R Upper &amp; Lower Center Pillar Trim</i>			
<b>2 Buckle, Seat Belt</b>			
Black	R 64631AG00AJC	2	69.13



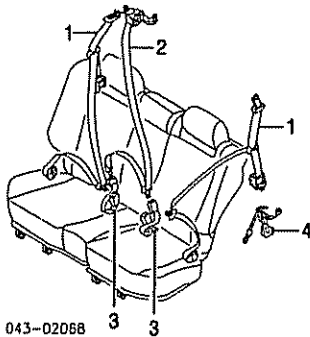
Ivory	L 64631AG01AJC	2	80.93
	R 64631AG00AWA	2	69.13
3 Cover, Belt]	L 64631AG01AWA	2	80.93
	R 64107AG00AJC		16.62
	L 64107AG01AJC		16.62
*Black listed, Order by Application			
4 Adjuster, Seat Belt	R/L 64703AG00A		25.55

**REAR SEDAN**



1 Belt, Outer Seat			
Black	R/L 64661AG00AJC	#.3	59.95
Ivory	R/L 64661AG00AWA	#.3	59.95
2 Belt, Center Seat			
Black	R 64681AG00AJC	#.3	79.95
	L 64681AG01AJC	#.3	49.95
Ivory	R 64681AG00AWA	#.3	79.95
	L 64681AG01AJC	#.3	49.95
*w/Seat Back Assy Removed			
3 Cover, Locking Retractor	64715AE060		9.90
4 Cover, Seat Belt (3)			
Black	64715AE02AJC		18.97
Ivory	64715AE02AWA		18.97

**REAR WAGON**



1 Belt, Outer Seat			
Black	R 64661AG10AJC	#.3	59.95
	L 64661AG11AJC	#.3	59.95
Ivory	R 64661AG10AWA	#.3	59.95
	L 64661AG11AWA	#.3	59.95
2 Belt, Center Seat			
Black	64681AG10AJC	#.3	69.95
Ivory	64681AG10AWA	#.3	69.95
3 Buckle, Center Seat			
Black	R 64681AG11AJC	#.3	59.95
	L 64681AG12AJC	#.3	49.95
Ivory	R 64681AG11AWA	#.3	59.95
	L 64681AG12AWA	#.3	49.95
*w/Seat Back Assy Removed			
4 Bracket, Belt Anchor	R 64705AG00A		98.95
	L 64705AG01A		98.95

**FRONT DOOR**

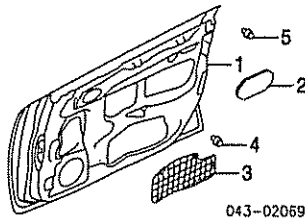
Use Procedure Explanations 16 and 28 with the following text.

**SHEET METAL**

Refinish Door Outside	R/L	2.0
Add for Jamb & Interior	R/L	1.0
R&I Door Assy	R/L	.7

Illustration Located in Next Column

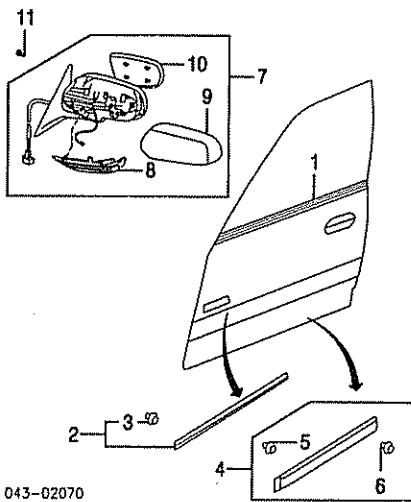
1 Shell, Door			
Legacy	R 60009AG10A9P	#4.5	526.70
	L 60009AG11A9P	#4.5	526.70



Outback	R 60009AG12A9P	#4.5	526.70
	L 60009AG13A9P	#4.5	526.70
*Includes R&I/R&R Mirror			
2 Damper, Door]	R/L 61083AG00A		14.15
*As Required			
3 Cover, Door	R 61134AG10A		32.97
	L 61134AG11A		32.97
4 Stopper, Door (2/Side)	R/L 760102330		1.22
5 Cushion, Door	R/L 909270000		7.37

**EXTERIOR TRIM**

Refinish Side Moulding			
Narrow Type	R/L	5	
Wide Type	R/L	1.0	
Refinish Mirror Assy	R/L	5	
R&I Belt Moulding	R/L	3	
R&I Mirror Assy	R/L	#.6	
*Includes R&I Trim Panel			



1 Moulding, Outer Belt	R 61280AG00A	3	29.33
	L 61280AG01A	3	29.33
2 Moulding Assy, Side (Adhesive)			
Narrow Type			
Atlantic Blue	R 91012AG08ABE	.2	58.35
	L 91012AG09ABE	.2	60.68
Black	R 91012AG00AVW	.2	54.88
	L 91012AG01AVW	.2	54.88
Gold	R 91012AG08AGA	.2	58.35
	L 91012AG09AGA	.2	58.35
Green	R 91012AG08AHZ	.2	58.35
	L 91012AG09AHZ	.2	58.35
Red	R 91012AG08ARO	.2	58.35
	L 91012AG09ARO	.2	58.35
Regal Blue	R 91012AG00ABH	.2	54.88
	L 91012AG01ABH	.2	54.88
Silver	R 91012AG00ATE	.2	54.88
	L 91012AG01ATE	.2	54.88
White	R 91012AG00AWH	.2	54.88
	L 91012AG01AWH	.2	54.88
Paint to Match	R 91012AG08ANN	.2	58.35
	L 91012AG09ANN	.2	58.35
3 Clip, Moulding] (a)	R/L 91012AG240		1.98
*Included w/Side Moulding Assy			
(a) As Required			
4 Moulding Assy, Side (Adhesive)			
Wide Type			
Atlantic Blue	R 91112AG28ABE	.4	131.18
	L 91112AG29ABE	.4	131.18
Black	R 91112AG28AVW	.4	129.76
	L 91112AG29AVW	.4	129.76
Gold	R 91112AG28AGA	.4	130.87
	L 91112AG29AGA	.4	130.87
Gray	R 91112AG28ALY	.4	129.50
	L 91112AG29ALY	.4	129.50
Green	R 91112AG28AFY	.4	130.62
	L 91112AG29AFY	.4	130.62
Red	R 91112AG28ARO	.4	131.93
	L 91112AG29ARO	.4	131.93
Silver	R 91112AG28ATE	.4	130.07
	L 91112AG29ATE	.4	130.07
White	R 91112AG28AWH	.4	167.63
	L 91112AG29AWH	.4	167.63
5 Clip, Upper Moulding (b) (c)	R/L 909130109		98

6 Clip, Lower Moulding (b) (c)	R/L 91111AG34A		3.87
(b) Included w/Side Moulding Assy			
(c) As Required			

7 Mirror Assy, Rear View			
Heated			
w/Turn Signal Lamps	R 91031AG06ABE	#.3	249.95
Atlantic Blue	L 91031AG07ABE	#.3	249.95
Black	R 91031AG06AVW	#.3	249.95
	L 91031AG07AVW	#.3	249.95
Gold	R 91031AG06AGA	#.3	249.95
	L 91031AG07AGA	#.3	249.95
Green	R 91031AG06AHZ	#.3	249.95
	L 91031AG07AHZ	#.3	249.95
Red	R 91031AG06ARO	#.3	249.95
	L 91031AG07ARO	#.3	249.95
Regal Blue	R 91031AG06ABH	#.3	249.95
	L 91031AG07ABH	#.3	249.95
Silver	R 91031AG06ATE	#.3	249.95
	L 91031AG07ATE	#.3	249.95
White	R 91031AG06AWH	#.3	249.95
	L 91031AG07AWH	#.3	249.95
w/o Turn Signal Lamps			
Atlantic Blue	R 91031AG02ABE	#.3	179.95
	L 91031AG03ABE	#.3	179.95
Black	R/L 91031AG02ANN	#.3	139.95
Gold	R 91031AG02AGA	#.3	179.95
	L 91031AG03AGA	#.3	179.95
Green	R 91031AG02AHZ	#.3	179.95
	L 91031AG03AHZ	#.3	179.95
Obsidian Black	R 91031AG02AVW	#.3	179.95
	L 91031AG03AVW	#.3	179.95
Red	R 91031AG02ARO	#.3	179.95
	L 91031AG03ARO	#.3	179.95
Regal Blue	R 91031AG02ABH	#.3	179.95
	L 91031AG03ABH	#.3	179.95
Silver	R 91031AG02ATE	#.3	179.95
	L 91031AG03ATE	#.3	179.95
White	R 91031AG02AWH	#.3	179.95
	L 91031AG03AWH	#.3	179.95
Non-Heated			
Atlantic Blue	R 91031AG00ABE	#.3	179.95
	L 91031AG01ABE	#.3	179.95
Black	R 91031AG00AVW	#.3	179.95
	L 91031AG01AVW	#.3	179.95
Regal Blue	R 91031AG00ABH	#.3	179.95
	L 91031AG01ABH	#.3	179.95
Silver	R 91031AG00ATE	#.3	179.95
	L 91031AG01ATE	#.3	179.95
White	R 91031AG00AWH	#.3	179.95
	L 91031AG01AWH	#.3	179.95
*w/Trim Panel Removed			
8 Lamp, Turn Signal (d)	R 84401AG020		162.02
	L 84401AG030		162.02
9 Cover, Mirror (d)			
w/Turn Signal Lamps			
Atlantic Blue	R 91054AG02ABE	2	70.20
	L 91054AG03ABE	2	70.20
Black	R 91054AG02AVW	2	70.20
	L 91054AG03AVW	2	70.20
Gold	R 91054AG02AGA	2	70.20
	L 91054AG03AGA	2	70.20
Green	R 91054AG02AHZ	2	70.20
	L 91054AG03AHZ	2	70.20
Red	R 91054AG02ARO	2	75.05
	L 91054AG03ARO	2	75.05
Regal Blue	R 91054AG02ABH	2	70.20
	L 91054AG03ABH	2	70.20
Silver	R 91054AG02ATE	2	70.20
	L 91054AG03ATE	2	70.20
White	R 91054AG02AWH	2	77.43
	L 91054AG03AWH	2	77.43
w/o Turn Signal Lamps			
Atlantic Blue	R 91054AG00ABE	2	70.20
	L 91054AG01ABE	2	70.20
Black	R 91012AG00ANN	2	52.58
	L 91012AG01ANN	2	52.58
Green	R 91054AG00AHZ	2	70.20
	L 91054AG01AHZ	2	70.20
Gold	R 91054AG00AGA	2	70.20
	L 91054AG01AGA	2	70.20
Obsidian Black	R 91054AG00AVW	2	70.20
	L 91054AG01AVW	2	70.20
Red	R 91054AG00ARO	2	75.05
	L 91054AG01ARO	2	75.05
Regal Blue	R 91054AG00ABH	2	70.20
	L 91054AG01ABH	2	70.20
Silver	R 91054AG00ATE	2	70.20
	L 91054AG01ATE	2	70.20
White	R 91054AG00AWH	2	77.43
	L 91054AG01AWH	2	77.43
10 Glass, Mirror (d)			
Heated			
w/Turn Signal Lamps	R 91039AG06A	.4	72.62
	L 91039AG07A	.4	65.33
w/o Turn Signal Lamps	R 91039AG02A	.4	72.62
	L 91039AG03A	.4	65.33
Non-Heated	R 91039AG00A	.4	58.10
	L 91039AG01A	.4	50.82
(d) Included w/Rear View Mirror Assy			
11 Screw, Mirror Mount (3/Side)	R/L 904560007		.48

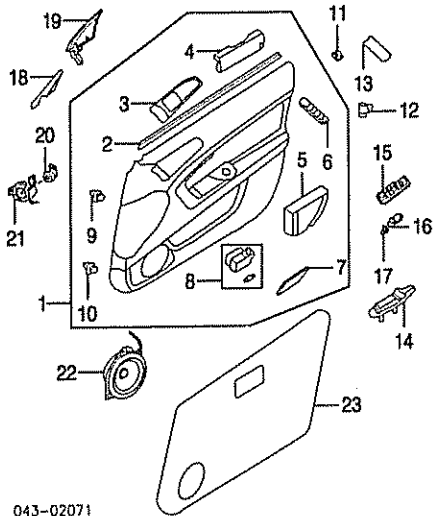
**INTERIOR TRIM**

R&I Trim Panel Assy	R/L	.3
---------------------	-----	----

NOTE: All Parts in this section are included in R&I Trim Panel unless noted otherwise.

## FRONT DOOR Cont'd

### INTERIOR TRIM Cont'd



043-02071

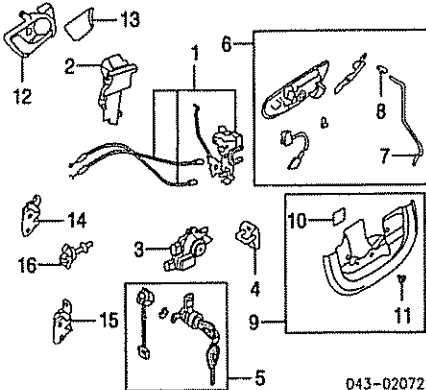
1 Panel Assy, Trim	R 94219AG74AWA L 94219AG75AWA	5	288.27
<i>Order by Application</i>			
2 Moulding, Inner Belt (a)	R 61282AG00A L 61282AG01A		53.90
3 Cover, Control Panel (a)	R/L 94236AG02A		21.35
4 Pad, Door Trim Upper (a)	R 94257AG00A L 94257AG01A		17.90
5 Pad, Door Trim Lower (a)	R 94257AG02A L 94257AG03A		16.38
6 Grip, Handle (a)	R 94237AG06A L 94237AG07A		20.45
7 Lens, Step Lamp (a)	R 94256AG14A L 94256AG15A		11.93
8 Lamp, Step (a)	R/L 94256AG02A		17.12
9 Clip, No. 1 Trim (a) (2/Side)	R/L 909130077		2.63
10 Clip, No. 2 Trim (a) (14/Side)	R/L 909130105		98
<i>(a) Included w/Trim Panel Assy</i>			
<b>Bracket, Door Grip</b>			
11 Upper (2/Side)	R/L 94286AG02A	4	12
12 Lower	R/L 94286AG03A	4	68
13 Cover, Door Grip	R 94237AG02A L 94237AG03A		23.90
14 Panel, Switch	R 94266AG05A L 94266AG07A	2	14.85
<b>Switch, Window Power</b>			
15 Main	L 83071AG05A	2	69.42
16 Sub	R 83071AG04A	2	21.73
17 Manual	R 83073AG00A	2	12.97
18 Gusset, Door	R 94251AG04A L 94251AG05A		43.25
19 Cover, Door Corner	R 61158AG00A L 61158AG01A		37.85
20 Speaker, Tweeter	R/L 86301AG88A	#2	074.55
<b>Bracket, Speaker</b>			
6 Speaker System	R 86304AG80A L 86301AG81A	#	035.13
7 Speaker System	R 86304AG86A L 86304AG87A	#	054.07
<b>Speaker, Door</b>			
6 Speaker System	R 86301AG60A L 86301AG61A	#2	49.38
7 Speaker System	R 86301AG66A L 86301AG67A	#2	49.95
		#2	72.95
		#2	72.92
23 Shield, Moisture	R/L 61244AG00A	#	1.54
<i>#w/Trim Panel Removed, Not Included in R&amp;R Trim Panel</i>			

### HARDWARE

Refinish Outside Handle	R/L	4
Refinish Upper Hinge	R/L	3
Refinish Lower Hinge	R/L	3
R&I Outside Handle	R/L	#1.3
<i>#Includes R&amp;I Trim Panel &amp; R&amp;R Door Glass</i>		

Illustration Located in Next Column

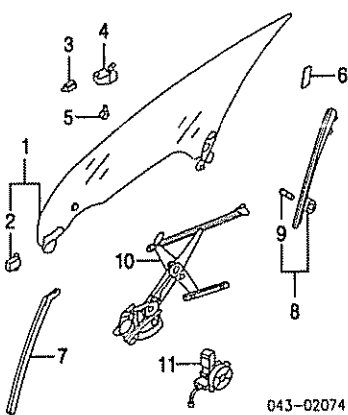
1 Latch, Door	R 61031AG15A L 61031AG16A	#3	56.33
2 Cover, Latch	R 61134AG02A L 61134AG03A		50.82
3 Actuator, Latch	R/L 61100AG01A	#4	69.26
<i>#w/Trim Panel Removed</i>			
4 Striker, Latch	R/L 61264AG00A	2	4.62
5 Cylinder, Door Lock	57491AG40A		69.13
<i>#Included w/Complete Lock Set-listed in Steering Wheel/Column Section</i>			



043-02072

6 Handle Assy, Outside			
Atlantic Blue	R 61021AG00ABE	#3	54.93
Black	L 61021AG01ABE	#3	54.93
Black	R 61021AG00AVW	#3	54.93
Gold	L 61021AG01AVW	#3	54.93
Green	R 61021AG00AGA	#3	54.93
Green	L 61021AG01AGA	#3	54.93
Red	R 61021AG00AHZ	#3	54.93
Red	L 61021AG01AHZ	#3	54.93
Regal Blue	R 61021AG00ARO	#3	54.93
Regal Blue	L 61021AG01ARO	#3	54.93
Silver	R 61021AG00ABH	#3	54.93
Silver	L 61021AG01ABH	#3	54.93
White	R 61021AG00ATE	#3	54.93
White	L 61021AG01ATE	#3	54.93
White	R 61021AG00AWH	#3	54.93
White	L 61021AG01AWH	#3	54.93
Paint to Match	R 61021AG02ANN L 61021AG03ANN	#3	36.50
<i>#w/Trim Panel &amp; Door Glass Removed</i>			
7 Rod, Outer Handle (b)	R 61228AG00A L 61228AG01A		33.70
8 Holder, Rod (b)	R/L 62150AA540		4.63
<i>(b) Included w/Outside Handle Assy</i>			
9 Bracket Assy, Outside Handle	R 61110AG220 L 61110AG230		22.88
10 Gasket, Bracket (c)	R/L 57791FA040		1.98
11 Clip, Bracket (c)	R/L 909140017		79
<i>(c) Included w/Outside Handle Bracket Assy</i>			
12 Handle, Inside	R 61051AG00AJC L 61051AG01AJC	#2	19.30
<i>#w/Trim Panel Removed</i>			
13 Cap, Inside Handle	R 61120AG00AJC L 61120AG01AJC		4.03
14 Hinge, Upper	R 60470AG00A9P L 60470AG01A9P	#2	9.50
15 Hinge, Lower	R 60470AG02A9P L 60470AG03A9P	#2	9.25
<i>#w/Door Removed, Includes Recaulk Edge</i>			
16 Check, Door	R/L 63302FC001	#2	34.07
<i>#w/Trim Panel Removed</i>			

### GLASS & PARTS



043-02074

1 Glass Assy, Front Door			
Subaru	R 61011AG02A L 61011AG03A	1.0	146.95
NAGS	R/L FD22357-8GTN	1.0	0.00
2 Slider, Glass	R/L 62224FC000		4.45
<i>#Included w/Front Door Glass Assy</i>			
3 Stabilizer, Outer Glass (2/Side)	R/L 61256AE010		10.95
4 Stabilizer, Inner Glass (2/Side)	R/L 62304FC000		11.60
5 Guide, Front Glass	R 61154AG000 L 61154AG010		22.88
6 Plug, Slide	R 61216AG00A L 61216AG01A		1.18
7 Channel, Front Run	R 61240AG100 L 61240AG110	#1	28.60

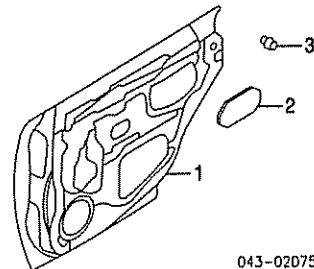
8 Channel Assy, Rear Run	R 61240AG120 L 61240AG130	#1	28.60
<i>#w/Door Glass Removed</i>			
9 Clip, Run Channel (a) (2/Side)	R/L 61626AG000		98
<i>(a) Included w/Rear Run Channel Assy</i>			
10 Regulator, Power	R 61222AG00A L 61222AG01A	#1.2	120.48
		#1.2	120.48
<i>#Includes R&amp;R Door Glass</i>			
11 Motor, Regulator	R 61188AG00A L 61188AG01A	#2	96.82
		#2	96.82
<i>#w/Trim Panel Removed</i>			

## REAR DOOR

Use Procedure Explanations 16 and 28 with the following text.

### SHEET METAL

Refinish Rear Door Outside	R/L	2.0
Add for Jamb & Interior	R/L	1.0
R&I Door Assy	R/L	7

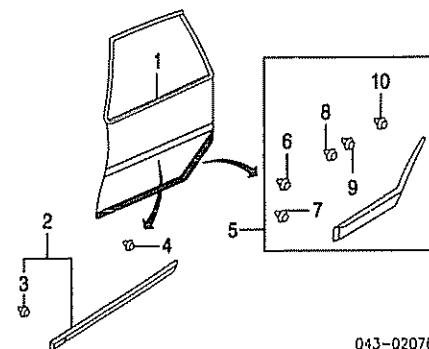


043-02075

1 Shell, Door			
Legacy	R 60409AG10A9P L 60409AG11A9P	4.0	526.70
Outback	R 60409AG12A9P L 60409AG13A9P	4.0	526.70
2 Damper, Door	R/L 61083AG00A		14.15
<i>(As Required)</i>			
3 Stopper, Door (2/Side)	R/L 760102330		1.22

### EXTERIOR TRIM

Refinish Side Moulding			
Narrow Type	R/L	5	
Wide Type	R/L	1.0	
R&I Belt Moulding	R/L	3	



043-02076

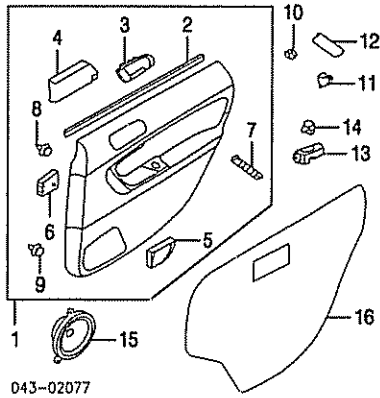
1 Moulding, Outer Belt	R 62280AG00A L 62280AG01A	3	28.72
2 Moulding Assy, Side (Adhesive)			
Narrow Type			
Legacy	R 91012AG02ABE L 91012AG03ABE	2	46.67
Black	R 91012AG02AVW L 91012AG03AVW	2	46.67
Red	R 91012AG02ARO L 91012AG03ARO	2	46.67
Regal Blue	R 91012AG02ABH L 91012AG03ABH	2	46.67
Silver	R 91012AG02ATE L 91012AG03ATE	2	46.67
White	R 91012AG02AWH L 91012AG03AWH	2	46.67
Paint to Match	R 91012AG02ANN L 91012AG03ANN	2	46.67
Outback			
Atlantic Blue	R 91012AG10ABE L 91012AG11ABE	2	53.28
Black	R 91012AG10ANN L 91012AG11ANN	2	40.37
Gold	R 91012AG10AGA L 91012AG11AGA	2	53.28
Green	R 91012AG10AHZ L 91012AG11AHZ	2	53.28
Obsidian Black	R 91012AG10AVW L 91012AG11AVW	2	53.28
Red	R 91012AG10ARO L 91012AG11ARO	2	53.28

Silver	R 91012AG10ATE	.2	53.28
	L 91012AG11ATE	.2	53.28
White	R 91012AG10AWH	.2	53.28
	L 91012AG11AWH	.2	53.28
3 Clip, No. 1 Moulding (a)	R/L 91012AG240		1.98
<i>(Included w/Side Moulding Assy)</i>			
4 Clip, No. 2 Moulding (a)	R/L 91012AG250		1.98
<i>(a) As Required</i>			
5 Moulding Assy, Slide (Adhesive)			
Wide type			
Atlantic Blue	R 91112AG30ABE	.4	172.62
	L 91112AG31ABE	.4	172.62
Black	R 91112AG30ANN	.4	135.65
	L 91112AG31ANN	.4	135.65
Gold	R 91112AG30AGA	.4	172.30
	L 91112AG31AGA	.4	172.30
Gray	R 91112AG30ALY	.4	170.88
	L 91112AG31ALY	.4	170.88
Green	R 91112AG30AFY	.4	172.05
	L 91112AG31AFY	.4	172.05
Red	R 91112AG30ARO	.4	173.38
	L 91112AG31ARO	.4	173.38
Silver	R 91112AG30ATE	.4	171.45
	L 91112AG31ATE	.4	171.45
White	R 91112AG30AWH	.4	209.05
	L 91112AG31AWH	.4	209.05
6 Clip, Upper Moulding (a) (b)	R/L 909130109		98
7 Clip, Lower Moulding (a) (b)	R/L 91111AG34A		3.87
8 Clip, No. 1 Moulding (a) (b)	R/L 909130135		98
<i>(a) As Required</i>			
9 Clip, No. 2 Moulding (b)	R/L 909130029		5.80
10 Clip, Moulding Rear (b)	R/L 909120029		60
<i>(b) Included w/Side Moulding Assy</i>			

**INTERIOR TRIM**

R&I Trim Panel	R/L	.3
----------------	-----	----

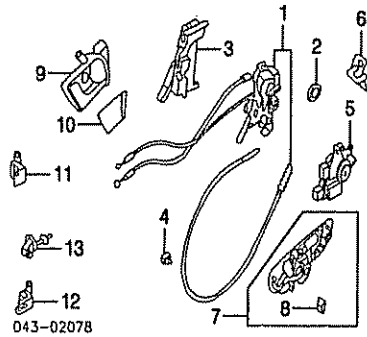
NOTE: All Parts in this section are included in R&R Trim Panel unless noted otherwise.



1 Panel Assy, Trim (a)	R 94239AG30AWA	5	223.95
	L 94239AG31AWA	5	223.95
<i>(a) Order by Application</i>			
2 Moulding, Inner Belt (a)	R/L 61282AG02A	.4	50.62
3 Cover, Control Panel (a)	R 94246AG02A		12.88
	L 94246AG03A		12.88
4 Pad, Door Trim Upper (a)	R 94257AG04A		20.17
	L 94257AG05A		20.17
5 Pad, Door Trim Lower (a)	R 94257AG06A		14.20
	L 94257AG07A		14.20
6 Pad, Rear Trim (a)	R 94257AG16A		15.30
	L 94257AG17A		15.30
7 Grip, Handle (a)	R 94247AG06A		20.28
	L 94247AG07A		20.28
8 Clip, No. 1 Trim (a) (2/Side)	R/L 909130077		2.63
9 Clip, No. 2 Trim (a) (14/Side)	R/L 909130105		98
<i>(a) Included w/Trim Panel Assy</i>			
Bracket, Door Grip			
10 Upper (2/Side)	R/L 94286AG02A		4.12
11 Lower	R/L 94286AG04A		4.62
12 Cover, Door Grip	R 94247AG02A		23.45
	L 94247AG03A		23.45
13 Panel, Switch	R 94266AG08A	2	11.93
	L 94266AG09A	2	11.93
14 Switch, Window	R/L 83071AG04A		21.73
15 Speaker, Door			
6 Speaker System	R/L 86301AG70A	#.2	47.28
7 Speaker System	R/L 86301AG76A	#.2	64.97
16 Shield, Moisture	R/L 62244AG00A	#	1.38
<i>#w/Trim Panel Removed, Not Included in R&amp;R Trim Panel</i>			

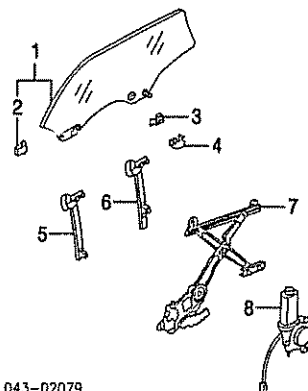
**HARDWARE**

Refinish Outside Handle	R/L	.4
Refinish Upper Hinge	R/L	.3
Refinish Lower Hinge	R/L	.3
R&I Outside Handle	R/L	#1.3
<i>#Includes R&amp;I Trim Panel &amp; R&amp;R Door Glass</i>		



1 Latch, Door	R 61034AG00A	#.3	67.43
	L 61034AG01A	#.3	67.43
2 Plug, Latch	R/L 62216AG00A		54
3 Cover, Latch	R 62134AG00A		50.62
	L 62134AG01A		50.62
4 Clip, Cable	R/L 61166AG20A		3.62
5 Actuator, Latch	R/L 61100AG00A	#.4	69.28
<i>#w/Trim Panel Removed</i>			
6 Striker, Latch	R/L 61264AG00A	.2	4.62
7 Handle Assy, Outside			
Atlantic Blue	R 61022AG00ABE	#.3	52.87
	L 61022AG01ABE	#.3	52.87
Black	R 61022AG02ANN	#.3	34.97
	L 61021AG02ANN	#.3	36.50
Gold	R 61022AG00AGA	#.3	52.87
	L 61022AG01AGA	#.3	52.87
Green	R 61022AG00AHZ	#.3	52.87
	L 61022AG01AHZ	#.3	52.87
Obsidian Black	R 61022AG00AVV	#.3	52.87
	L 61022AG01AVV	#.3	52.87
Red	R 61022AG00ARO	#.3	52.87
	L 61022AG01ARO	#.3	52.87
Regal Blue	R 61022AG00ABH	#.3	52.87
	L 61022AG01ABH	#.3	52.87
Silver	R 61022AG00ATE	#.3	52.87
	L 61022AG01ATE	#.3	52.87
White	R 61022AG00AWH	#.3	52.87
	L 61022AG01AWH	#.3	52.75
<i>#w/Trim Panel &amp; Door Glass Removed</i>			
8 Holder, Rod (b)	R 62167AG100		27.57
	L 62167AG110		23.45
<i>(b) Included w/Outside Handle Assy</i>			
9 Handle, Inside	R 61051AG00AJC	#.2	19.30
	L 61051AG01AJC	#.2	33.20
<i>#w/Trim Panel Removed</i>			
10 Cap, Inside Handle	R 61120AG00AJC	4.03	4.03
	L 61120AG01AJC		4.03
11 Hinge, Upper	R 60470AG00A9P	#.2	9.50
	L 60470AG01A9P	#.2	9.50
12 Hinge, Lower	R 60470AG02A9P	#.2	9.25
	L 60470AG03A9P	#.2	9.25
<i>#w/Door Removed</i>			
13 Check, Door	R/L 63302FC001	#.2	34.07
<i>#w/Trim Panel Removed</i>			

**GLASS & PARTS**



1 Glass Assy, Front Door			
Subaru			
Sedan	R 62011AG12A	1.0	129.95
	L 62011AG13A	1.0	129.95
Wagon	R 62011AG02A	1.0	129.95
	L 62011AG03A	1.0	129.95
NAGS			
Sedan	R FD22359GTN	1.0	0.00
	L FD22360GTN	1.0	0.00
Wagon	R/L FD22364-GTIN	1.0	0.00
	R/L 61248AG000		17.15
<i>(Included w/Front Door Glass Assy)</i>			
3 Stabilizer, Outer Glass (2/Side)	R/L 61256AE010		10.95
4 Stabilizer, Inner Glass (2/Side)	R/L 62304FC000		11.60
5 Channel, Front Run	R 62240AG100	#.1	28.60
	L 62240AG110	#.1	28.60

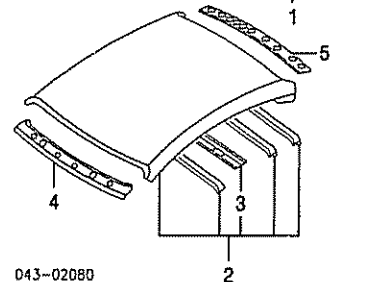
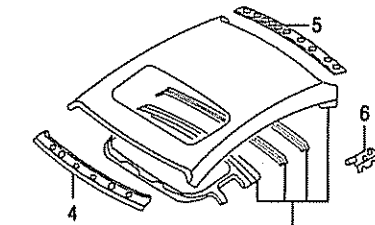
6 Channel, Rear Run	R 62240AG120	#.1	28.60
	L 62240AG130	#.1	28.60
<i>#w/Door Glass Removed</i>			
7 Regulator, Power	R 62222AG00A	#1.2	103.85
	L 62222AG01A	#1.2	103.85
<i>#Includes R&amp;R Door Glass</i>			
8 Motor, Regulator	R 62188AG00A	#.2	94.38
	L 62188AG01A	#.2	94.38
<i>#w/Trim Panel Removed</i>			

**ROOF**

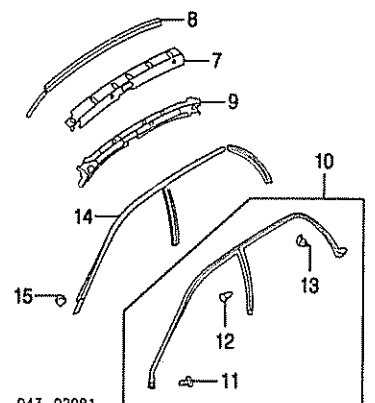
Use Procedure Explanations 17 and 28 with the following text.

**SHEET METAL/EXTERIOR TRIM SEDAN**

Refinish Roof Outside	2.6
-----------------------	-----



Panel Assy, Roof (a)			
1 w/Sunroof	53600AG03A9P	19.0	290.10
2 w/o Sunroof	53600AG02A9P	18.0	215.62
<i>(a) Order by Application</i>			
3 Rail, Center Roof (a)			
w/o Sunroof	53700AG09A9P	1.5	56.98
<i>(Included w/Roof Panel Assy)</i>			
4 Panel, Front Header (a)			
w/Sunroof	53400AG13A9P	1.5	135.60
w/o Sunroof	53400AG12A9P	1.5	135.03
<i>(a) Order by Application</i>			
5 Panel, Rear Header	53410AG02A9P	1.5	34.93
6 Bracket, Sunroof Frame	R 53620AG10A		11.93
	L 53620AG11A		11.93



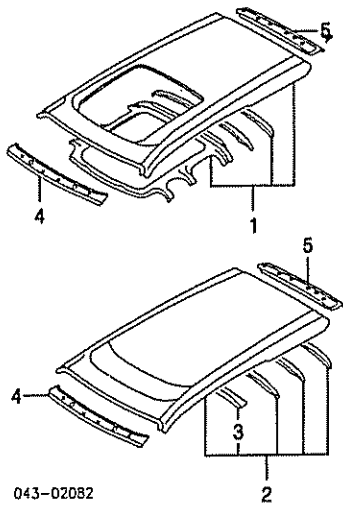
7 Rail, Outer Side	R 51425AG02A9P		97.82
	L 51425AG03A9P		97.82
8 Rail, Drip	R 51435AG04A9P		22.75
	L 51435AG05A9P		22.75
9 Rail, Inner Roof Side	R 51529AG06A9P		100.48
	L 51529AG07A9P		100.48
10 Weatherstrip Assy, Roof			
Body Side	R 63521AG10A	#.6	80.40
	L 63521AG11A	#.6	80.40
11 Clip, No. 1 (a) (8/Side)	R/L 90381PAD10		6.17
12 Clip, No. 2 (a) (2/Side)	R/L 909120041		98
13 Clip, No. 3 (a) (4/Side)	R/L 909120023		60
<i>(a) Included w/Roof Weatherstrip Assy</i>			
14 Moulding, Roof	R 63531AG10A	#.6	111.42
	L 63531AG11A	#.6	111.42
<i>#R&amp;R One Side Complete</i>			
15 Grommet, Moulding (18/Side)	R/L 62731FA000		80

# SUBARU LEGACY/OUTBACK 2005

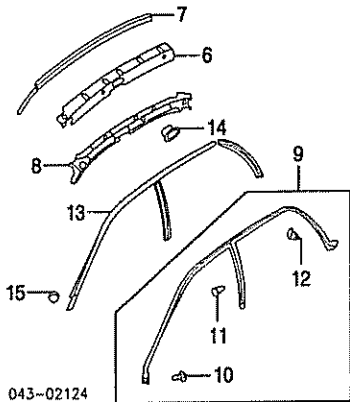
## ROOF Cont'd

### SHEET METAL/EXTERIOR TRIM WAGON

Refinish Roof Outside ..... 3.0



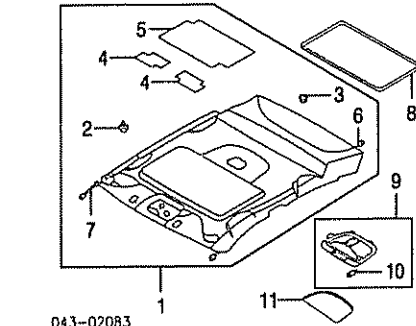
Panel Assy, Roof (a)	53600AG01A9P	20.0	299.37
1 w/Sunroof	53600AG00A9P	19.0	238.47
2 w/o Sunroof			
<i>(a) Order by Application</i>			
3 Rail, Center Roof	53700AG09A9P	1.5	56.98
w/o Sunroof			
<i>(b) Included w/Roof Panel Assy</i>			
4 Panel, Front Header (a)	53400AG11A9P	1.5	128.87
w/Sunroof	53400AG12A9P	1.5	135.03
w/o Sunroof			
<i>(a) Order by Application</i>			
5 Panel, Rear Header	53410AG00A9P	1.5	49.25



6 Rail, Outer Side	R 51425AG00A9P	100.82	
L 51425AG01A9P		100.82	
R 51435AG06A9P		22.75	
L 51435AG05A9P		22.75	
R 51529AG04A9P		97.48	
L 51529AG05A9P		97.48	
9 Weatherstrip Assy, Roof Body Side	R 63521AG00A	#.6	91.95
L 63521AG01A		#.6	91.95
10 Clip, No. 1 (b) (8/Side)	R/L 90381PA010		6.17
11 Clip, No. 2 (b) (2/Side)	R/L 909120041		98
12 Clip, No. 3 (b) (4/Side)	R/L 909120023		.60
<i>(b) Included w/Roof Weatherstrip Assy</i>			
13 Moulding, Roof	R 63531AG00A	#.6	135.47
L 63531AG01A		#.6	135.47
<i>#R&amp;R One Side Complete</i>			
14 Grommet, Moulding No. 1 (4/Side)	R/L 791017980		3.18
15 No. 2 (18/Side)	R/L 62731FA000		.80

### INTERIOR TRIM SEDAN W/SUNROOF

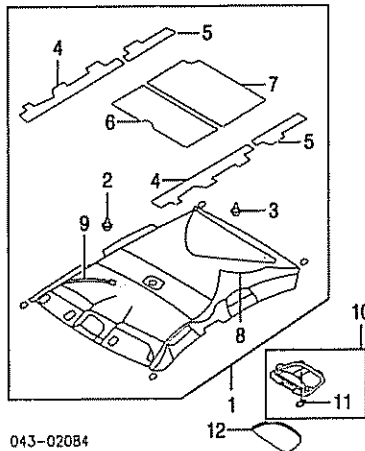
R&I Headliner ..... 2.0



1 Headliner Assy (a)	94420AG50AOR	2.0	377.23
<i>(a) Order by Application</i>			
<i>Clip, Headliner</i>			
2 No. 1 (3)	909130105		98
3 No. 2 (4)	909130140		98
4 Insulator, Front (2)	94474AG65A		22.10
5 Insulator, Rear	94474AG64A		34.73
6 Cord, Antenna	86325AG26A		57.40
7 Harness, Roof (a)	81801AG13A		68.63
<i>(a) Included w/Headliner Assy</i>			
<i>(a) Order by Application</i>			
8 Garnish, Sunroof	94470AG03AOR		13.58
9 Lamp Assy, Room	84601AG01AOR	.2	91.97
10 Bulb, Room Lamp (b)	84920AC050	.2	1.95
<i>(b) Included w/Room Lamp Assy</i>			
11 Lens, Lamp	84602AG01A		48.38

### INTERIOR TRIM SEDAN W/O SUNROOF

R&I Headliner ..... 2.0



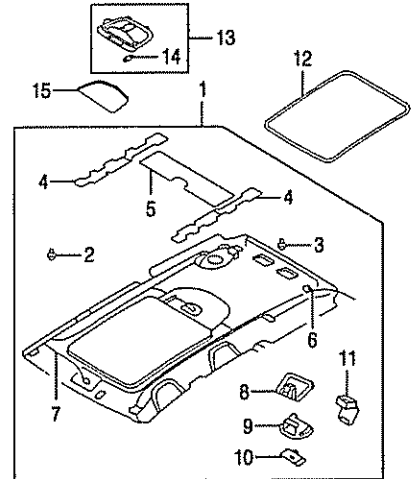
1 Headliner Assy (a)	94410AG50AOR	2.0	377.83
<i>(a) Order by Application</i>			
<i>Clip, Headliner</i>			
2 No. 1 (3)	909130105		98
3 No. 2 (4)	909130140		98
4 Insulator, Side Front	R/L 94474AG60A		29.58
5 Insulator, Rear Side	R/L 94474AG61A		24.60
<i>Insulator, Center</i>			
6 Front	94474AG62A		35.52
7 Rear	94474AG64A		34.73
8 Cord, Antenna	86325AG26A		57.40
9 Harness, Roof (a)	81801AG12A		57.77
<i>(a) Included w/Headliner Assy</i>			
<i>(a) Order by Application</i>			
10 Lamp Assy, Room	84601AG01AOR	.2	91.97
11 Bulb, Room Lamp (b)	84920AC050	.2	1.95
<i>(b) Included w/Room Lamp Assy</i>			
12 Lens, Lamp	84602AG01A		48.38

### INTERIOR TRIM WAGON W/SUNROOF

R&I Headliner ..... 2.0

*Illustration Located in Next Column*

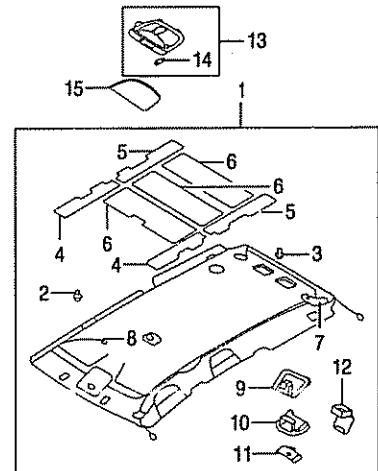
1 Headliner Assy (a)	94421AG50AOR	2.0	372.53
<i>(a) Order by Application</i>			
<i>Clip, Headliner</i>			
2 No. 1 (3)	909130105		98
3 No. 2 (4)	909130140		98



4 Insulator, Side	R/L 94474AG65A		30.20
5 Insulator, Center	94474AG63A		34.82
6 Cord, Antenna	86325AG26A		57.40
7 Harness, Roof (a)	81801AG07A		62.38
8 Holder, Sunroof (a)	94472AG1200R		16.78
9 Cover, Holder (a)	94472AG5000R		13.17
10 Cap, Bell (a)	94482FC5010R		9.60
<i>(a) Order by Application</i>			
11 Cover, Child Anchor	94461AG02AOR		12.83
<i>(b) Included w/Headliner Assy</i>			
12 Garnish, Sunroof	94470AG02AOR		15.22
13 Lamp Assy, Room	84601AG01AOR	.2	91.97
14 Bulb, Room Lamp (b)	84920AC050	.2	1.95
<i>(b) Included w/Room Lamp Assy</i>			
15 Lens, Lamp	84602AG01A		48.38

### INTERIOR TRIM WAGON W/O SUNROOF

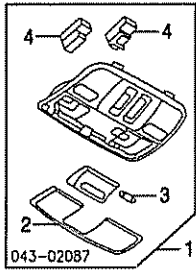
R&I Headliner ..... 2.0



1 Headliner Assy (a)	94411AG50AOR	2.0	411.13
<i>(a) Order by Application</i>			
<i>Clip, Headliner</i>			
2 No. 1 (3)	909130105		98
3 No. 2 (4)	909130140		98
4 Insulator, Side Front	R/L 94474AG60A		29.58
5 Insulator, Side Rear	R/L 94474AG61A		24.60
6 Insulator, Center (3)	94474AG62A		35.52
7 Cord, Antenna	86325AG26A		57.40
8 Harness, Roof (a)	81801AG06A		57.77
9 Holder, Sunroof (a)	94472AG1200R		16.78
10 Cover, Holder (a)	94472AG5000R		13.17
11 Cap, Bell (a)	94482FC5010R		9.60
<i>(a) Order by Application</i>			
12 Cover, Child Anchor	94461AG02AOR		12.83
<i>(b) Included w/Headliner Assy</i>			
13 Lamp Assy, Room	84601AG01AOR	.2	91.97
14 Bulb, Room Lamp (b)	84920AC050	.2	1.95
<i>(b) Included w/Room Lamp Assy</i>			
15 Lens, Lamp	84602AG01A		48.38

### OVERHEAD CONSOLE W/SUNROOF

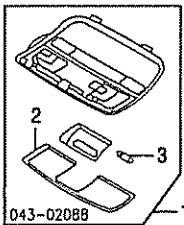
R&I Overhead Console Assy ..... 3



1 Console Assy, Overhead			
Sedan	R 84621AG09A	.3	182.78
Wagon	R 84621AG11A	.3	182.78
2 Lens, Lamp]	R 92153AG01A		48.38
3 Bulb] (2)	R 84920AC050	.1	1.95
4 Switch, Sunroof] (a) (2)	R 83341AG010	.2	19.58
<i>Included w/Overhead Console Assy</i>			
<i>(a) Order by Application</i>			

**OVERHEAD CONSOLE W/O SUNROOF**

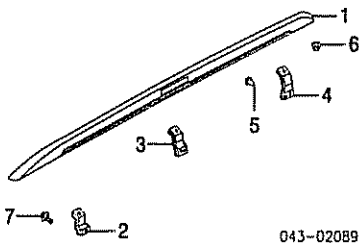
R&I Overhead Console Assy	#	3	
---------------------------	---	---	--



1 Console Assy, Overhead			
Sedan	R 84621AG08A	.3	182.78
Wagon	R 84621AG10A	.3	182.78
2 Lens, Lamp]	R 92153AG01A		48.38
3 Bulb] (2)	R 84920AC050	.1	1.95
<i>Included w/Overhead Console Assy</i>			
<i>(a) Order by Application</i>			

**ROOF LUGGAGE RACK**

R&I Luggage Rack Assy	#	8	
R&R Luggage Rack Complete (Includes R&I)	#	1.0	
<i>#w/Headliner Removed</i>			



1 Rail, Luggage Rack			
Legacy	R 91151AG04A	.4	143.20
	L 91151AG05A	.4	143.48
Outback	R 91151AG02A	.4	196.10
	L 91151AG03A	.4	144.65

<i>#w/Headliner Removed</i>			
2 Bracket, Front Rail	R 91165AG06A9P	.1	12.75
	L 91165AG07A9P	.1	12.75
3 Bracket, Center Rail	R 91165AG08A9P	.1	10.42
	L 91165AG09A9P	.1	10.42
4 Bracket, Rear Rail	R 91165AG10A9P	.1	10.50
	L 91165AG11A9P	.1	10.50

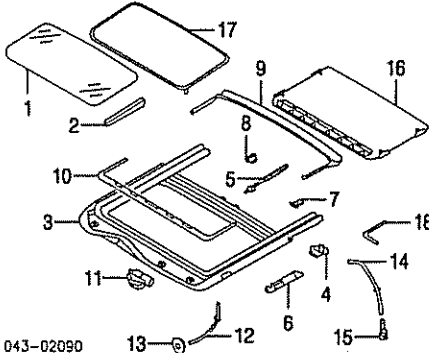
<i>#w/Headliner Removed, Not Included in R&amp;I/R&amp;R Luggage Rack Complete</i>			
5 Clip, Bracket (3/Side)	R/L 91017GA400		.70
6 Nut, Flange (3/Side)	R/L 902370025		.60
7 Screw, Mounting (3/Side)	R/L 047406126		1.18

**SUNROOF**

**SEDAN**

O/H Sunroof Assy	#	3.0	
<i>#w/Headliner Removed</i>			

NOTE: All Parts in this section are included in Overhaul unless noted otherwise.

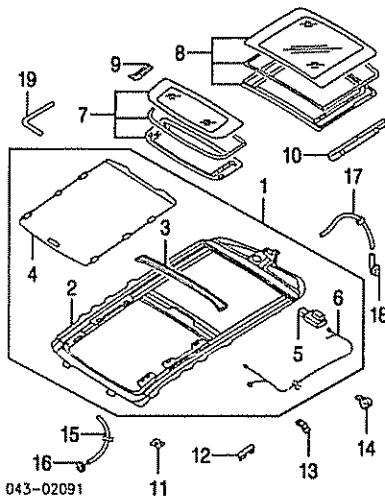


1 Glass, Sunroof	R 65430AG02A	1.0	349.95
2 Cover, Glass	R/L 65407AG04A		24.65
3 Rail, Roof	R 65420AG01A	#2.5	303.83
<i>#w/Headliner Removed</i>			
4 Cap, End	R 65422AG00A		7.08
	L 65422AG01A		7.08
5 Guide, Cable	R 65441AG00A		32.83
	L 65441AG00A		26.00
6 Bracket, Sunroof Rear	R 65403AG03A		76.99
	L 65403AG04A		76.98
7 Spacer, Support	R 65461AG00A		26.00
	L 65461AG01A		26.00
8 Drain, Sunroof	R 65417AG02A		3.58
	L 65417AG03A		3.58
9 Channel, Drain	R 65417AG01A		52.63
10 Deflector, Air	R 65471AG01A	.3	86.87
11 Motor, Sunroof	R/L 65450AG01A	.8	148.17
12 Tube, Front Drain	R/L 65475AG02A		7.32
13 Grommet, Front Tube	R/L 65455AG00A		1.82
14 Tube, Rear Drain	R/L 65475AG03A		8.23
15 Grommet, Rear Drain	R/L 65454AA020		14.42
16 Sunshade, Sunroof	R 65470AG01AOR	.6	113.53
17 Weatherstrip, Sunroof	R 65467AG00A	.2	47.07
18 Handle, Sunroof	R 65427AG00A		1.54

**WAGON**

O/H Sunroof Assy	#	4.0	
<i>#w/Headliner Removed</i>			

NOTE: All Parts in this section are included in Overhaul unless noted otherwise.

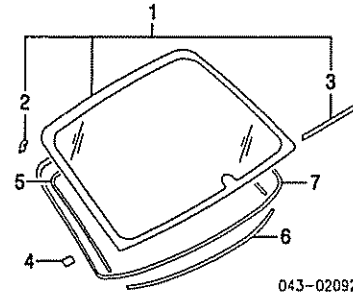


1 Sunroof Assy	R 65410AG00AOR	3.0	658.27
2 Rail, Sunroof]	R 65434AG00A	3.0	94.88
3 Channel, Drain]	R 65417AG00A		50.82
4 Sunshade, Sunroof]	R 65470AG00AOR	.6	348.97
5 Motor, Sunroof]	R 65450AG02A	.8	236.82
6 Harness, Sunroof]	R 65480AG00A		48.38
<i>Included w/Sunroof Assy</i>			
7 Glass, Front Sunroof	R 65430AG00A		142.80
8 Glass, Rear Sunroof	R 65430AG01A		213.72
9 Cover, Glass Front	R 65407AG00A		16.95
	L 65407AG01A		16.95
	R 65407AG02A		18.32
	L 65407AG03A		18.32
10 Cover, Glass Rear	R/L 65468AG00A		12.30
11 Shim, Sunroof (R/Slide)	R/L 65403AG00A		44.27
12 Bracket, Front Sunroof	R 65403AG01A		50.40
	L 65403AG02A		48.72
13 Bracket, Center Sunroof	R/L 65403AG05A		48.97
14 Bracket, Rear Sunroof	R/L 65403AG02A		5.85
15 Tube, Front Drain	R/L 65475AG00A		1.82
16 Grommet, Front Tube	R/L 65455AG00A		7.62
17 Tube, Rear Drain	R/L 65475AG01A		14.42
18 Grommet, Rear Tube	R/L 65454AA020		2.92
19 Handle, Sunroof	R 65411KA000		

**BACK WINDOW**

Use Procedure Explanation 19 with the following text.

R&I Back Window Glass	#	19	
<i>#Includes Clean Up Old Adhesive as Necessary</i>			



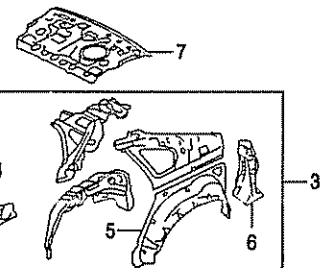
1 Glass Assy, Back Window			
Subaru	R 65109AG08A	#1.5	329.95
NAGS	R 6522363G1N	#1.5	0.00
<i>#Includes Clean Up Old Adhesive as Necessary</i>			
2 Pin, Glass]	R/L 65135AG00A		5.02
3 Label, Glass Caution]	R 91572AG00A		6.55
<i>Included w/Back Window Glass Assy</i>			
4 Spacer, Glass	R/L 65176AG00A		12.47
5 Weatherstrip, Glass	R/L 65145AG01A		13.50
6 Seal, Glass Lower	R 65145AG00A		6.87
7 Moulding, Glass	R 65158AG00A		25.22

**QUARTER PANEL**

Use Procedure Explanations 20 and 28 with the following text.

**SHEET METAL SEDAN**

Refinish Quarter Panel Outside	R/L	1.9	
Add for Pillar	R/L	.5	
Add to Edge	R/L	.5	
Refinish Fuel Door		#.4	
<i>#Included in Refinish Right Quarter Panel</i>			
R&R Both Quarter Panels		26.0	
R&R Roof & Both Quarter Panels		36.5	
w/Sunroof		35.5	
R&R Rear Body Panel & Both Quarter Panels		27.4	
R&R Roof, Both Quarter Panels & Rear Body Panel		37.9	
w/Sunroof		36.9	
Add to R&R Quarter Panel			
To R&I Back Glass		.4	
To R&I Quarter Glass	R/L	.2	



1 Panel Assy, Outer Quarter			
Legacy	R 51490AG08A9P	#15.0	247.43
	L 51490AG09A9P	#14.5	244.27
Outback	R 51490AG06A9P	#15.0	247.43
	L 51490AG07A9P	#14.5	244.27
<i>#Deduct 5.0 w/Roof Removed, Deduction Includes Common Surfaces &amp; Included Operations</i>			
2 Panel, Rear End]	R 51445AG02A9P		37.82
	L 51445AG03A9P		37.82
<i>Included w/Outer Quarter Panel Assy</i>			
3 Panel Assy, Inner Quarter	R 51510AG08A9P	s 6.5	323.33
	L 51510AG09A9P	s 6.5	334.63
4 Reinf, Rear Rocker (a)	R 51572AG31A9P	s 1.0	21.97
	L 51572AG32A9P	s 1.0	21.97

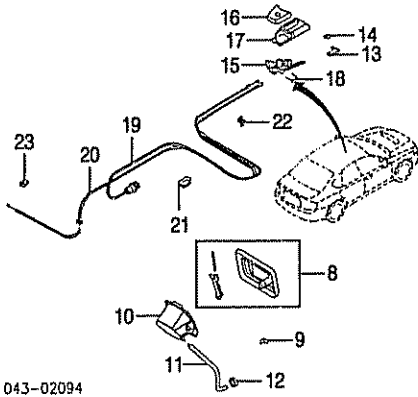
# SUBARU LEGACY/OUTBACK 2005

## QUARTER PANEL Cont'd

### SHEET METAL

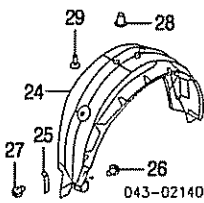
#### SEDAN Cont'd

5 Panel, Wheelhouse Inner (a)	R 51560AG00A9P	s	4.5	88.22
	L 51569AG01A9P	s	4.5	145.70
6 Reinf, Inner Wheelhouse (a)	R 51572AG14A9P	s	2.0	29.38
	L 51572AG15A9P	s	2.0	29.38
<i>(a) Included w/Inner Quarter Panel Assy</i>				
7 Panel, Package Tray	53105AG01A9P		4.0	152.02



043-02094

8 Door, Fuel	57601AG00A9P	3	35.80
9 Spring, Fuel Door	57651AG00A		1.82
10 Reinf, Fuel Door	51478AG00A		14.57
11 Hose, Drain	51485FC000		5.02
12 Grommet, Hose	90321AC050		.88
13 Knob, Opener			
Fuel Door			
Black	57346AG02AJC	1.62	1.62
Ivory	57346AG02AWA		
14 Luggage Lid			
Black	57346AG00AJC	1.98	1.98
Ivory	57346AG00AWA	1.98	1.98
15 Handle, Opener	57340AG05A	20.62	
16 Front			
Black	57345AG02AJC	43.95	43.95
Ivory	57345AG02AWA	43.95	43.95
17 Rear			
Black	57345AG04AJC	43.78	43.78
Ivory	57345AG04AWA	43.78	43.78
18 Bracket, Handle	57331AG00A	.80	
19 Fuel Door	57330AG07A	1.5	18.27
20 Luggage Lid	57330AG06A	1.5	16.13
21 Protector, Cable	57332AG00A		.74
22 Clip, Cable Front (2)	909205106		1.18
23 Clip, Cable Rear (2)	57371GA070		1.75



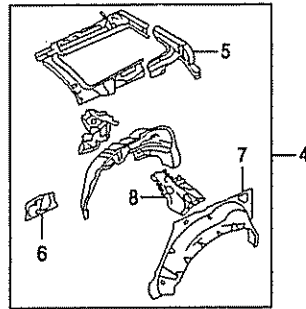
043-02140

24 Liner, Quarter	R 59122AG02A	4	92.22
	L 59122AG03A	4	92.22
25 Plate, Lower Mounting	R 59123AG020		5.38
	L 59123AG030		5.38
26 Clip, No. 1 (b)	R/L 909130067		.98
<i>(b) As Required</i>			
27 Clip, No. 2 (3/Slide)	R/L 909130051		.98
28 Grommet, Liner	R/L 91084AA010		1.78
29 Screw, Mounting	R/L 904560009		.94

### SHEET METAL

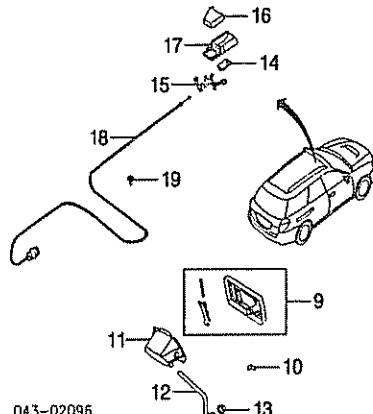
#### WAGON

Refinish Quarter Panel Outside	R/L	1.9
Add for Pillar	R/L	5
Add to Edge	R/L	5
Refinish Fuel Door		8.4
<i>#Included In Refinish Right Quarter Panel</i>		
R&R Both Quarter Panels		23.5
R&R Roof & Both Quarter Panels		
w/Sunroof		36.5
w/o Sunroof		35.5
R&R Rear Body Panel & Both Quarter Panels		25.0
R&R Roof, Both Quarter Panels & Rear Body Panel		
w/Sunroof		38.0
w/o Sunroof		37.0
Add to R&R Quarter Panel		
To R&I Quarter Glass	R/L	.2



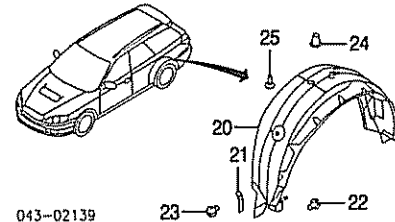
043-02095

1 Panel, Outer Quarter			
Legacy	R 51490AG11A9P	#13.0	223.35
	L 51490AG10A9P	#12.5	229.40
Outback	R 51490AG12A9P	#13.0	229.40
	L 51490AG13A9P	#12.5	223.35
<i>#Deduct 3.5 w/Roof Removed, Deduction Includes Common Surfaces &amp; Included Operations</i>			
2 Panel Assy, Rear End	R 51479AG00A9P	#2.5	46.17
	L 51479AG01A9P	#2.5	46.17
3 Reinforcement, Rear Panel	R 51472AG06A9P	#1.5	144.08
	L 51472AG07A9P	#1.5	143.45
<i>#Included w/Rear End Panel Assy</i>			
<i>#w/Rear Cover &amp; Combination Lamp Assy Removed</i>			
4 Panel Assy, Inner Quarter	R 51510AG02A9P	s	5.5 325.46
	L 51510AG03A9P	s	5.5 330.38
5 Pillar, Rear (a)	R 51512AG16A9P	s	285.68
	L 51512AG17A9P	s	285.68
6 Reinf, Center Pillar (a)	R 51572AG31A9P	s	21.97
	L 51572AG32A9P	s	21.97
7 Panel, Wheelhouse Inner (a)	R 51560AG00A9P	s	2.5 88.22
	L 51569AG01A9P	s	2.5 145.70
8 Reinf, Inner Wheelhouse (a)	R 51572AG02A9P	s	34.82
	L 51572AG03A9P	s	34.82
<i>(a) Included w/Inner Quarter Panel Assy</i>			



043-02096

9 Door, Fuel	57601AG01A9P	3	36.45
10 Spring, Fuel Door	57651AG00A		1.82
11 Reinf, Fuel Door	51478AG00A		14.57
12 Hose, Drain	51485FC000		5.02
13 Grommet, Hose	90321AC050		.88
14 Knob, Fuel Door Opener			
Black	57346AG01AJC	1.93	1.93
Ivory	57346AG01AWA	1.93	1.93
15 Handle, Opener	57340AG04A	11.77	
16 Front			
Black	57345AG02AJC	43.95	43.95
Ivory	57345AG02AWA	43.95	43.95
17 Rear			
Black	57345AG03AJC	42.30	42.30
Ivory	57345AG03AWA	42.30	42.30
18 Cable, Fuel Door Release	57330AG07A	1.5	18.27
19 Clip, Cable (2)	909205106		1.18



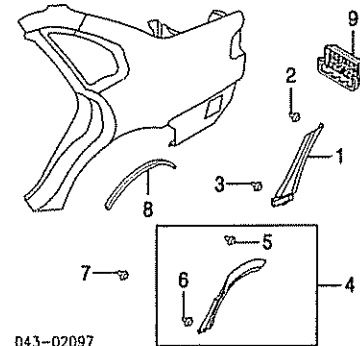
043-02139

20 Liner, Quarter	R 59122AG02A	4	92.22
	L 59122AG03A	4	92.22
21 Plate, Lower Mounting	R 59123AG020		5.38
	L 59123AG030		5.38
22 Clip, No. 1 (b)	R/L 909130067		.98
<i>(b) As Required</i>			
23 Clip, No. 2 (3/Slide)	R/L 909130051		.98
24 Grommet, Liner	R/L 91084AA010		1.78
25 Screw, Mounting	R/L 904560009		.94

### EXTERIOR TRIM

#### SEDAN

Refinish Quarter Moulding	R/L	4
Refinish Quarter Garnish Assy	R/L	4
R&I Quarter Moulding	R/L	2
R&I Quarter Garnish Assy	R/L	2
R&I Wheel Opening Protector	R/L	2



043-02097

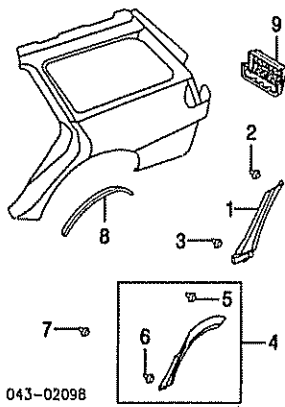
1 Moulding, Quarter			
Legacy			
Atlantic Blue	R 91021AG00ABE	2	58.88
	L 91021AG01ABE	2	58.88
Black	R 91021AG00AWW	2	58.88
	L 91021AG01AWW	2	58.88
Regal Blue	R 91021AG00ABH	2	58.88
	L 91021AG01ABH	2	58.88
Silver	R 91021AG00ATE	2	58.88
	L 91021AG01ATE	2	58.88
White	R 91021AG00AWH	2	58.88
	L 91021AG01AWH	2	58.88
Paint to Match	R 91021AG00ANN	2	58.88
	L 91021AG01ANN	2	58.88
2 Clip, No. 1 Moulding (a)	R/L 909130014		.98
3 Clip, No. 2 Moulding (a)	R/L 909130110		.98
<i>(a) As Required</i>			
4 Garnish Assy, Quarter			
Outback			
Atlantic Blue	R 91112AG24ABE	2	170.85
	L 91112AG25ABE	2	170.85
Black	R 91112AG24AWW	2	169.82
	L 91112AG25AWW	2	169.82
Gold	R 91112AG24AGA	2	170.57
	L 91112AG25AGA	2	170.57
Gray	R 91112AG24ALY	2	169.37
	L 91112AG25ALY	2	169.37
Green	R 91112AG24AFY	2	169.37
	L 91112AG25AFY	2	169.37
Red	R 91112AG24ARO	2	170.10
	L 91112AG25ARO	2	170.10
Silver	R 91112AG24ATE	2	169.82
	L 91112AG25ATE	2	169.82
White	R 91112AG24AWH	2	207.15
	L 91112AG25AWH	2	207.15
Paint to Match	R 91112AG24ANN	2	129.10
	L 91112AG25ANN	2	129.10
5 Clip, No. 1 Garnish (3/Slide)	R/L 909130113		.98
6 Clip, No. 2 Garnish (3)	R/L 909130110		.98
<i>#Included w/Quarter Garnish Assy</i>			
7 Clip, Garnish (a)	R/L 909130088		2.47
<i>(a) As Required</i>			
8 Protector, Wheel Opening	R/L 91022AG05A	2	8.63
9 Grille, Air Vent			
Legacy	R/L 72651AG00A	#.2	20.08
Outback	R/L 72651AG04A	#.2	19.78
<i>#w/Rear Cover Removed</i>			

### EXTERIOR TRIM

#### WAGON

Refinish Quarter Moulding	R/L	4
Refinish Quarter Garnish Assy	R/L	4

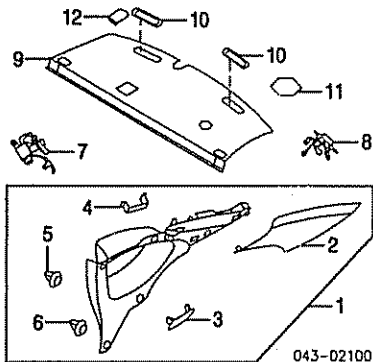
R&I Quarter Moulding	R/L	2
R&I Quarter Garnish Assy	R/L	2
R&I Wheel Opening Protector	R/L	2



043-02098

<b>1 Moulding, Quarter</b>			
Legacy			
Atlantic Blue	R 91021AG00ABE	2	58.88
Black	R 91021AG01ABE	2	58.88
	R 91021AG00AVW	2	58.88
	L 91021AG01AVW	2	58.88
Regal Blue	R 91021AG00ABH	2	58.88
	L 91021AG01ABH	2	58.88
Silver	R 91021AG00ATE	2	58.88
	L 91021AG01ATE	2	58.88
White	R 91021AG00AWH	2	58.88
	L 91021AG01AWH	2	58.88
Paint to Match	R 91021AG00ANN	2	58.88
	L 91021AG01ANN	2	58.88
<b>2 Clip, No. 1 Moulding (a)</b>	R/L 909130014		98
<b>3 Clip, No. 2 Moulding (a)</b>	R/L 909130110		98
<i>(a) As Required</i>			
<b>4 Garnish Assy, Quarter</b>			
Outback			
Atlantic Blue	R 91112AG26ABE	2	170.85
	L 91112AG27ABE	2	170.85
Black	R 91112AG26AVW	2	169.62
	L 91112AG27AVW	2	169.62
Gold	R 91112AG26AGA	2	170.57
	L 91112AG27AGA	2	170.57
Gray	R 91112AG26ALY	2	169.37
	L 91112AG27ALY	2	169.37
Green	R 91112AG26AFY	2	169.37
	L 91112AG27AFY	2	169.37
Red	R 91112AG26ARO	2	170.10
	L 91112AG27ARO	2	170.10
Silver	R 91112AG26ATE	2	169.82
	L 91112AG27ATE	2	169.82
White	R 91112AG26AWH	2	207.15
	L 91112AG27AWH	2	207.15
Paint to Match	R 91112AG26ANN	2	129.10
	L 91112AG27ANN	2	129.10
<b>5 Clip, No. 1 Garnish (3/5 Side)</b>	R/L 909130113		98
<b>6 Clip, No. 2 Garnish (3)</b>	R/L 909130110		98
<i>#Included w/Quarter Garnish Assy</i>			
<b>7 Clip, Garnish (a)</b>	R/L 909130088		2.47
<i>(a) As Required</i>			
<b>8 Protector, Wheel Opening</b>	R/L 91022AG05A	2	8.63
<b>9 Grille, Air Vent</b>	R/L 72651AG01A	#2	63.67
<i>#w/Rear Cover Removed</i>			

**INTERIOR TRIM SEDAN**

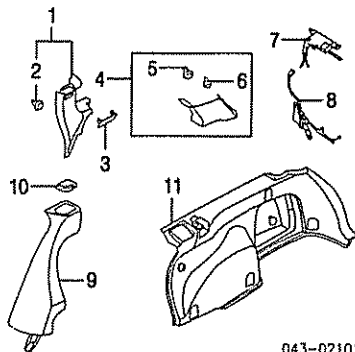


043-02100

<b>1 Panel Assy, Upper Trim (a)</b>	R 94013AG56AJC	.5	72.05
	L 94013AG57AJC	.5	72.05
<i>(a) Black listed, Order by Application</i>			
<b>2 Cover, Upper Trim (1)</b>	R 94053AG56AOR	.2	44.57
	L 94053AG57AOR	.2	44.57
<b>3 Cap, Upper Trim (1)</b>	R 94067AG54AOR		3.37
	L 94067AG55AOR		3.37
<b>4 Bracket, Upper Trim (1)</b>	R 94080AG06A		65.05

<b>5 Clip, No. 1 Trim (1/2 Side)</b>	R/L 94080AG07A	65.05
<b>6 Clip, No. 2 Trim (1)</b>	R/L 909130105	98
	R/L 909130078	2.63
<i>#Included w/Upper Trim Panel Assy</i>		
<b>7 Amplifier, Antenna</b>	86327AG26A	95.67
<b>8 Suppressor, Noise</b>	86341AG26A	49.38
<i>Panel Assy, Slide Trim-See Rear Body Section</i>		
<b>9 Trim, Package Tray</b>		
Black	65512AG05AJC	#4 128.33
Ivory	65512AG05AWA	#4 128.33
<i>#w/Upper Trim Panel Assy Removed</i>		
<b>10 Grille, Vent</b>		
Black	R 65522AG02AJC	11.03
	L 65522AG03AJC	11.03
Ivory	R 65522AG02AWA	11.03
	L 65522AG03AWA	11.03
<b>11 Cover, Speaker</b>	86314AG06A	13.83
<b>Speaker, Radio</b>	N.A.	0.00
<b>12 Cap, Child Seat Anchor (3)</b>		
Black	65546AG03AJC	11.88
Ivory	65546AG03AJC	11.88

**INTERIOR TRIM WAGON**



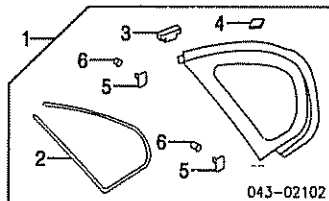
043-02101

<b>1 Panel Assy, Upper Trim (a)</b>			
Front	R 94013AG06AJC	.3	58.88
	L 94013AG07AJC	.3	58.88
<i>(a) Black listed, Order by Application</i>			
<b>2 Clip, Upper Trim (1/2 Side)</b>	R/L 909130105		98
<i>#Included w/Upper Trim Panel Assy</i>			
<b>3 Cap, Upper Trim</b>	R 94067AG54AOR	3.37	
	L 94067AG55AOR	3.37	
<b>4 Panel Assy, Upper Trim (a)</b>			
Rear	R 94015AG02AOR	.2	29.17
	L 94015AG03AOR	.2	29.17
<i>(a) Black listed, Order by Application</i>			
<b>5 Clip, No. 1 Trim (b)</b>	R/L 909130105		98
<b>6 Clip, No. 2 Trim (b)</b>	R/L 909130078		2.63
<i>(b) Included w/Upper Trim Panel Assy</i>			
<b>7 Amplifier, Antenna</b>	86327AG06A	71.88	
<b>8 Suppressor, Noise</b>	86341AG06A	45.75	
<b>9 Panel, Lower Trim</b>	R 94088AG28AJC	.6	143.73
	L 94088AG29AJC	.6	143.73
<b>10 Cap, Seat Belt (a)</b>	R 94053AG18AJC	12.10	
	L 94053AG19AJC	12.10	
<i>(a) Black listed, Order by Application</i>			
<b>11 Panel, Side Trim-See Rear Body Section</b>			

**QUARTER GLASS**

**SEDAN**

R&I Quarter Glass	R/L	#1.7
<i>#Includes Clean Up Old Adhesive as Necessary</i>		



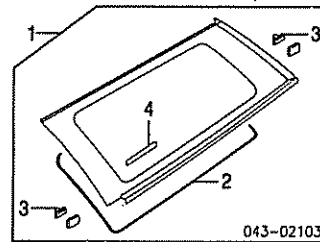
043-02102

<b>1 Glass Assy, Quarter</b>			
Subaru	R 65222AG04A	#1.5	149.95
	L 65222AG05A	#1.5	149.95
NAGS	R/L F022321-2GTN	#1.5	0.00
<i>#Includes Clean Up Old Adhesive as Necessary</i>			
<b>2 Weatherstrip, Glass (1)</b>	R/L 65245AG05A	9.55	
<b>3 Seal, Glass (1)</b>	R/L 65277AG000	8.88	
<b>4 Clip, Glass (1/5 Side)</b>	R/L 65225AC020	1.04	
<b>5 Pin, Locator (1/2 Side)</b>	R/L 99045AC010	1.58	
<b>6 Cap, Pin (1)</b>			
Upper	R/L 99045AC020	1.52	
Lower	R/L 99045AC030	1.52	
<i>#Included w/Quarter Glass Assy</i>			

**WAGON**

R&I Quarter Glass	R/L	#1.7
-------------------	-----	------

*#Includes Clean Up Old Adhesive as Necessary*



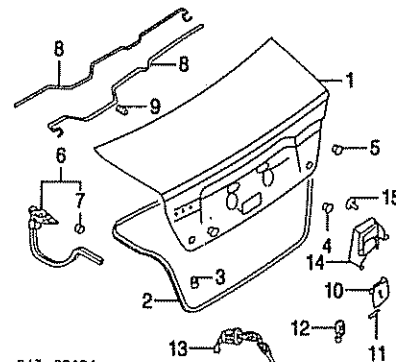
043-02103

<b>1 Glass Assy, Quarter</b>			
Subaru	R 65210AG09A	#1.5	219.90
	L 65210AG09A	#1.5	219.90
NAGS			
Solar	R/L F022366-7GTY	#1.5	0.00
Non-Solar	R/L F022366-9GTY	#1.5	0.00
<i>#Includes Clean Up Old Adhesive as Necessary</i>			
<b>2 Weatherstrip, Glass (1)</b>	R/L 65245AG00A		11.85
<b>3 Fastener, Glass (1/2 Side)</b>	R/L 65245AG00A		3.42
<b>4 Decal, Glass (1)</b>	R/L 93063AG00A		2.30
<i>#Included w/Quarter Glass Assy</i>			

**LUGGAGE LID**

*Use Procedure Explanations 24 and 28 with the following text*

Refinish Luggage Lid Outside	2.2
Add for Underside	1.1
Refinish Hinge	R/L 2
R&I Luggage Lid Assy	3
R&I Garnish	4
R&I Trim Panel	3



043-02104

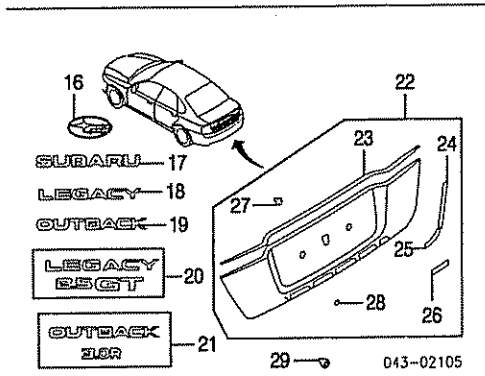
<b>1 Lid, Luggage</b>	57509AG00A9P	1.2	451.78
<b>2 Weatherstrip, Lid</b>			
Body Side	57532AG01A	.4	42.38
<b>3 Stopper, Lid</b>	R/L 57533AG000		4.07
<b>4 Grommet (2/Side)</b>	R/L 96056FA010		1.70
<b>5 Plug, Hole</b>	R/L 909400011		.54
<b>6 Hinge Assy, Lid</b>	R 57520AG0009P	#.3	49.00
	L 57520AG0109P	#.3	49.00
<i>#w/Package Tray &amp; Luggage Lid Removed</i>			
<b>7 Stopper, Hinge (a)</b>	R/L 57533AG021		1.98
<i>(a) Included w/Lid Hinge Assy</i>			
<b>8 Bar, Torsion</b>	R 57529AG04A9P	#.6	42.75
	L 57529AG05A9P	#.6	42.80
<i>#R&amp;R Complete</i>			
<b>9 Support, Torsion Bar</b>	22319KA000		1.28
<b>10 Lock, Lid</b>	57530AG010	3	24.52
<b>11 Cover, Lock</b>	57534AG000		2.47
<b>12 Striker, Latch</b>	57531AG000	2	5.72
<b>13 Cylinder, Lid Lock (1)</b>	57449AG00A		42.92
<i>#Included w/Complete Lock Set-listed in Steering Wheel/Column Section</i>			
<b>Cable, Door Release-See Quarter Panel Section</b>			
<b>14 Handle, Inside</b>	57560AG000		68.58
<b>15 Clip, Handle (4)</b>	99045AE03AMA		3.53

*Illustration Located in Next Column*

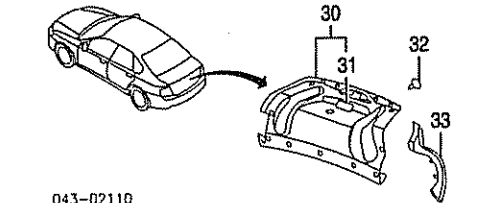
<b>16 Emblem (Adhesive)</b>	93033AG010	2	40.03
<b>Nameplate (Adhesive)</b>			
*SUBARU*	93073AG160	2	28.60
*LEGACY*	N.A.	2	0.00
*OUTBACK*	93073AG080	2	28.60
*LEGACY 2.5 GT*	93073AG180	2	45.75
*OUTBACK 3.0R*	93073AG230	2	40.03
<b>22 Garnish Assy</b>	91112AG21ANN	.4	102.45
<b>23 Seat, Upper (c)</b>	91161AG110		1.34
<b>24 Seat, Side (c)</b>	R/L 91161AG120		.84
<b>25 Seat, Side Lower (c)</b>	R/L 91161AG200		5.52
<b>26 Seat, Lower (c) (2)</b>	91161AG150		1.72
<b>27 Clip, Garnish (c)</b>	909130088		2.47

# SUBARU LEGACY/OUTBACK 2005

## LUGGAGE LID Cont'd



16 Seal, Screw (c) (4)	91161AG180	5.77
(c) Included w/Garnish Assy		
29 Grommet (4)	909300059	60



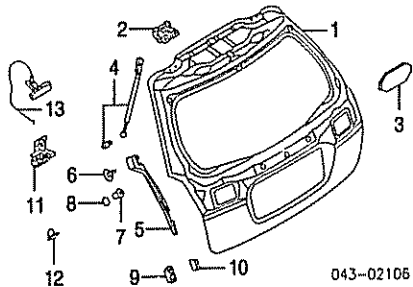
30 Panel Assy, Trim	94511AG16A	3	66.70
31 Cover, Inside Handle (d)	94516AG09A		66.00
(d) Included w/Trim Panel Assy			
32 Clip, Trim (30)	99045AE03AMA		3.53
33 Cover, Hinge	R 94516AG05A		16.70
	L 94516AG06A		16.67

## LIFTGATE

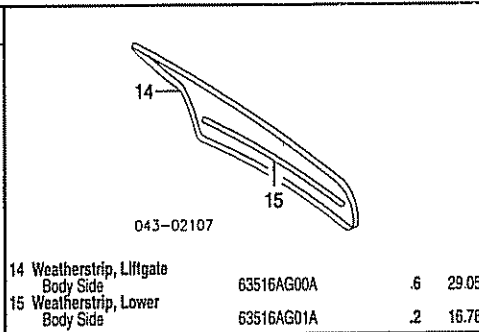
Use Procedure Explanations 25 and 28 with the following text

### SHEET METAL

Refinish Liftgate Outside	2.7
Add for Underside	1.2
Refinish Outside Handle	4
Refinish Hinge	R/L 2
R&L Outside Handle	#.5
<i>#Includes R&amp;R/R Trim Panel Assy</i>	
R&L Liftgate Assy	.7
Add to R&R Liftgate Assy	.8
To Transfer Glass	.3
w/Spoiler	



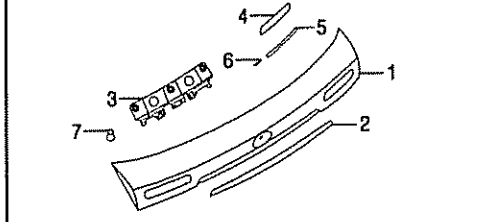
1 Shell, Liftgate	60809AG10A9P	4.5	518.85
2 Hinge, Liftgate	R/L 60870AG00A9P	#.2	11.46
<i>#w/Liftgate Removed</i>			
3 Damper, Liftgate	61083AG00A		14.15
<i>As Required</i>			
4 Stay, Liftgate	R 63269AG000	.3	73.53
	L 63269AG010	3	73.53
5 Cover, Liftgate Slide	R 63134AG00A	17.90	
	L 63134AG01A	17.90	
6 Clip, Cover	R/L 794070390	1.34	
7 Stopper, Liftgate	R/L 63262AG10A	.1	1.14
8 Protector, Stopper Buffer, Liftgate	R/L 57253AA031	.59	
9 Body Side	R/L 63112AG02A	.1	41.68
10 Gate Side	R 63112AG000	1	2.47
	L 63112AG10	1	2.47
11 Latch & Actuator	63032AG00A	#.2	232.02
<i>#w/Trim Panel Assy Removed</i>			
12 Striker, Latch	63264AG00A	.2	3.05
13 Handle, Outside	63160AG00A	#.2	35.87
<i>#w/Trim Panel Assy Removed</i>			



14 Weatherstrip, Liftgate Body Side	63516AG00A	.6	29.05
15 Weatherstrip, Lower Body Side	63516AG01A	.2	16.78

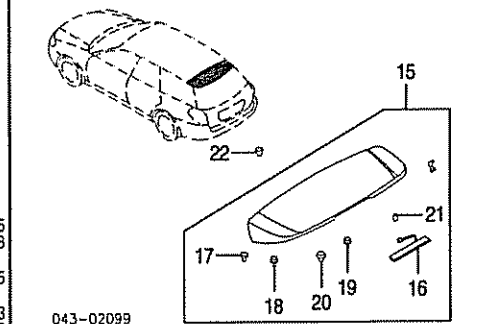
## EXTERIOR TRIM

Refinish Finisher Panel	.8
Refinish Spoiler	1.0
R&L Finisher Panel	#.8
<i>#Includes R&amp;L/R Trim Panel Assy</i>	
R&L Spoiler Assy	3



SUBARU	9	8
LEGACY	10	
OUTBACK	11	
OUTBACK 2.5 XT	12	
	13	
	14	

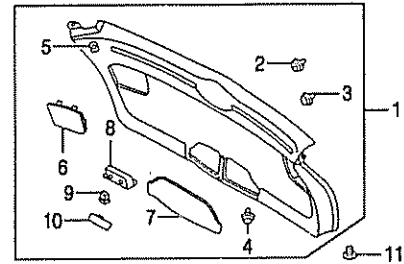
1 Panel, Finisher (P)	84923AG050NN	#.4	132.82
(P) Paint to Match			
<i>#w/Trim Panel Assy Removed</i>			
2 Moulding, Finisher	84957AG010	97.02	
3 Bracket, Finisher Protector, Panel	84927AG130	38.18	
4 No. 1 (2)	84971AG000	9.55	
5 No. 2 (2)	84971AG010	9.55	
6 No. 3 (3)	84971AG030	8.85	
7 Bolt, Panel (a) (b)	901700149	2.97	
(a) As Required			
(b) Order by Application			
8 Emblem (Adhesive) Nameplate (Adhesive)	93033AG000	.2	34.32
9 "SUBARU"	93073AG160	.2	28.60
N.A.		.2	0.00
10 "LEGACY"	93073AG060	.2	28.60
11 "OUTBACK"	93073AG210	.2	45.75
12 "OUTBACK 2.5 XT"	93073AG250	.2	40.03
13 "OUTBACK 3.0R"	93073AG110	.2	42.47
14 "LLBean"			



15 Spoiler Assy	96031AG01ANN	#.4	293.20
<i>#Includes R&amp;R High Mount Stop Lamp</i>			
16 Lamp Assy, Stop (c)-See Rear Lamps Section			
Bolt, Spoiler (c)			
17 No. 1	901120120		98
18 No. 2 (2)	901700151		1.98
19 No. 3 (3)	901120128		1.98
20 Clip, Pin (c) (4)	909130125		98
21 Cap, Nut (c) (3)	902450029		1.54
(c) Included w/Spoiler Assy			
22 Cap, Spoiler (2)	909080000		.40

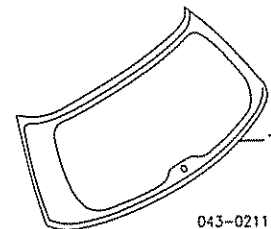
## INTERIOR TRIM

R&L Trim Panel Assy	.4
---------------------	----



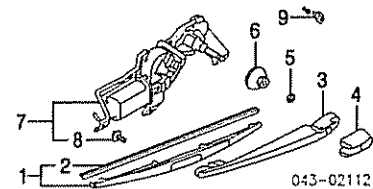
1 Panel Assy, Trim			
Black	94320AG02AJC	.4	128.93
Ivory	94320AG02AWA	.4	128.93
2 Clip, No. 1 Trim (8)	909130096		98
3 Clip, No. 2 Trim (4)	909130105		98
4 Grommet	R/L 909130139		98
5 Holder, Trim	R/L 94383AG01A		3.67
6 Cap, Trim			
Black	R 94381AG04AJC		7.20
	L 94381AG05AJC		7.20
Ivory	R 94381AG04AWA		7.20
	L 94381AG05AWA		7.20
7 Cap, Emergency	94380AG02AJC		6.50
8 Trim, Inner Handle	94341AG01AJC		5.38
9 Grommet, Handle (2)	661179000		.44
10 Cap, Handle	94380AG03AJC		3.78
<i>#Included w/Trim Panel Assy</i>			
11 Clip, Upper Side (3/Side)	R/L 99045AE03AMA		3.53

## GLASS & PARTS



1 Glass, Liftgate			
Subaru	63011AG02A	#2.5	481.06
NAGS			
Solar	FB22370GTN	#2.5	0.00
Non-Solar	FB22371GTN	#2.5	0.00
<i>#Includes Moulding</i>			
<i>#Includes Clean Up Old Adhesive as Necessary</i>			

## WIPER SYSTEM



1 Blade Assy, Wiper	86542AG09A	.2	14.95
2 Insert, Blade	SOA591U314R	.1	4.95
<i>#Included w/Wiper Blade Assy</i>			
3 Arm, Wiper	86532AG09A	#.2	19.95
<i>#Includes R&amp;R Wiper Blade Assy or Insert</i>			
4 Cap, Wiper Arm	86538AG05A		4.37
5 Nut, Wiper Arm	021806000		.40
6 Cap, Pivot	86535AG01A		7.46
7 Motor Assy, Wiper	86510AG09A	#.4	116.45
<i>#w/Trim Panel Assy Removed</i>			
8 Bolt, Flange (a)	901000231		.68
(a) Included w/Wiper Motor Assy			
9 Nozzle, Spray	86640AG11A		6.18

## REAR SUSPENSION

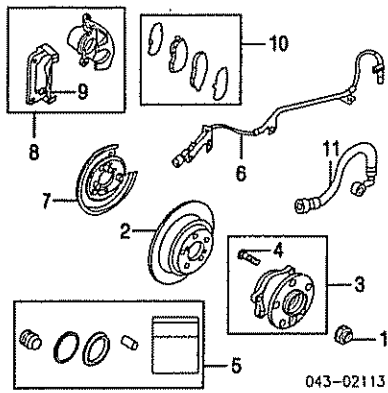
Use Procedure Explanation 23 with the following text.

R&L Suspension/Sub-Frame Assy		m	3.4
R&L Suspension (One Side)		R/Lm	2.3
O/H Suspension (Includes R&L)			
One Side		R/Lm	4.2
Both Sides		m	8.0
Adjust Four Wheel Alignment		m	2.0
Adjust Rear Alignment		m	1.1
Bleed Brake System		m	.6

NOTE 1: R&L/R&R or O/H Does Not include alignment or bleed brake system.

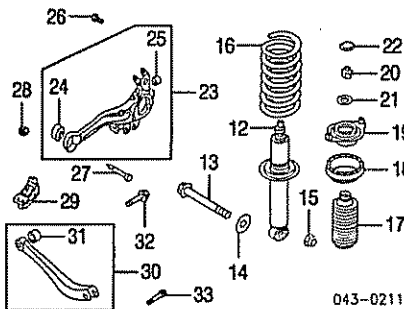


**NOTE 2:** All Parts in this section are included in overhaul unless noted otherwise.



043-02113

1 Nut, Hub	R/L 902170044	m	3.08
2 Rotor, Brake			
Legacy	R/L 26700AE080	m	#.6 94.95
Outback	R/L 26700AG01A	m	#.6 82.95
<b>#R&amp;R Both 1.0</b>			
3 Hub Assy	R/L 28473AG00A	m	#1.8 123.77
<b>#Includes R&amp;R Rotor</b>			
4 Bolt, Hub	R/L 28055AA002	m	2.23
<b>#Included w/Hub Assy</b>			
5 Seal Kit			
Legacy	26697FC000	m	24.95
Outback	26697AGD00	m	23.20
6 Sensor, Rear ABS-See ABS/Brakes Section			
7 Shield, Splash	R 26704AE040	m	#.2 76.55
	L 26704AE050	m	#.2 76.55
<b>#w/Hub Removed</b>			
8 Caliper Assy, Brake			
Legacy	R 26692AE040	m	#.5 221.23
	L 26692AE050	m	#.5 221.23
Outback	R 26692AG040	m	#.5 224.27
	L 26692AG050	m	#.5 224.27
<b>#R&amp;R Both .8, w/Rotor Removed Deduct 3</b>			
9 Support, Caliper (a)			
Legacy	R/L 26825AE020	m	5 52.10
Outback	R/L 26825AG010	m	.5 52.10
<b>(a) Included w/Brake Caliper Assy</b>			
10 Pad Set, Brake			
Legacy	26696AE040	m	#1.0 75.70
Outback	26696AG010	m	#1.0 75.70
<b>#Deduct .5 for Each Caliper Removed</b>			
11 Hose, Brake			
Legacy	R/L 26541AE01A	m	#.3 12.67
Outback	R/L 26541AE06A	m	#.3 12.67
<b>#w/Caliper Removed Deduct 2</b>			



043-02114

12 Strut			
Legacy			
w/ Turbo	R/L 20365AG02A	m	#2.0 89.95
w/o Turbo	R/L 20365AG00A	m	#2.0 89.95
Outback	R/L 20365AG03A	m	#2.0 89.95
13 Bolt, Strut	R/L 901000177	m	3.95
14 Washer, Bolt	R/L 900335056	m	1.06
15 Nut, Bolt (b)	R/L 20550PA000	m	1.82
<b>(b) Order by Application</b>			
16 Spring (b)			
Legacy	R/L 20380AG01A	m	#2.0 38.30
Outback	R/L 20380AG11A	m	#2.0 40.70
<b>(b) Order by Application</b>			
17 Cover, Strut	R/L 20372AE00A	m	#2.0 3.17
18 Pad, Spring	R/L 20375AE00A	m	#2.0 7.70
19 Mount, Strut	R/L 20370AG00A	m	#2.0 18.60
<b>#R&amp;R One Side Complete, w/Trailing Arm Assy Removed Deduct 1.2, R&amp;R Both Sides 3.8</b>			
20 Nut, Self-Locking (2/Side)	R/L 902350001	m	1.74
21 Washer	R/L 031012000	m	.40
22 Cap, Strut	R/L 909400004	m	.80
23 Arm Assy, Trailing	R 20252AG00A	m	#2.4 158.38
	L 20252AG01A	m	#2.4 158.38
<b>#Includes R&amp;R Rotor, Hub &amp; Splash Shield, R&amp;R Both Sides 4.4</b>			
24 Bushing, Front Link (c)	R/L 20254AE03A	m	#.3 17.53
25 Bushing, Rear Link (c) (2/Side)	R/L 20254AE02A	m	#.3 8.88
<b>(c) Included w/Trailing Arm Assy</b>			

**#R&R One Side Complete, w/Trailing Arm Assy Removed, Not Included in O/H**

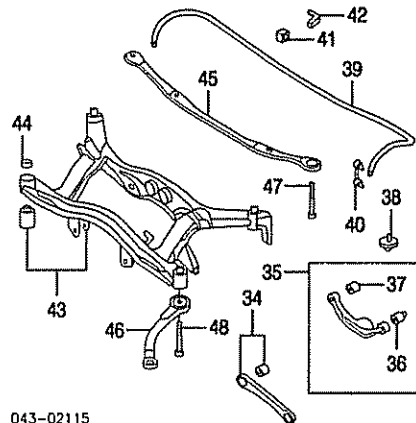
26 Bolt, Front Link	R/L 901000175	m	3.08
27 Bolt, Rear Lnk (4/Side)	R/L 901000174	m	1.74
28 Nut, Front Bolt	R/L 20550AA010	m	6.97
29 Bracket, Trailing Arm			
Legacy	R 20540AE080	m	#.5 24.52
	L 20540AE090	m	#.5 24.52
Outback	R 20540AG060	m	#.5 27.77
	L 20540AG070	m	#.5 27.77

**#Included in R&R Trailing Arm**

30 Arm Assy, Lateral	R/L 20250AE01A	m	#.8 58.18
<b>#w/Trailing Arm Assy Removed Deduct .4, R&amp;R Both Sides 1.4</b>			
31 Bushing, Lateral Arm (d)	R/L 20254AE01A	m	#.2 10.47
<b>(d) Included w/Lateral Arm Assy</b>			

**#w/Lateral Arm Assy Removed, Not Included in O/H**

32 Bolt, Cam	R/L 901700122	m	4.37
33 Bolt, Flange (b)	R/L 901000110	m	1.77
<b>(b) As Required</b>			



043-02115

34 Link, Lateral Front	R/L 20250AE06A	m	#.6 74.95
<b>#w/Trailing Arm Assy Removed Deduct .3, R&amp;R Both Sides 1.0</b>			
35 Link Assy, Upper Lateral			
Legacy	R 20250AE02A	m	#.8 92.87
	L 20250AE04A	m	#.8 92.87
Outback	R 20250AE09A	m	#.8 98.38
	L 20250AE10A	m	#.8 98.38
<b>#w/Trailing Arm Assy Removed Deduct .5, R&amp;R Both Sides 1.4</b>			

36 Bushing, Lateral Link (e)	R/L 20254AE040	m	#.3 9.90
37 Bushing, Trailing Link (e)	R/L 20254AE02A	m	#.3 8.88
<b>(e) Included w/Upper Lateral Link Assy</b>			

**#R&R One Side Complete, w/Lateral Link Removed, Not Included in O/H**

38 Support, Link			
Legacy	R/L 20501AE00A	m	9.28
Outback	R/L 20501AE01A	m	10.92
39 Bar, Stabilizer			
Legacy	20451AG01A	m	#.6 51.97
Outback	20451AG05A	m	#.6 63.95
<b>#Includes R&amp;R Stabilizer Links, Brackets &amp; Bushings, Not Included in O/H</b>			

40 Link, Stabilizer	R/L 20470AE00C	m	#.3 16.92
<b>#Not Included in O/H</b>			

41 Bushing, Bar			
Legacy	R/L 20464AE07A	m	#.3 13.53
Outback	R/L 20464AG02A	m	#.3 2.18
42 Bracket, Bushing			
Legacy	R/L 20466AG000	m	#.3 3.58
Outback	R/L 20466AG010	m	#.3 3.58
<b>#R&amp;R One Side Complete, Not Included in O/H</b>			

43 Sub-Frame	20152AG00A	m	#4.7 299.80
<b>#Includes R&amp;R Stabilizer Bar, Not Included in O/H</b>			

44 Stopper, Sub-Frame			
Legacy	R/L 20176AE01A	m	3.40
Outback	R/L 20176AG01A	m	18.43

45 Support, Sub-Frame			
Upper			
Legacy	20157AG00A	m	#.5 27.28
Outback	20157AG040	m	#.5 32.67
Lower			
Legacy	R 20157AG02A	m	#.5 29.22
	L 20157AG03A	m	#.5 29.08
<b>#Included in R&amp;R Sub-Frame, Not Included in O/H</b>			

47 Bolt, Upper Support (4/Side)			
Legacy	R/L 901000252	m	5.88
Outback	R/L 901000283	m	4.77

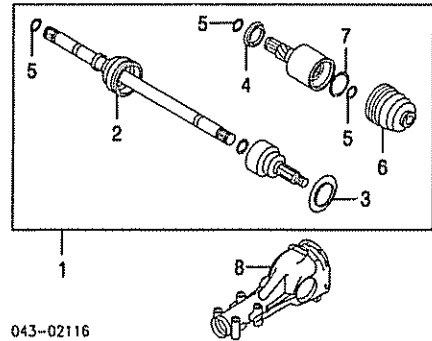
48 Bolt, Lower Support (2/Side)			
Legacy	R/L 901000252	m	5.88
Outback	R/L 901000283	m	4.77

**REAR DRIVE AXLE**

R&I Axle Shaft Assy (One Side)	R/Lm	#.3
O/H Axle Shaft Assy (Includes R&I)	R/Lm	#1.1
<b>#w/Necessary Suspension Components Removed</b>		

**NOTE 1:** R&I/R&R or O/H Does Not Include adjust wheel alignment.

**NOTE 2:** All Parts in this section are included in overhaul unless noted otherwise.



043-02116

1 Shaft Assy, Axle			
2.5 GT, 2.5 GT Limited Model	R/L 28421AG01A	m	#.3 359.95
2.5i Model	R/L 28421AG00A	m	#.3 359.95
2.5i Limited Model	R/L 28421AG01A	m	#.3 359.95
2.5 XT, 2.5 XT Limited Model	R/L 28421AG01A	m	#.3 359.95
3.0R, 3.0R Limited Model	R/L 28421AG01A	m	#.3 359.95
L.L. Bean Model	R/L 28421AG01A	m	#.3 359.95
<b>#w/Necessary Suspension Components Removed</b>			

2 Boot, Outer			
2.5 GT, 2.5 GT Limited Model	R/L 28423AG00A	m	#.5 10.45
2.5i Model	R/L 28423AG000	m	#.5 00.00
2.5i Limited Model	R/L 28423AG00A	m	#.5 10.45
2.5 XT, 2.5 XT Limited Model	R/L 28423AG00A	m	#.5 10.45
3.0R, 3.0R Limited Model	R/L 28423AG00A	m	#.5 10.45
L.L. Bean Model	R/L 28423AG00A	m	#.5 10.45
<b>#w/Axle Shaft Assy Removed</b>			

**Plate, Baffle**

3 Outer	R/L 28437AG000	m	8.07
Inner			
2.5 GT, 2.5 GT Limited Model	R/L 23233GA091	m	6.95
2.5i Model	R/L 28037FA000	m	8.07
2.5i Limited Model	R/L 23233GA091	m	6.95
2.5 XT, 2.5 XT Limited Model	R/L 23233GA091	m	6.95
3.0R, 3.0R Limited Model	R/L 23233GA091	m	6.95
L.L. Bean Model	R/L 23233GA091	m	6.95

5 Ring, Snap			
No. 1			
2.5 GT, 2.5 GT Limited Model	R/L 723245020	m	8.07
2.5i Model	R/L 623205060	m	3.72
2.5i Limited Model	R/L 723245020	m	8.07
2.5 XT, 2.5 XT Limited Model	R/L 723245020	m	8.07
3.0R, 3.0R Limited Model	R/L 723245020	m	8.07
L.L. Bean Model	R/L 723245020	m	8.07
No. 2	R/L 723224010	m	4.73

6 Boot, Inner			
2.5 GT, 2.5 GT Limited Model	R/L 28023AC090	m	#.5 15.02
2.5i Model	R/L 28023AC010	m	#.5 20.17
2.5i Limited Model	R/L 28023AC090	m	#.5 15.02
2.5 XT, 2.5 XT Limited Model	R/L 28023AC090	m	#.5 15.02
3.0R, 3.0R Limited Model	R/L 28023AC090	m	#.5 15.02
L.L. Bean Model	R/L 28023AC090	m	#.5 15.02
<b>#w/Axle Shaft Assy Removed</b>			

7 Circlip (a)	R/L 723224060	m	7.22
<b>(a) Included w/Axle Shaft Assy</b>			

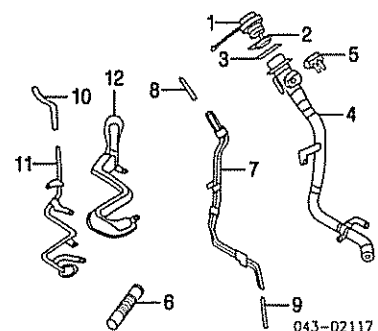
8 Differential (a)			
Legacy	27011AA332R1	m	#1.7 R499.99
Outback	27011AA531	m	#1.7 1184.57
<b>(a) Order by Application</b>			

**#w/Exhaust System Removed, Not Included in O/H**

**FUEL TANK**

R&I Fuel Tank	#1.7
<b>#w/Rear Suspension/Sub-Frame Assy Removed</b>	

**NOTE:** R&I/R&R Does Not Include drain and refill.



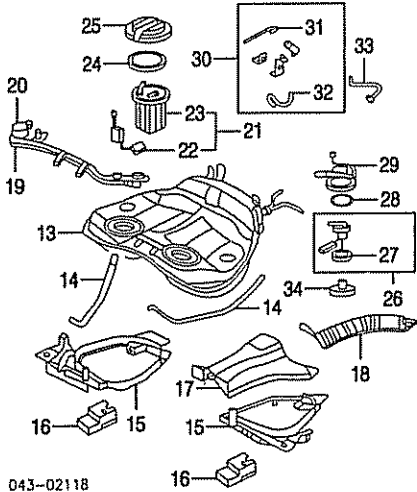
043-02117

1 Cap, Filler	42031AG00A	23.55
2 Ring, Filler	42056AA011	2.27
3 Packing, Filler	42060GA081	7.33
4 Pipe, Filler	42066AG04A	101.80
5 Valve, Filler	42084AE100	64.33
6 Hose, Filler	42075AG01A	85.30
7 Pipe, Evaporator	42068AG05A	28.68
8 Hose, Evaporator		
No. 1	42075AG39A	10.53
No. 2	42075AG46A	12.30

# SUBARU LEGACY/OUTBACK 2005

## FUEL TANK Cont'd

10 No. 3	42075AG40A		16.25
11 Pipe, Valve	42088AG04A		28.88
12 Cover, Pipe	42054AG02A		80.15



13 Tank, Fuel	42012AG02A	m #2.0	395.46
<i>#w/Rear Suspension/Sub-Frame Assy Removed</i>			
14 Strap, Fuel Tank	R 42017AG03A		29.33
	L 42017AG04A		30.17
15 Protector, Fuel Tank	R 42045AG01A		74.23
	L 42045AG02A		74.23
16 Bracket, Fuel Tank	R 42052AG25A		49.42
	L 42052AG26A		49.42
<b>Cover, Fuel Tank</b>			
17 w/Turbo	42054AG00A		103.57
18 w/o Turbo	42054AG00A		103.57
19 Pipe, Fuel Delivery	42074AG01A		31.80
20 Tube, Return	42074AG02A		42.10
21 Pump Assy, Fuel			
4 Cyl	42021AG04A	m #8	249.95
w/Turbo	42021AG06A	m #8	249.95
w/o Turbo (a)	42021AG05A	m #8	249.95
6 Cyl	42021AG05A	m #8	249.95
22 Pump, Fuel			
4 Cyl	42022AG04A	m #8	279.95
w/Turbo	42022AG06A	m #8	279.95
w/o Turbo (a)	42022AG05A	m #8	279.95
6 Cyl	42022AG05A	m #8	279.95
<i>(a) Order by Application</i>			
<i>#Included in R&amp;R Fuel Tank</i>			
23 Level, Sensor	42081AG03A	m	77.77
<i>#Included w/Fuel Pump Assy</i>			
<b>Gasket, Pump</b>			
4 Cyl	42025AG04A	m	32.50
w/Turbo	42025AG05A	m	32.50
w/o Turbo (a)	42025AG04A	m	32.50
6 Cyl	42025AG04A	m	32.50
<i>(a) Order by Application</i>			
25 Retainer, Plate	42057AG000	m	15.52
26 Level Assy, Sensor	42081AG00A	m	62.92
27 Gasket, Sensor (a) (b)	42025AG02A	m	93.37
<i>(a) Order by Application</i>			
<i>(b) Included w/Sensor Level Assy</i>			
28 Cushion, Plate	42043AG050	m	21.77
29 Plate, Upper	42057AG010	m	25.05
30 Sensor Assy, Pressure	22627AA25A	m	107.82
31 Hose, Vacuum Upper (c)	99071AC610		16.47
32 Hose, Vacuum Lower (c)	99071AC780		30.25
<i>(c) Included w/Pressure Sensor Assy</i>			
33 Hose, Sensor	42075AG44A	m	15.68
34 Filter, Fuel Tank	42072AA120	m	5.97

## REAR BODY

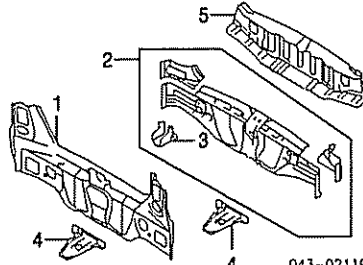
Use Procedure Explanations 26 and 28 with the following text.

## SHEET METAL

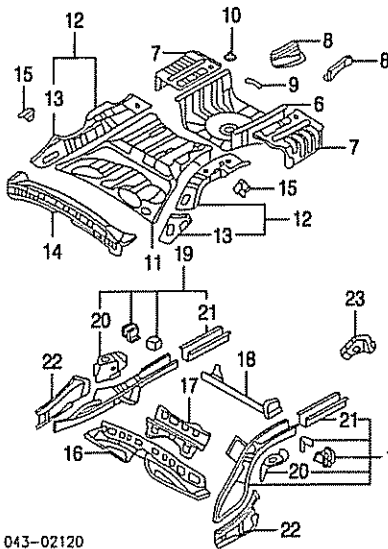
Refinish Rear Body Panel Complete	1.5
Inside	1.0
Outside	1.0
Refinish Rear Floor Pan	1.0

Illustration Located in Next Column

1 Panel, Rear Body			
Sedan	52401AG01A9P	#6.0	157.92
<i>#Deduct 2.3 for Each Quarter Panel Removed, Deduction Includes Common Surfaces &amp; Included Operations</i>			
<b>2 Panel Assy, Rear Body</b>			
Wagon			
Legacy	52419AG02A9P	#9.0	228.02



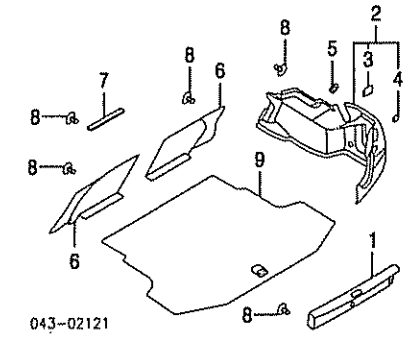
Outback	52419AG03A9P	#9.0	248.40
<i>#Deduct 2.0 for Each Quarter Panel Removed, Deduction Includes Common Surfaces &amp; Included Operations</i>			
<b>3 Bracket, Rear Bumper</b>			
Wagon			
Legacy	R 52153AG76A9P		97.23
	L 52153AG77A9P		97.23
Outback	R 52152AG17A9P		96.12
	L 52152AG18A9P		96.12
<i>#Included w/Rear Body Panel Assy</i>			
4 Hook, Floor	52135AG24A9P		86.98
5 Panel, Rear Outer			
Wagon	52421AG12A9P	#6.0	91.97
<i>#Deduct 2.3 for Each Quarter Panel Removed, Deduction Includes Common Surfaces &amp; Included Operations</i>			



6 Panel, Rear Floor	52122AG10A9P	#12.0	160.47
<i>#w/Rear Body Panel Removed, Deduct 2.0 for Each Inner Quarter Panel Assy Removed</i>			
7 Extension, Rear Floor			
Sedan	R 52123AG20A9P	1.5	96.43
	L 52123AG21A9P	1.5	95.40
Wagon	R 52123AG18A9P	1.5	101.38
	L 52123AG19A9P	1.5	101.38
8 Bracket, Muffler	R 52153AG95A9P		47.60
	L 52153AG96A9P		47.60
9 Plate, Lower	52136AG16A9P		13.28
10 Bracket, Spare Tire	52153PA181		24.32
11 Floor, Center-Not Serviced			
12 Extension Assy, Floor	R 52124AG06A9P		107.73
	L 52124AG07A9P		107.73
13 Plate, Center Floor (a)	R 52124AG12A9P		67.52
	L 52124AG13A9P		67.52
<i>(a) Included w/Floor Extension Assy</i>			
14 Crossmember, Front-Not Serviced			
15 Reinf, Center Floor	R 52153AG42A9P		28.63
	L 52153AG43A9P		28.63
16 Crossmember, No. 1-Not Serviced			
17 Crossmember, No. 2			
Sedan	52140AG03A9P		103.25
Wagon	52140AG02A9P		104.73
18 Crossmember, Rear	52140AG46A9P		108.98
19 Rail Assy, Side			
Sedan			
Legacy	R 52150AG44A9P	s #8.0	342.02
	L 52150AG45A9P	s #8.0	342.02
Outback	R 52150AG88A9P	s #8.0	346.00
	L 52150AG89A9P	s #8.0	346.00
Wagon	R 52150AG32A9P	s #8.0	331.35
	L 52150AG33A9P	s #8.0	331.87
<i>#w/Rear Floor Pan Removed 2.0</i>			
20 Bracket, Suspension (b)	R 52153AG64A9P		83.73
	L 52153AG65A9P		83.73
21 Frame, Rear (b)			
Sedan			
Legacy	R 52150AG64A9P	s 3.0	90.40
	L 52150AG65A9P	s 3.0	90.40

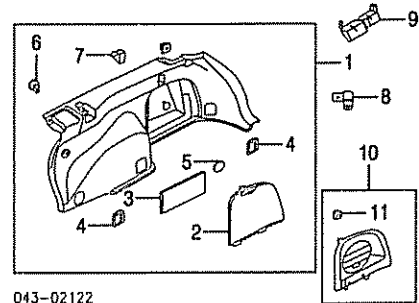
Outback	R 52150AG80A9P	s 3.0	94.18
	L 52150AG81A9P	s 3.0	94.18
Wagon	R 52150AG82A9P	s 3.0	86.73
	L 52150AG83A9P	s 3.0	86.73
<i>(b) Included w/Side Rail Assy</i>			
22 Sill, Side	R 52154AG12A9P		48.13
	L 52154AG13A9P		48.13
23 Hook, Tie-Down	R/L 57801AG04B9P		14.48

## INTERIOR TRIM SEDAN



1 Panel, Rear Trim	94511AG14A	2	86.08
2 Panel Assy, Side Trim	R 94511AG13A	3	85.50
	L 94511AG14A	3	86.08
3 Cover, Side Upper	R/L 94516AG07A		50.62
4 Cover, Lamp	R/L 94516AG08A		50.62
<i>#Included w/Side Trim Panel Assy</i>			
5 Hook, Trunk	R/L 94576AG02AMA		1.38
6 Trim, Bulkhead	R 94511AG10A		37.53
	L 94511AG11A		37.53
7 Trim, Upper Bulkhead	94511AG12A		16.08
8 Clip, Trim (30)	99045AE03AMA		3.53
9 Mat, Trunk	94514AG01A		94.40

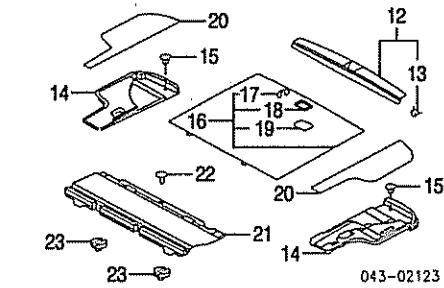
## INTERIOR TRIM WAGON



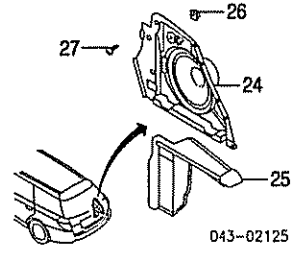
1 Panel Assy, Side Trim (b)	R 94027AG10AJC	6	180.13
	L 94027AG11AJC	6	179.88
2 Lid, Trim Panel (b) (c)	R 94056AG08AJC		46.75
	L 94056AG09AJC		46.75
<i>(b) Black listed, Order by Application</i>			
3 Pocket, Side Trunk (c)	R 94076AG02AJC		17.40
	L 94076AG03AJC		17.40
4 Hook, Luggage (c) (2/Side)			
Black	R/L 96172AG01AJC		4.15
Ivory	R/L 96172AG01AWA		4.15
5 Cap, Trim (c)	R/L 94067AG06AJC		5.18
6 Lock, Side (c)	R 94078AG02AJC		15.15
	L 94078AG03AJC		15.15
7 Hook, Upper (c)	R 94072AG02AJC		7.12
	L 94072AG03AJC		7.93
<i>(c) Included w/Side Trim Panel Assy</i>			
8 Bracket, Hook	R/L 96170AG04A		10.20
9 Bracket, Side Trim	R 94080AG14A		17.12
	L 94080AG15A		17.12
10 Lid Assy, Side Trim	R 94056AG15AWA		86.73
11 Clip, Lid (d) (8)	993130105		98
<i>(d) Included w/Side Trim Lid Assy</i>			

Illustration Located in Next Column

12 Plate Assy, Scuff	95073AG05AJC	2	89.58
13 Clip, Plate (e) (6)	993130077		2.63
<i>(e) Included w/Scuff Plate Assy</i>			
14 Box, Side Floor	R 95086AG02A		31.52
	L 95086AG03A		31.52
	R/L 99045AE03AMA		3.53
15 Clip, Box			
16 Cover Assy, Center Floor			
Black	95066AG04AJC		124.83
Ivory	95066AG04AWA		124.83
17 Hook, Cover (a)	95076AG000		18.52



18 Handle, Upper (a) Black Ivory	95070AG040JC 95070AG040WA	14 15 14 15
19 Handle, Lower (a) Black Ivory	95070AG050JC 95070AG050WA	d23.05 d23.05
<i>(a) Included w/Center Floor Cover Assy</i>		
20 Cover, Side Trunk Black Ivory	R 95067AG08AJC L 95067AG09AJC R 95067AG08AWA L 95067AG09AWA	57 52 57 52 57 52 57 52
21 Mat, Front Floor Black Ivory	R 95065AG05AJC L 95065AG05AWA 95022AC040ML	77 73 77 73 1 18
22 Clip, Mat (3) Holder, Clip No. 1 No. 2	R/L 95062AG03A 95062AG02A	4 12 4 12

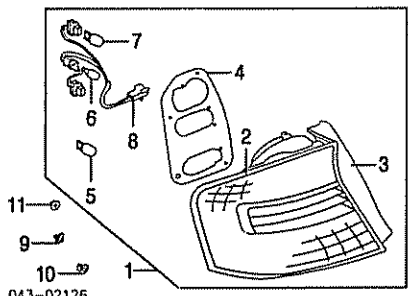


24 Speaker, Radio	R 86301AG96A	137.47
25 Spacer, Speaker	R 86315AG06A	17.57
26 Grommet (6)	R 045105163	.40
27 Screw, Mounting (6)	R 661179000	.44

**REAR LAMPS**

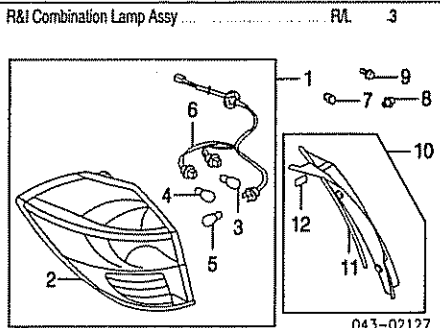
**COMBINATION LAMP SEDAN**

R&L Combination Lamp Assy ..... R/L #.8  
#Includes R&R Rear Trim Panel & Side Trim Panel



1 Lamp Assy, Combination	R 84201AG14A L 84201AG15A	#.8 119.95 #.8 119.95
2 Lens & Body]	R 84912AG350 L 84912AG360	#.8 99.95 #.8 99.95
<i>#Includes R&amp;R Rear Trim Panel &amp; Side Trim Panel</i>		
3 Gasket, Lamp Outer]	R/L 84940AG060	7.20
4 Gasket, Lamp Inner]	R/L 84942AG080	2.88
5 Bulb, Tail/Stop Lamp]	R/L 84920FE000	#.2 5.95
6 Bulb, Back-Up Lamp]	R/L 784920430	#.2 1.95
7 Bulb, Turn Signal Lamp]	R/L 84920KE010	#.2 3.13
<i>#R&amp;R One Side Complete, Included in R&amp;R/R Combination Lamp Assy</i>		
8 Socket, Lamp]	R/L 84931AG090	15.02
<i>#Included w/Combination Lamp Assy</i>		
9 Grommet, Upper	R/L 909220004	3.70
10 Grommet, Lower	R/L 909220005-6	3.83
11 Nut, Flange (a)	R/L 902370021	1.58
<i>(a) As Required</i>		

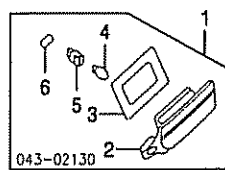
**COMBINATION LAMP WAGON**



R&L Combination Lamp Assy ..... R/L		3
1 Lamp Assy, Combination	R 84201AG10A L 84201AG11A	3 119.95 3 119.95
2 Lens & Body]	R 84912AG330 L 84912AG340	3 89.95 3 89.95
3 Bulb, Tail/Stop Lamp]	R/L 84920FE000	#.2 5.95
4 Bulb, Back-Up Lamp]	R/L 784920080	#.2 1.50
5 Bulb, Turn Signal Lamp]	R/L 84920KE010	#.2 3.13
<i>#R&amp;R One Side Complete, Included in R&amp;R/R Combination Lamp Assy</i>		
6 Socket, Lamp]	R/L 84981AG090	22.30
<i>#Included w/Combination Lamp Assy</i>		
7 Grommet, Lamp (2/Side)	R/L 909220002	.60
8 Clip, Lamp (2/Side)	R/L 909140012	.98
9 Bolt & Washer (2/Side)	R/L 901120061	.44
10 Cover Assy, Lamp	R 84953AG08A L 84953AG09A	25.72 25.72
11 Gasket, Cover (a)	R/L 84942AG060	3.00
12 Spacer, Cover (a)	R/L 84937AG010	2.02
<i>(a) Included w/Lamp Cover Assy</i>		

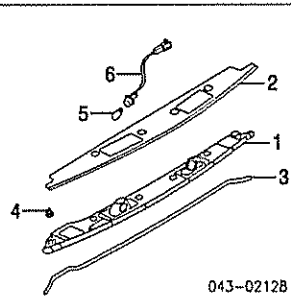
**BACK-UP LAMP WAGON**

R&L Back-Up Lamp Assy ..... R/L #.2  
#Included in R&R Liftgate, w/Trim Panel Removed



1 Lamp Assy, Back-Up	R 84311AG04A L 84311AG05A	#.2 53.00 #.2 53.00
2 Lens & Body]	R 84912AG220 L 84912AG230	#.2 46.08 #.2 46.08
<i>#Included in R&amp;R Liftgate, w/Trim Panel Removed</i>		
3 Gasket, Lamp]	R/L 84940AG010	4.12
4 Bulb, Back-Up]	R/L 84920KE010	#.2 3.13
<i>#Included in R&amp;R/R Back-Up Lamp Assy</i>		
5 Socket, Bulb]	R/L 84931AG100	7.87
6 Holder, Lamp]	R/L 84943AG010	7.48
<i>#Included w/Back-Up Lamp Assy</i>		

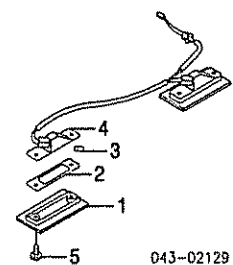
**LICENSE LAMP SEDAN**



1 Lens & Body	84912AG580	#.3 d153.72
2 Gasket, Upper	84940AG090	d67.77
3 Gasket, Lower (2)	84940AG030	d67.77
4 Clip, Lens (6)	909130088	2.47
5 Bulb, License (2)	784920080	1.50
6 Socket (2)	84931AG110	d57.77

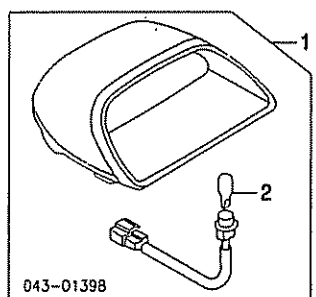
**LICENSE LAMP WAGON**

R&L License Lamp ..... R/L #.2  
#w/Trim Panel Removed



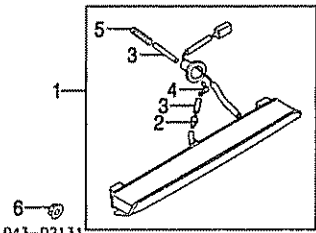
1 Lens, License Lamp	R 84910AG040 L 84910AG050	#.2 48.38 #.2 48.38
<i>#w/Trim Panel Removed</i>		
2 Gasket, License Lamp	R/L 84940AG050	48.38
3 Bulb, License Lamp	R/L 784920080	#.2 1.50
<i>#Included in R&amp;R/R License Lamp</i>		
4 Socket, License Lamp	R/L 84931AG110	d67.77
5 Screw, Tapping (2/Side)	R/L 045404254	.40

**HIGH MOUNT STOP LAMP SEDAN**



1 Lamp Assy, Stop	84701AG04AJC 84701AG04AWA	.3 168.83 .3 168.83
2 Bulb, Lamp]	84920KE010	3.13
<i>#Included w/Stop Lamp Assy</i>		

**HIGH MOUNT STOP LAMP WAGON**



1 Lamp Assy, Stop]	84701AG01A	#.4 170.35
<i>#Included in R&amp;R Spoiler</i>		
2 Valve, Washer] (a)	86634AG010	4.85
3 Hose, Washer] (a) (2)	86655AG320	.80
4 Joint, Washer] (a)	86638AG050	1.98
5 Protector, Washer] (a)	86628AG010	4.90
<i>#Included w/Spoiler Assy-listed in Roof Section</i>		
<i>(a) Included w/Stop Lamp Assy</i>		
6 Nut, Flange (2)	902370041	.88

**REAR BUMPER**

Use Procedure Explanations 27 and 28 with the following text.

**SEDAN**

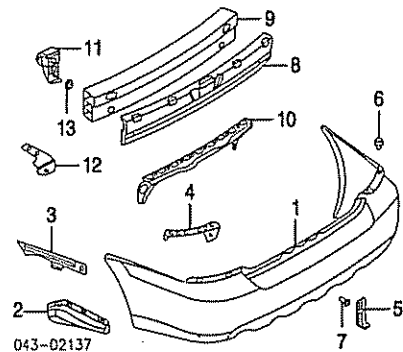
Refinish Rear Cover.....	2.0
Refinish Reinforcement Bar.....	.8
R&L Rear Cover.....	1.1
O/H Bumper Assy (Includes R&L).....	1.6

NOTE: All Parts in this section are included in overhaul unless noted otherwise.

Illustration Located in Next Column

1 Cover, Rear (P)		
Legacy	57704AG10A	1.6 229.95
Outback	57704AG12A	1.6 229.95

REAR BUMPER Cont'd		13 Gusset, Bumper Outback		R/L 50825AG10A 902370043		21.93 1.98	
SEDAN Cont'd		14 Nut, Flange (12) Mudguard		R/L N.A.		.2 0.00	



043-02137

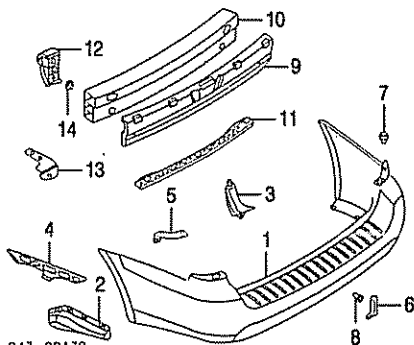
(P) Paint to Match

2 Cover, Bumper Side	R 57731AG14A	12.13	
	L 57731AG15A	12.13	
3 Bracket, Upper Side	R 57717AG14A	20.00	
	L 57717AG15A	20.00	
4 Bracket, Upper Corner	R/L 57707AG40A	14.82	
5 Bracket, Lower	R/L 57707AG28A	8.93	
6 Clip, Rear Cover (26)	909140007	70	
7 Grommet (4)	909300015	170	
8 Absorber, Impact			
Legacy	57705AG07A	IOH	64.95
Outback	57705AG09A	IOH	64.95
9 Bar, Reinforcement	57712AG08A	IOH	189.95
10 Retainer, Bar	57711AG04A		38.27
11 Bracket, Bumper Mtg	R 57714AG02A9P		33.08
	L 57714AG03A9P		33.08
12 Gusset, Bumper			
Outback	R 50825AG08A		25.55
	L 50825AG09A		25.55
13 Nut, Flange (12)	902370043		1.98

### WAGON

Refinish Rear Cover	2.0
Refinish Reinforcement Bar	.8
R&I Rear Cover	1.1
R&I Mudguard	R/L .2
O/H Bumper Assy (Includes R&I)	1.6
Add to R&I Rear Cover or O/H Bumper Assy w/Mudguards	4

NOTE: All Parts in this section are included in overhaul unless noted otherwise.



043-02138

1 Cover, Rear (p)			
Legacy	57704AG09A	1.6	229.95
Outback	57704AG11A	1.6	229.95
(P) Paint to Match			
2 Cover, Bumper Side	R 57731AG14A	12.13	
	L 57731AG15A	12.13	
3 Cover, Rear Side	R 57731AG49A	10.28	
	L 57731AG50A	10.28	
4 Bracket, Upper Side	R 57717AG14A	20.00	
	L 57717AG15A	20.00	
5 Bracket, Upper Corner	R 57707AG38A	14.65	
	L 57707AG39A	14.20	
6 Bracket, Lower (4)	57707AG27A	8.97	
7 Clip, Rear Cover (26)	909140007	70	
8 Grommet (4)	909300015	170	
9 Absorber, Impact			
Legacy	57705AG06A	IOH	64.95
Outback	57705AG08A	IOH	64.95
10 Bar, Reinforcement	57712AG13A		219.98
11 Retainer, Bar	57712AG14A		25.52
12 Bracket, Bumper Mtg			
Legacy	R 57714AG02A9P		33.08
	L 57714AG03A9P		33.08
Outback	R 57714AG04A9P		34.57
	L 57714AG05A9P		34.57

## SUBARU LEGACY/OUTBACK 2000-04

### SECTION INDEX

A/C /HEATER/VENTILATION	987
A/C REFRIGERANT CAPACITIES	987
ABS/BRAKES	989
AIR BAG SYSTEM	988
AIR CLEANER	992
BACK WINDOW	1002
CENTER CONSOLE	996
CLEAR COAT IDENTIFICATION	984
COOLING	986
COWL & DASH	994
CRUISE CONTROL SYSTEM	989
ELECTRICAL	993
EMISSION SYSTEM	993
ENGINE UNDER COVER	992
ENGINE/TRANS	991
ENGINE/TRANS MOUNTS	992
EXHAUST	993
FRONT BUMPER	985
FRONT DOOR	998
FRONT DRIVE AXLE	990
FRONT FENDER	987
FRONT INNER STRUCTURE	988
FRONT LAMPS	985
FRONT SEAT	997
FRONT STEERING LINKAGE/GEAR	990
FRONT SUSPENSION	989
FUEL TANK	1006
GRILLE	985
HOOD	986
INFORMATION LABELS	984
INSTRUMENT PANEL	995
LIFTGATE	1004
LUGGAGE LID	1004
PAINT CODE LOCATION	984
QUARTER GLASS	1004
QUARTER PANEL	1003
REAR BODY	1006
REAR BUMPER	1008
REAR DOOR	1000
REAR DRIVE AXLE	1006
REAR LAMPS	1007
REAR SEAT	998
REAR SUSPENSION	1005
ROCKER/PILLARS/FLOOR	996
ROOF	1001
SEAT BELTS	998
SPECIAL CAUTIONS	984
STEERING PUMP	991
STEERING WHEEL/COLUMN	991
SUNROOF	1002
UNDERHOOD DIMENSIONS	988
WHEEL	989
WINDSHIELD	994

### SPECIAL CAUTIONS

#### SUPPLEMENTAL RESTRAINT SYSTEM

Refer to Procedure Explanation 29 for Supplemental Restrain/Air Bag Special Cautions.

#### PAINT CODE LOCATION

Paint code located on left shock tower

#### CLEAR COAT IDENTIFICATION

All colors are clear coat

#### INFORMATION LABELS

Illustration Located in Next Column

1 Label, Vacuum Piping		
Man Trans	22304AB04A	dt 67