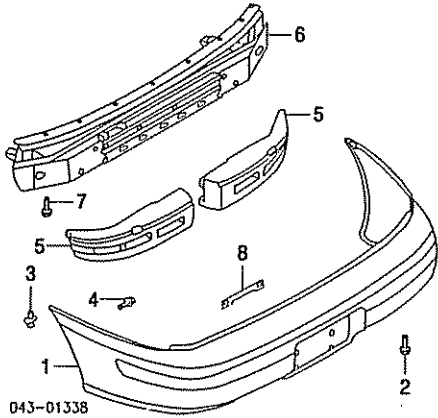


8 Nut	R/L 75727111		8.13
9 Brkt, Lower	93 R/L 57790FA160	IOH	65.10
	94-96 R/L 57790FA161	IOH	8.50
10 Clip, Upper	R/L 75754430		3.15
11 Retainer, Lower Cover			
1993 (7)	57719AA001		2.32
1994-96 (9)	57728AC090		.80
12 Absorber, Impact	R 57730FA010	IOH	54.95
	L 57730FA020	IOH	54.95
13 Bar, Reinforcement	57760FA151	IOH	219.95
14 Retainer, Upper Cover (9)	94-96 57728AC090		.80
15 Brkt, License	757745510		.2 5.50

1997-01

Refinish Rear Cover	2.5
R&I Bumper Assy	1.0
O/H Bumper Assy (Includes R&I)	1.5

NOTE: All Parts in this section are included in overhaul unless noted otherwise.



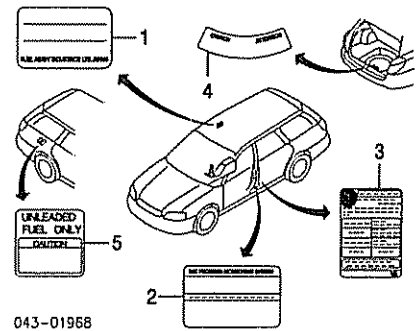
043-01338

1 Cover, Rear (P)	57720FA032	15	179.95
(P) Paint to Match			
Pad, Step "OUTBACK"	E7710FS000	#2	39.95
#Not Included in O/H			
2 Retainer, Cover (18)	57728AC090		.80
3 Rivet (2)	81910TA100		1.48
4 Bolt, Mounting (2)	010006126		.40
5 Absorber, Impact	R 57730FA010	IOH	54.95
	L 57730FA020	IOH	54.95
6 Bar, Reinforcement	57760FA151	IOH	219.95
7 Bolt & Washer (2/Slide)	R/L 901120047		2.53
8 Brkt, License	757745510		.2 5.50

SUBARU LEGACY/OUTBACK 2005

SECTION INDEX

A/C/HEATER/VENTILATION	960
A/C REFRIGERANT CAPACITIES	960
ABS/BRAKES	962
AIR BAG SYSTEM	962
AIR CLEANER	966
BACK WINDOW	977
CENTER CONSOLE	970
CLEAR COAT IDENTIFICATION	957
COOLING	959
COWL & DASH	969
ELECTRICAL	968
EMISSION SYSTEM	968
ENGINE OIL COOLER	960
ENGINE UNDER COVER	966
ENGINE/TRANS	965
ENGINE/TRANS MOUNTS	966
EXHAUST	967
FRONT BUMPER	957
FRONT DOOR	973
FRONT DRIVE AXLE	963
FRONT FENDER	961
FRONT INNER STRUCTURE	961
FRONT LAMPS	958
FRONT SEAT	971
FRONT STEERING LINKAGE/GEAR	963
FRONT SUSPENSION	963
FUEL TANK	981
GRILLE	958
HOOD	958
INFORMATION LABELS	957
INSTRUMENT PANEL	969
LIFTGATE	980
LUGGAGE LID	979
PAINT CODE LOCATION	957
QUARTER GLASS	979
QUARTER PANEL	977
REAR BODY	982
REAR BUMPER	983
REAR DOOR	974
REAR DRIVE AXLE	981
REAR LAMPS	983
REAR SEAT	972
REAR SUSPENSION	980
ROCKER/PILLARS/FLOOR	970
ROOF	975
SEAT BELTS	972
SPECIAL CAUTIONS	957
STEERING PUMP	964
STEERING WHEEL/COLUMN	964
SUNROOF	977
TURBOCHARGER/INTERCOOLER	966
UNDERHOOD DIMENSIONS	961
WHEEL	962
WINDSHIELD	968



043-01968

2 Label, Tire Info	28186AG00A	1.90
3 Label, Tire Pressure	28181AG52A	1.90
	#Order by Application	
4 Label, Tire Caution	91551AA062	1.93
5 Label, Unleaded Fuel		
4 Cyl	10024AA170	1.68
6 Cyl	10024AA07A	1.98
	#Order by Application	
Label, Air Bag	R/L 98281AE09A	1.98
Label, Jack	97034AG03A	1.90
Label, Fuse	82245AG000	1.82
Label, Glass Caution-See Back Window Section		
Label, A/C	73772AG02A	1.90

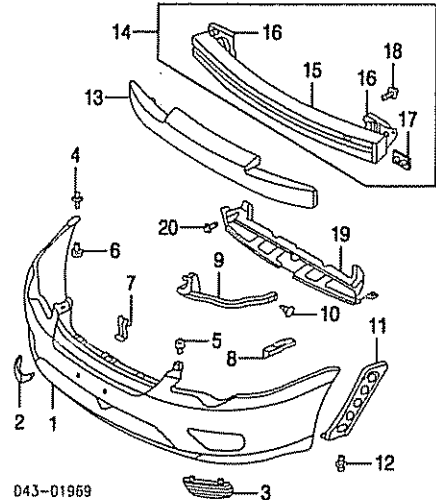
FRONT BUMPER

Use Procedure Explanations 1 and 28 with the following text.

LEGACY

Refinish Front Cover	2.0
Refinish Cover Plate	5
Refinish Fog Lamp Cover	R/L 4
Refinish Reinforcement Bar	.8
R&I Front Cover	#1.5
	#Includes R&I/R&R Fender Liners
O/H Bumper Assy (Includes R&I)	#2.4
	#Includes R&I Grille & R&I/R&R Fender Liners

NOTE: All Parts in this section are included in overhaul unless noted otherwise.



043-01969

1 Cover, Front (P)	57704AG02A	#2.1	229.95
(P) Paint to Match			
#Includes R&I Grille & R&I/R&R Fender Liners			
2 Plate, Cover	57731AG10A	2	10.70
3 Cover, Fog Lamp			
Atlantic Blue	R 57731AG80ABE	2	17.50
	L 57731AG81ABE	2	17.50
Obsidian Black	R 57731AG80AVV	2	17.50
	L 57731AG81AVV	2	17.50
Red	R 57731AG80ARO	2	17.50
	L 57731AG81ARO	2	17.50
Regal Blue	R 57731AG80ABH	2	17.50
	L 57731AG81ABH	2	17.50
Silver	R 57731AG80ATE	2	17.50
	L 57731AG81ATE	2	17.50
White	R 57731AG80AWH	2	17.50
	L 57731AG81AWH	2	17.50
4 Clip, Cover Side (2/Slide)	R/L 59122PA010		1.48
5 Clip, Center	R/L 57737GA290		1.98
6 Clip, Cover (9)	909140007		.70
7 Bracket, Lower	57707AG63A		8.97
8 Slider, Bumper Side	R 57765AG02A		4.40
	L 57765AG03A		4.40
9 Bracket, Corner	R 57707AG21A		47.32

SPECIAL CAUTIONS

SUPPLEMENTAL RESTRAINT SYSTEM

Refer to Procedure Explanation 29 for Supplemental Restraint/Air Bag Special Cautions

PAINT CODE LOCATION

Paint code located on left shock tower

CLEAR COAT IDENTIFICATION

All colors are clear coat

INFORMATION LABELS

Illustration Located in Next Column

1 Label, Radio Noise	10190AA00A	1.98
----------------------	------------	------

SUBARU LEGACY/OUTBACK 2005

FRONT BUMPER Cont'd

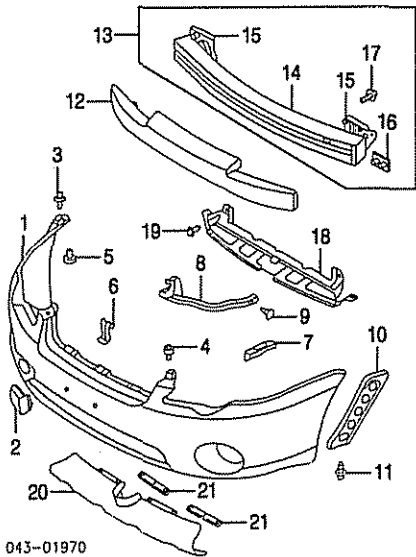
LEGACY Cont'd

10 Clip, Bracket	R/L 5770AG22A	47.32
11 Bracket, Bumper Side	R/L 46064AE000	98
	R 5770AG15A	14.40
	L 5770AG16A	14.40
12 Clip, Corner (2/Side)	R/L 59122PA010	1.48
13 Absorber, Impact	57705AG04A	IOH 64.95
14 Bar Assy, Reinforcement	57712AG01A	#.3 239.95
15 Bar, Reinforcement	57712AG27A	#.3 189.95
<i>#w/Front Cover Removed</i>		
16 Bracket, Reinforcement	R 57714AG08A9P	59.67
	L 57714AG09A9P	59.67
17 Nut, Plate	(4) N.A.	0.00
18 Bolt, Flange	(6) 010108207	54
<i>Included w/Reinforcement Bar Assy</i>		
19 Cover, Air Intake	57731AG70A	36.62
20 Clip, Cover	R/L 909130129	3.62
Sensor, Temperature	73730AG00A	8.15

OUTBACK

Refinish Front Cover	2.0
Refinish Cover Plate	.5
Refinish Reinforcement Bar	.8
R&I Front Cover	#1.5
<i>#Includes R&I/R&R Fender Liners</i>	
O/H Bumper Assy (Includes R&I)	#2.2
<i>#Includes R&I/R&R Fender Liners & Fog Lamps</i>	

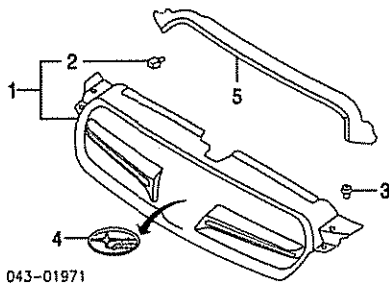
NOTE: All Parts in this section are included in overhaul unless noted otherwise.



1 Cover, Front (P)	57704AG03A	#1.9	229.95
<i>(P) Paint to Match</i>			
<i>#Includes R&I/R&R Fender Liners & Fog Lamps</i>			
2 Plate, Cover	57731AG11A	.2	10.73
3 Clip, Cover Side (2/Side)	R/L 59122PA010	1.48	
4 Clip, Center	R/L 57737GA290	1.98	
5 Clip, Cover (9)	909140007	.70	
6 Bracket, Lower	57707AG64A	9.02	
7 Slider, Bumper Side	R 57765AG02A	4.40	
	L 57765AG03A	4.40	
8 Bracket, Corner	R 57707AG21A	47.32	
	L 57707AG22A	47.32	
9 Clip, Bracket	R/L 46064AE000	98	
10 Bracket, Bumper Side	R 57707AG17A	16.17	
	L 57707AG18A	16.17	
11 Clip, Corner (2/Side)	R/L 59122PA010	1.48	
12 Absorber, Impact	57705AG05A	IOH 64.95	
13 Bar Assy, Reinforcement	57712AG02A	#.3	239.95
14 Bar, Reinforcement	57712AG28A	#.3	189.95
<i>#w/Front Cover Removed</i>			
15 Bracket, Reinforcement	R 57714AG08A9P	59.67	
	L 57714AG09A9P	59.67	
16 Nut, Plate	(4) N.A.	0.00	
17 Bolt, Flange	(6) 010108207	54	
<i>Included w/Reinforcement Bar Assy</i>			
18 Cover, Air Intake	57731AG70A	36.62	
19 Clip, Cover	R/L 909130129	3.62	
20 Guard, Bumper	57734AG00A	117.92	
21 Bracket, Guard	R 57707AG97A	7.98	
	L 57707AG98A	7.98	
Sensor, Temperature	73730AG00A	8.15	

GRILLE

R&I Grille Assy	#.2
<i>#Included in R&R or O/H Front Bumper</i>	

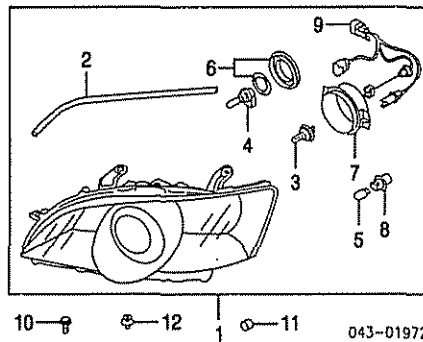


1 Grille Assy	Legacy 91121AG12A	.3	170.88
	Outback 91121AG07A	.3	156.78
2 Clip, Retainer	(4) 91165AG140		5.43
<i>#Included w/Grille Assy</i>			
3 Clip, Grille	R/L 909140907		.70
4 Emblem, Grille (Adhesive)	93013AG000	2	34.32
5 Seal, Grille	57252AG02A		19.58

FRONT LAMPS

COMBINATION LAMP

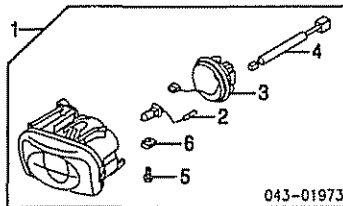
Aim Lamps	R/L	#.4
R&I Combination Lamp Assy	R/L	#.4
<i>#Included in R&I/R&R Fender</i>		



1 Lamp Assy, Combination	R 84001AG10A	#.4	299.95
	L 84001AG11A	#.4	299.95
<i>#Included in R&I/R&R Fender</i>			
2 Seal, Lamp	R 84942AG090		7.82
	L 84942AG100		7.87
3 Bulb, Outer Headlamp	R/L 84920AE000	#.2	17.48
4 Bulb, Inner Headlamp	R/L 84920PA000	#.2	19.95
5 Bulb, Signal	R/L 84920AG010	#.2	3.92
<i>R&R One Side Complete, Included in R&I/R&R Combination Lamp Assy</i>			
6 Cap, Headlamp	R/L 84953AG110		3.58
7 Cover, Headlamp	R/L 84953AG060		4.15
8 Socket, Signal	R/L 84930AG000		4.68
9 Harness, Headlamp	R/L 84981AG070		16.05
<i>#Included w/Combination Lamp Assy</i>			
10 Screw, Lamp (2/Side)	R/L 904586012		.60
11 Clip, Outer	R/L 84965PA010		1.00
12 Clip, Inner	R/L 909130051		.98

FOG LAMP LEGACY

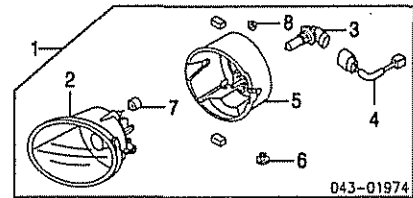
R&I Fog Lamp Assy	R/L	#.3
<i>#Included in R&R Front Cover or O/H Bumper Assy</i>		



1 Lamp Assy, Fog	R 84501AE260	#.3	278.13
	L 84501AE270	#.3	278.13
<i>#Included in R&R Front Cover or O/H Bumper Assy</i>			
2 Bulb	R/L 84920GA400	#.2	19.95
<i>#Included in R&I/R&R Fog Lamp Assy</i>			
3 Socket	R/L 84931AE210		26.95
4 Wire, Lamp	R/L 84981AE050		22.88
5 Screw, Lamp (2/Side)	R/L 57770KC000		.94
6 Nut, Lamp (2/Side)	R/L 57738KA000		2.37
<i>#Included w/Fog Lamp Assy</i>			

FOG LAMP OUTBACK

R&I Fog Lamp Assy	R/L	#.3
<i>#Included in R&R Front Cover or O/H Bumper Assy</i>		

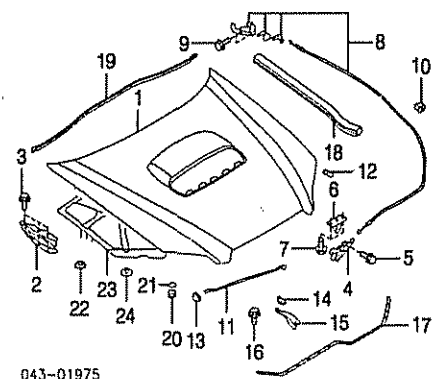


1 Lamp Assy, Fog	R 84501AG04A	#.3	129.07
	L 84501AG05A	#.3	129.07
<i>#Included in R&R Front Cover or O/H Bumper Assy</i>			
2 Lens & Body	R 84912AG310	#.3	113.35
	L 84912AG320	#.3	99.95
3 Bulb	R/L 84920PA010	#.2	19.95
<i>#Included in R&I/R&R Fog Lamp Assy</i>			
4 Socket & Wire	R/L 84981AG080		20.98
5 Bracket, Lamp	R/L 84927AG050		28.38
6 Clip, Lamp (2/Side)	R/L 909130051		.98
7 Cap, Lamp	R/L 84956AE050		2.60
8 Nut, Lamp	R/L 023806007		.64
<i>#Included w/Fog Lamp Assy</i>			

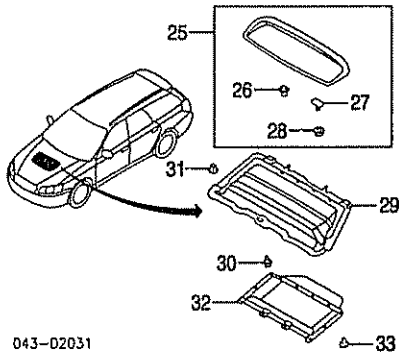
HOOD

Use Procedure Explanations 4 and 28 with the following text.

Refinish Hood Outside		2.7
Add for Underside		1.3
Refinish Hinge	R/L	3
Refinish Hood Grille Assy		.6
R&I Hood Assy		#.4
<i>#Includes Recaulk Hinge Edge</i>		
R&I Washer Nozzle	R/L	#.2
<i>#Included in R&R Hood Panel</i>		



1 Panel, Hood	Legacy		
	w/Turbo	57229AG04A9P	#1.5 358.68
	w/o Turbo	57229AG03A9P	#1.0 358.68
<i>Outback</i>			
	w/Turbo	57229AG04A9P	#1.5 358.68
	w/o Turbo	57229AG05A9P	#1.0 358.68
<i>#Includes Recaulk Hinge Edge</i>			
2 Hinge, Hood	R 57260AG02A9P	#.3	18.80
	L 57260AG03A9P	#.3	18.80
<i>#w/Hood Removed, Includes Recaulk Hinge Edge</i>			
3 Bolt & Washer (5/Side)	901250063		.74
4 Latch, Hood	57310AG010	.3	37.57
5 Bolt, Latch (3)	901000295		.50
6 Striker, Latch	57311SA000	.2	21.23
7 Bolt, Striker (2)	57313FA000		.74
8 Cable, Latch Release	57330AG09A	.7	16.70
9 Screw (2)	047406126		1.18
10 Clip, Cable (3)	57333AC000		.54
11 Stay, Hood Support	57251AG00A	#.2	53.18
12 Holder, Hood Stay	57242AG01A	#.2	3.70
13 Grommet, Hood Support	57253AA010	#.2	2.80
14 Clamp, Hood Stay	57255AG00A	#.2	3.87
<i>#R&R Complete</i>			
15 Bracket, Plate Support	57232AG05A		63.12
16 Bolt, Bracket	901120061		.44
17 Seal, Hood Front	57252AG00A	.2	13.45
18 Seal, Hood/Fender	R/L 57243AG000	.2	5.72
19 Seal, Hood Rear	57252AG01A	.2	18.60
20 Bumper, Front Hood	R/L 57254AG00A	.1	3.92
21 Protector, Front Bumper	R/L 57253AA031		.59
22 Plug, Hood	R/L 90941002B		.54
23 Insulator, Hood	90815AG16A	.4	39.47
24 Clip, Insulator (13)	909130074		.80
<i>Nozzle, Washer-See Windshield Section</i>			



043-02031

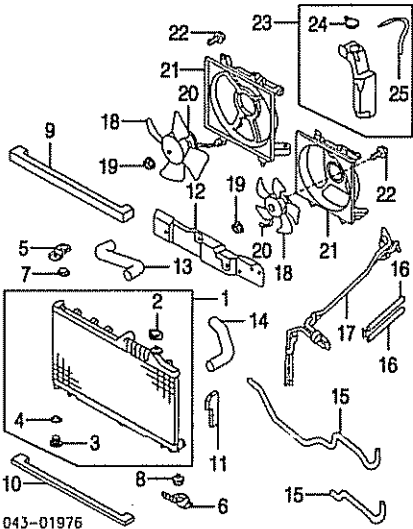
25 Grille Assy, Hood (P) (P) Paint to Match	90821AG000NN	#.5	175.27
26 Clip, Grille	909130130		98
27 Bolt, Grille Mtg (4)	901700143		54
28 Nut, Flange (4)	902370044		60
<i>Included w/Hood Grille Assy</i>			
29 Duct, Air Outer	90817AG001	#.5	182.25
30 Rivet	59130AA000		84
31 Grommet (4)	909300029		98
32 Duct, Air Inner	90817AG010	#.5	154.22
Legacy	90817AG020	#.5	154.22
Outback			
<i>#R&R Complete, included in R&R Hood</i>			
33 Clip, Duct (12)	90810PA010		1.20

COOLING

Use Procedure Explanations 5 and 28 with the following text.

4 CYL W/TURBO

R&I Radiator	9
Man Trans	1.1
Auto Trans	

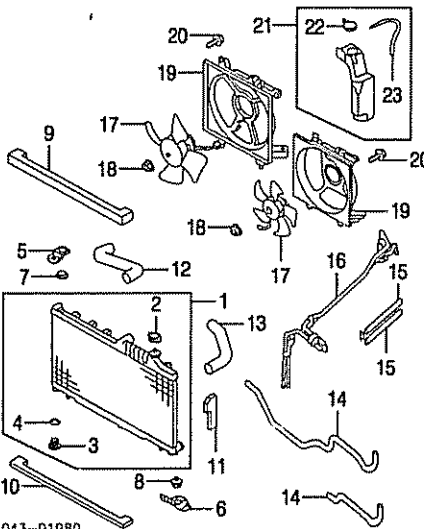


043-01976

1 Radiator Assy		9	129.95
Man Trans	45111AG03A		
Auto Trans	45111AG02A	1.1	189.95
2 Cap, Radiator	45137AE00B		11.60
3 Plug, Drain	45124AC000		9.65
4 O-Ring	45128KA000		2.17
<i>Included w/Radiator Assy</i>			
5 Bracket, Upr Radiator	R/L 45124AG00A		48.63
6 Bracket, Lwr Radiator	R/L 45124AG01A		49.25
7 Cushion, Upper Radiator	R/L 45135AE03A		2.84
8 Cushion, Lower Radiator	R/L 45135FE000		1.98
9 Seal, Upper Radiator	45167AE00A		15.52
10 Seal, Lower Radiator	45167AG01A		4.98
11 Seal, Side Radiator	45167AG00A		4.07
12 Cover, Radiator	45134AG000		35.92
13 Hose, Upper Radiator	45161AG00A	#.6	17.28
14 Hose, Lower Radiator	45161AG01A	#.6	8.02
<i>#R&R Both 1.0</i>			
15 Hose, Trans Fluid Front	R 45520AG01A	m #.5	7.45
L 45520AG05A		m #.5	16.95
<i>#R&R Complete</i>			
16 Hose, Trans Fluid Rear	R 45520AG04A	m #.5	5.43
L 45520AG05A		m #.5	5.72
<i>#R&R Complete</i>			
17 Pipe, Trans Fluid	45522AG01A	m	.7
18 Blade, Fan	R 73311AG00A	#.7	25.95
L 45121AG03A		#.7	39.95

4 CYL W/O TURBO

R&I Radiator	9
Man Trans	1.1
Auto Trans	

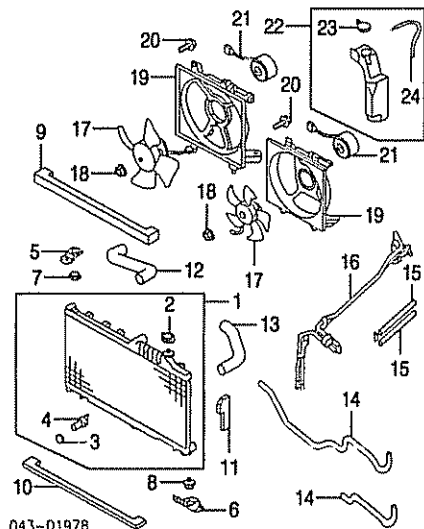


043-01980

1 Radiator Assy		9	129.95
Man Trans	45111AG01A		
Auto Trans	45111AG00A	1.1	175.15
2 Cap, Radiator	45137AE00B		11.60
3 Plug, Drain	45124AC000		9.65
4 O-Ring	45128KA000		2.17
<i>Included w/Radiator Assy</i>			
5 Bracket, Upr Radiator	R/L 45124AG00A		48.63
6 Bracket, Lwr Radiator	R/L 45124AG01A		49.25
7 Cushion, Upper Radiator	R/L 45135AE03A		2.84
8 Cushion, Lower Radiator	R/L 45135FE000		1.98
9 Seal, Upper Radiator	45167AE00A		15.52
10 Seal, Lower Radiator	45167AG01A		4.98
11 Seal, Side Radiator	45167AG00A		4.07
12 Hose, Upper Radiator	45161AG00A	#.6	17.28
13 Hose, Lower Radiator	45161AG06A	#.6	14.73
<i>#R&R Both 1.0</i>			
14 Hose, Trans Fluid Front	R 45520AG02A	m #.5	17.40
L 45520AG05A		m #.5	8.40
<i>#R&R Complete</i>			
15 Hose, Trans Fluid Rear	R 45520AG01A	m #.5	7.45
L 45520AG03A		m #.5	16.95
<i>#R&R Complete</i>			
15 Hose, Trans Fluid Rear	R 45520AG04A	m #.5	5.43
L 45520AG05A		m #.5	5.72
<i>#R&R Complete</i>			

6 CYL

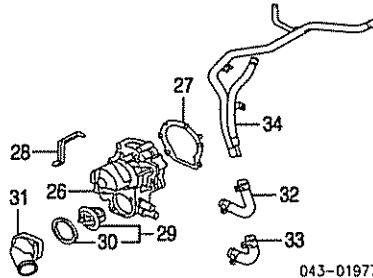
R&I Radiator Assy	9
-------------------	---



043-01978

1 Radiator Assy	45111AG04A	9	340.48
2 Cap, Radiator	45137AE01A		18.35
3 O-Ring	45167TC000		1.08
4 Plug, Drain	745124060		5.63
<i>Included w/Radiator Assy</i>			
5 Bracket, Upr Radiator	R/L 45124AG00A		48.63
6 Bracket, Lwr Radiator	R/L 45124AG01A		49.25
7 Cushion, Upper Radiator	R/L 45135AE03A		2.84
8 Cushion, Lower Radiator	R/L 45135FE000		1.98
9 Seal, Upper Radiator	45167AE00A		15.52
10 Seal, Lower Radiator	45167AG01A		4.98
11 Seal, Side Radiator	R/L 45167AG00A		4.07
12 Hose, Upper Radiator	45161AG03A	#.6	13.78
13 Hose, Lower Radiator	45161AG05A	#.6	13.87
<i>#R&R Both 1.0</i>			
14 Hose, Trans Fluid Front	R 45520AG02A	m #.5	17.40
L 45520AG05A		m #.5	8.40
<i>#R&R Complete</i>			
15 Hose, Trans Fluid Rear	R 45520AG04A	m #.5	5.43
L 45520AG05A		m #.5	5.72
<i>#R&R Complete</i>			
16 Pipe, Trans Fluid	45522AG01A	m	.7
17 Blade, Fan	R 73311AG00A	#.7	25.95
L 45121AG01A		#.7	36.62
18 Nut, Fan	R/L 023705000	#.7	.08
19 Shroud, Fan	R 73313AG01A	#.7	59.95
L 45122AG01A		#.7	45.43

19 Nut, Fan	R/L 023705000	#.7	.08
20 Motor, Fan	R/L 45131SA00A	#.7	170.92
21 Shroud, Fan	R 73313AG03A	#.7	23.53
L 45122AG03A		#.7	24.37
<i>#R&R One Side Complete, R&R Both Sides 1.0, w/Radiator</i>			
<i>Removed Duct 4</i>			
22 Screw, Shroud Mtg (2/Side)	R/L 904586010		1.92
23 Tank Assy, Coolant	45150AG01A	4	54.57
24 Cap, Tank (a)	45155AG00A		19.02
25 Hose, Coolant Tank (a)	45162AG03A		42.18
<i>(a) Included w/Coolant Tank Assy</i>			

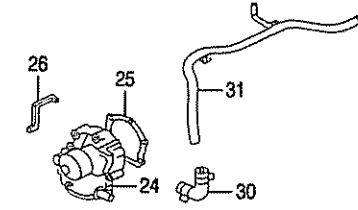


043-01977

26 Pump, Water	21111AA240	m	3.0	108.28
27 Gasket, Water Pump	21114AA051	m		2.55
28 Seal, Water Pump	14065AA250	m		62.87
29 Thermostat Assy	21210AA030		#.6	36.62
30 Gasket, Thermostat (b)	21236AA010		#.6	3.33
<i>(b) Included w/Thermostat Assy</i>				
31 Cover, Thermostat	11060AA061		#.6	16.33
<i>#R&R Complete</i>				
<i>Hose, By-Pass</i>				
32 Upper	807612011	#.5	6.58	
33 Lower	807615182	#.5	5.88	
<i>#R&R Complete</i>				
34 Pipe, By-Pass	14065AA250		2.6	62.67

16 Pipe, Trans Fluid	45522AG00A	m	7	134.23
4 Speed	45522AG01A	m	7	42.42
5 Speed	R 73310AG04A		#.7	117.32
17 Blade/Motor, Fan	L 45121AG02A		#.7	199.95
	R/L 45149KA000		#.7	1.10
18 Nut, Fan	R 45122AG02A		#.7	24.37
19 Shroud, Fan	L 73313AG02A		#.7	23.53

<i>#R&R One Side Complete, R&R Both Sides 1.0, w/Radiator</i>				
<i>Removed Duct 4</i>				
20 Screw, Shroud Mtg (2/Side)	R/L 904586010			1.92
21 Tank Assy, Coolant	45150AG00A	4		54.85
22 Cap, Tank (a)	45155AG00A			19.02
23 Hose, Coolant Tank (a)	45162AG02A			42.18
<i>(a) Included w/Coolant Tank Assy</i>				



043-01981

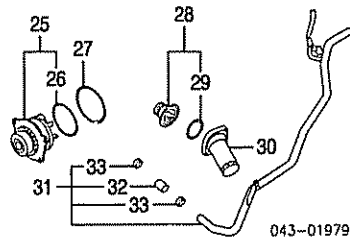
24 Pump, Water	21111AA110	m	3.0	91.95
25 Gasket, Water Pump	21114AA051	m		2.55
26 Seal, Water Pump	14065AA240	m		40.87
27 Thermostat Assy	21210AA030		#.6	36.62
28 Gasket, Thermostat (b)	21236AA010		#.6	3.33
<i>(b) Included w/Thermostat Assy</i>				
29 Cover, Thermostat	11060AA071		#.6	16.00
<i>#R&R Complete</i>				
30 Hose, By-Pass	807615081		5	9.95
31 Pipe, By-Pass	14065AA240		2.6	40.87

SUBARU LEGACY/OUTBACK 2005

COOLING Cont'd

6 CYL Cont'd

20 Bolt, Shroud (2/Side)	R/L 800506410	m	.88
21 Motor, Fan	R 73312AG00A L 45131AG00A	#.7	244.20 199.98
<i>#R&R One Side Complete, R&R Both Sides 1.0, w/Radiator Removed Deduct .4</i>			
22 Tank Assy, Coolant	45150AG00A	.4	54.85
23 Cap, Tank (a)	45155AG00A		19.02
24 Hose, Coolant Tank (a)	45162AG02A		42.18
<i>(a) Included w/Coolant Tank Assy</i>			

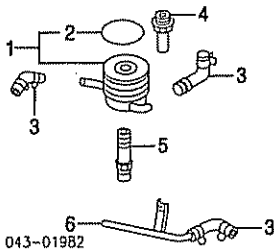


043-01979

25 Pump Assy, Water	21110AA360	m	3.6	103.28
26 Gasket, Water Pump (b)	806970030	m		3.42
<i>(b) Included w/Water Pump Assy</i>				
27 O-Ring	806982030	#.6		3.58
28 Thermostat Assy	21210AA080	#.6		32.67
29 Gasket, Thermostat (c)	21236AA010	#.6		3.33
<i>(c) Included w/Thermostat Assy</i>				
30 Cover, Thermostat	11060AA150	#.6		17.15
<i>#R&R Complete</i>				
31 Pipe Assy, Return	14165AA021	2.8		47.37
32 Hose, Return (d)	807615030	.5		9.95
33 Clamp, Hose (d) (2)	805922090			1.86
<i>(d) Included w/Return Pipe Assy</i>				

ENGINE OIL COOLER

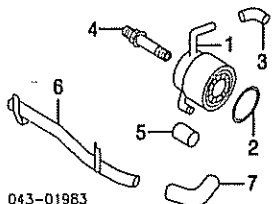
4 CYL



043-01952

1 Cooler Assy, Oil	21311AA051	m	1.0	158.83
2 Gasket, Oil Cooler	21370KA001	m		5.48
<i>Included w/Oil Cooler Assy</i>				
3 Hose, Oil Cooler (3)	807611031	m	.3	9.95
4 Extension, Hose	21389AA040	m		34.32
5 Connector, Oil Cooler	21317AA022	m		42.12
6 Pipe, Oil Cooler	21328AA011	m	.7	28.90

6 CYL



043-01963

1 Cooler, Oil	21311AA090	m	1.0	158.83
2 Gasket, Oil Cooler	21370KA001	m		5.48
3 Hose, Oil Cooler	21338AA060	m	.4	6.55
4 Connector, Oil Cooler	21317AA070	m		34.35
5 Hose, Return	807611090	m	.4	9.95
6 Pipe, Oil Cooler				
To 2-04	21328AA120	m	.7	91.15
From 2-04	21328AA121	m	.7	91.15
7 Hose, Cooler	807519061	m	.4	9.80

A/C REFRIGERANT CAPACITIES

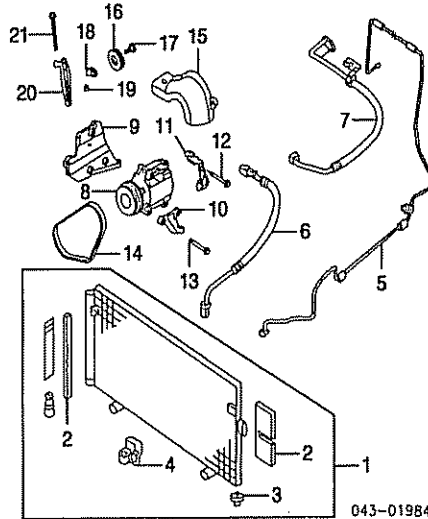
A/C R-134a Refrigerant Capacity
2005: 13.0-15.0 Ozs (0.84-0.92 Lbs)

A/C /HEATER/VENTILATION

Use Procedure Explanation 6 with the following text.

R&R Condenser	m	.8
Evacuate & Recharge System	m	1.4
Recover Refrigerant	m	.3

NOTE: R&R Does Not include recover, evacuate and recharge system.



043-01984

1 Condenser Assy	73210AG01A	m	.8	299.95
2 Seal, Condenser Slide	R 73237AG02A L 73237AG01A			2.10 4.90
3 Mount, Condenser	R/L 73274AG00A			1.93
4 Bracket, Condenser	R 73452AG00A L 73452AG01A			19.95 14.52
<i>Included w/Condenser Assy</i>				

5 Pipe, Condenser	73431AG01A	m	.8	101.95
6 Hose, Discharge				
4 Cyl	73424AG01A	m	.5	65.38
6 Cyl	73424AG00A	m	.5	73.57

7 Hose, Suction				
4 Cyl				
w/Turbo	73425AG06A	m	.6	100.03
w/o Turbo	73425AG04A	m	.6	98.80
6 Cyl	73425AG05A	m	.6	101.38

8 Compressor				
4 Cyl	73111AG000	m	.9	499.96
6 Cyl	73111AG010	m	.9	769.79

9 Bracket, Compressor				
No. 1				
4 Cyl	23950AA020			101.27
6 Cyl	23950AA030			101.27

No. 2				
4 Cyl	23951AA020			57.20
6 Cyl	23951AA030			57.20

No. 3				
4 Cyl	73633AG000			26.62
6 Cyl	73633AG010			34.32

12 Bolt, Upper	800708710			2.22
13 Bolt, Lower (2)	800708720			2.97

14 Bolt, Compressor				
4 Cyl				
w/Turbo	809214470			19.95
w/o Turbo	809214500			10.75
6 Cyl	809221080			32.95

15 Cover, Belt	73770AC010			21.40
16 Pulley, Idler				
4 Cyl				
w/Turbo	73131FC000	#.8		32.57
w/o Turbo	73131AC010	#.8		25.80

17 Shaft, Idler Pulley	73132AC000	#.8		8.82
------------------------	------------	-----	--	------

18 Adjuster, Pulley	73134AC001	#.8		6.54
---------------------	------------	-----	--	------

19 Nut, Adjuster (2)	73092AA000	#.8		.60
----------------------	------------	-----	--	-----

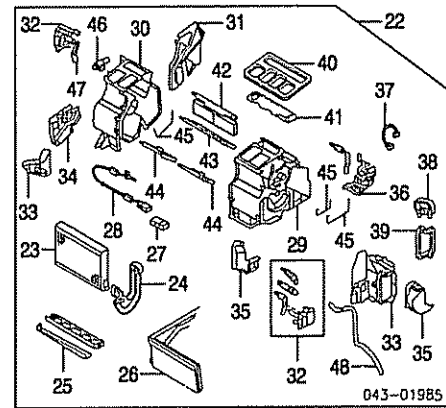
20 Bracket, Idler Pulley				
4 Cyl				
w/Turbo	73610AC000	#.8		21.50
w/o Turbo	73610AC010	#.8		21.50

21 Bolt, Bracket	73790AC100	#.8		2.40
<i>#R&R Complete, Includes R&R Drive Belt</i>				

Illustration Located in Next Column

22 Evaporator/Heater Assy				
4 Cyl				
w/Turbo	72110AG06A	m	#.8	345.53
w/o Turbo				
2.5i Model	72110AG04A	m	#.8	151.60
2.5i Limited Model	72110AG06A	m	#.8	345.53
6 Cyl	72110AG06A	m	#.8	345.53
<i>#w/Instrument Panel Removed</i>				

23 Core, Evaporator (a)	73523AG01A	m	#1.5	109.95
24 Pipe, Evaporator (a)	73551AG010	m	#1.5	155.95
<i>#R&R Complete, w/Instrument Panel Removed</i>				

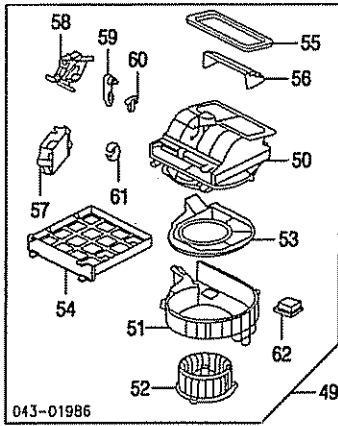


043-01985

25 Insulator, Evaporator (a)	73542AG03A	m		20.08
26 Core, Heater (a)	72130AG01A	m	#1.2	67.48
<i>#w/Instrument Panel Removed</i>				
27 Valve, Expansion (a)	73531AG010	m		134.62
28 Thermistor (a)				
4 Cyl				
w/Turbo	73540AG010	m		101.58
w/o Turbo				
2.5i Model	73540AG010	m		101.58
2.5i Limited Model	73540AG030	m		38.72
6 Cyl	73540AG010	m		101.58
29 Case, Heater Right (a)				
4 Cyl				
w/Turbo	72120AG06A	m		48.83
w/o Turbo				
2.5i Model	72120AG07A	m		48.83
2.5i Limited Model	72120AG06A	m		48.83
6 Cyl	72120AG06A	m		48.83
30 Case, Heater Left (a)	72120AG08A	m		48.83
31 Plate, Case Mount (a)				
Manual	72144AG04A	m		8.68
Auto				
4 Cyl				
w/Turbo	72144AG02A	m		7.03
w/o Turbo				
2.5i Model	72144AG03A	m		7.03
2.5i Limited Model	72144AG02A	m		7.03
6 Cyl	72144AG02A	m		7.03
32 Motor, Actuator (a)	R 72131AG11A L 72131AG12A	m	#.4	54.95
33 Duct (a)	R 72127AG13A L 72127AG15A	m	#.4	54.95
34 Cover, Pipe (a)	72126AG12A	m		28.72
35 Duct, Foot (a)	R 72127AG17A L 72127AG16A	m		17.45
36 Motor, Mode (a)	72131AG10A	m	#.4	11.15
<i>#w/Instrument Panel Removed</i>				
37 Harness, Heater (a)				
4 Cyl				
w/Turbo	72352AG02A	m		53.25
w/o Turbo				
2.5i Model	72352AG01A	m		17.68
2.5i Limited Model	72352AG02A	m		53.25
6 Cyl	72352AG02A	m		53.25
38 Cover, Expansion Valve (a)	72126AG14A	m		21.07
39 Gasket, Cover (a)	72133AG00A	m		3.62
40 Seal, Upper (a)	72133AG02A	m		12.38
41 Cover, Defroster Vent (a)	72126AG05A	m		11.15
42 Door, Defroster (a)	72162AG06A	m		17.12
43 Door, Heater (a)	72162AG05A	m		17.20
44 Door, Mix (a)				
Right				
4 Cyl				
w/Turbo	72162AG07A	m		15.43
w/o Turbo				
2.5i Model	72162AG08A	m		17.20
2.5i Limited Model	72162AG08A	m		17.20
6 Cyl	72162AG07A	m		15.43
Left	72162AG09A	m		14.98
45 Seal, Heater Cover (a)				
Right Outer	72133AG08A	m		2.47
Right Inner	72133AG10A	m		2.38
Left	72133AG09A	m		2.63
46 Cover, Duct (a)	72126AG04A	m		16.17
47 Lever, Motor (a)	72122AG06A	m		3.05
48 Hose, Heater (a)	72442AG01A	m		10.17
<i>(a) Included w/Evaporator/Heater Assy</i>				

Illustration Located in Next Column

49 Blower Assy				
4 Cyl				
w/Turbo	72210AG06A	m	1.2	349.95
w/o Turbo				
2.5i Model	72210AG04A	m	1.2	179.95
2.5i Limited Model	72210AG06A	m	1.2	349.95
6 Cyl	72210AG06A	m	1.2	349.95
50 Case, Upper Blower (b)	72213AG04A	m		51.80
51 Case, Lower Blower (b)	72213AG03A	m		48.10
52 Fan & Motor (b)	72223AG01A	m	.8	25.95



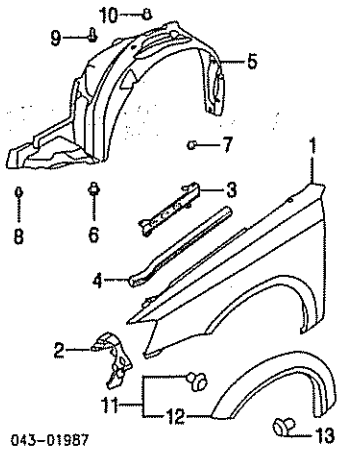
53 Plate, Blower (b)	72228AG03A	m	18.77
54 Filter (b)	73553AG02A	5	20.62
55 Gasket, Blower (b)	72218AG00A	m	4.07
56 Shutter, Blower (b)	72233AG00A	m	14.90
57 Control, Blower (b)	72343AG01A	6	206.52
58 Servo, Blower (b)	72131AG08A	m	48.92
Lever (b)			
59 No. 1	72216AG00A	m	1.73
60 No. 2	72215AG02A	m	1.98
61 Spring (b) (2)	72238AG00A	m	1.54
62 Resistor (b)			
4 Cyl			
w/Turbo	73533AG000	m	7 51.55
w/o Turbo			
2.5i Model	73532AG000	m	7 19.38
2.5i Limited Model	73532AG000	m	7 19.38
6 Cyl	73532AG000	m	7 19.38

043-01986

FRONT FENDER

Use Procedure Explanations 7 and 28 with the following text.

Refinish Front Fender	R/L	1.9
Add to Edge	R/L	.5
Refinish Wheel Opening Moulding	R/L	5
R&I Fender Assy	R/L	#2.5
#Includes R&I Front Cover, R&I/R&R Combination Lamp Assy, R&I Both Sides 3.5		
R&I Wheel Opening Moulding	R/L	3
R&I Mudguard	R/L	2
Add to R&I/R&R Fender		
w/Wheel Opening Moulding	R/L	3
w/Mudguards	R/L	2



043-01987

1 Fender			
Legacy	R 57110AG04A9P	#2.8	199.95
	L 57110AG05A9P	#2.8	199.95
Outback	R 57110AG06A9P	#2.8	199.95
	L 57110AG07A9P	#2.8	199.95
#Includes R&I Front Cover, R&I/R&R Combination Lamp Assy & Wheel Opening Moulding, R&I Both Sides 4.1			
2 Reinforcement, Fender	R 57140AG06A9P		21.97
	L 57140AG07A9P		21.97
3 Bracket, Fender	R 57160AG00A9P		16.13
	L 57160AG01A9P		16.13
4 Seal, Hood/Fender-See Hood Section			
5 Liner, Fender			
Legacy	R 59120AG04A	.4	105.05
	L 59120AG05A	.4	105.05
Outback	R 59120AG06A	.4	100.65
	L 59120AG07A	.4	100.65
Clip, Liner			
No. 1 (2/Side)	R/L 909140007		70

7 No. 2 (3/Side)	R/L 909130051		98
8 No. 3	R/L 909130067		98
#As Required			
9 Screw, Liner	R/L 59132AA010		.64
10 Grommet	R/L 909300029		98
#As Required			
11 Moulding Assy, Wheel Opening			
Atlantic Blue	R 91112AG22ABE	3	168.55
	L 91112AG23ABE	3	168.55
Black	R 91112AG22AVW	3	166.88
	L 91112AG23AVW	3	166.88
Gold	R 91112AG22AGA	3	168.17
	L 91112AG23AGA	3	168.17
Gray	R 91112AG22ALV	3	0.00
	L 91112AG23ALV	3	0.00
Green	R 91112AG22AFY	3	167.88
	L 91112AG23AFY	3	167.88
Red	R 91112AG22ARD	3	0.00
	L 91112AG23ARD	3	0.00
Silver	R 91112AG22ATE	3	167.22
	L 91112AG23ATE	3	167.22
White	R 91112AG22AWH	3	205.07
	L 91112AG23AWH	3	205.07
Paint to Match	R 91112AG22ANN	3	132.70
	L 91112AG23ANN	3	132.70
12 Clip, Moulding (a)	R/L 909130109		98
#As Required			
(a) Included w/Wheel Opening Moulding Assy			
13 Rivet, Moulding	R/L 59130AA000		.84
Mudguard	R/L N.A.	2	0.00

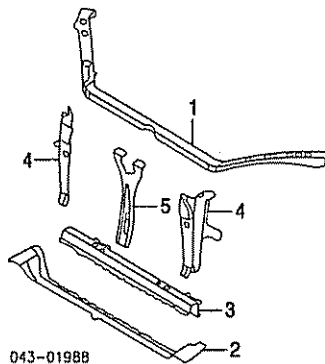
UNDERHOOD DIMENSIONS

Information not available at time of publication

FRONT INNER STRUCTURE

Use Procedure Explanations 8 and 28 with the following text.

FRONT	
Refinish Radiator Support Complete	1.5
Refinish Upper Tie Bar	5
Refinish Lower Tie Bar	5
Refinish Side Support Panel	R/L 5
Refinish Hood Latch Support	3
R&R Radiator Support Complete	s #6.5
#Includes R&I/R&R Combination Lamp Assemblies, Radiator, Fan Motor, Blade & Shroud as an Assy, Coolant Tank, Battery, Hood Latch, Power Steering Reservoir, Hood Support Stay, Air Cleaner Inlet, Homs, Upper Tie Bar, Inner & Outer Lower Tie Bars, Side Support Panels, Hood Latch Support, Disconnect & Connect Hood Release Cable, Wiring &/or Harness	
Add to R&R Radiator Support Assy	
To R&R Base Model Mechanical Components	m #2
#Includes R&I/R&R A/C Condenser	
w/Auto Trans.	m 2
To Air Lamps	.4
Evacuate & Recharge System	m 1.4
Recover Refrigerant	m 3

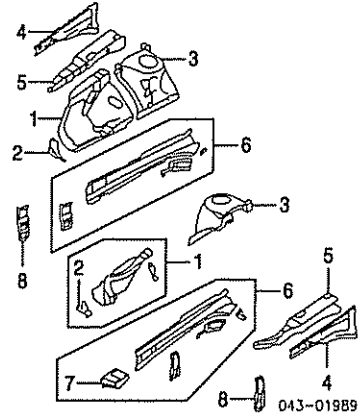


043-01988

1 Bar, Upper Tie	53060AG00A9P	s 1.5	24.95
2 Bar, Outer Lower Tie	51231AG00A9P	s #2.0	31.48
3 Bar, Inner Lower Tie	53060AG02A9P	s #2.0	27.93
#R&R Complete			
4 Panel, Side Support	R 53020AG00A9P	s 1.5	24.95
	L 53020AG01A9P	s 1.5	24.95
5 Support, Hood Latch	53040AG02A9P	.3	24.95

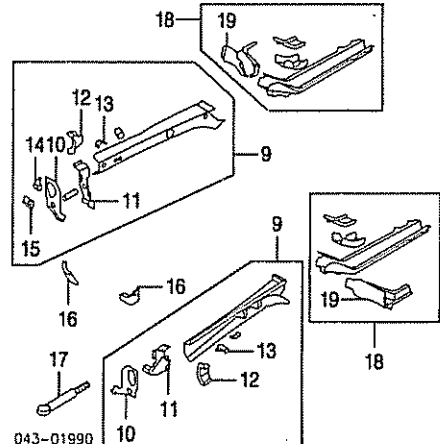
SIDE

Refinish Apron/Side Rail Assy	R/L	2.0
Refinish Front Apron	R/L	.5
Refinish Rear Apron	R/L	.5
Refinish Apron Upper Otr Reinf.	R/L	.5
Refinish Front Rail Assy	R/L	1.0



043-01989

1 Apron Assy, Front	R 51610AG00A9P	s 4.5	99.52
	L 51609AG01A9P	s 4.5	139.35
2 Bracket, Apron			
Right	51625AG20A9P		35.35
Left	51625AG64A9P		27.45
#Included w/Front Apron Assy			
3 Apron, Rear	R 51625AG57A9P	s #3.0	125.15
	L 51625AG01A9P	s #3.0	116.92
#w/Front Apron Removed			
4 Reinf, Upr Outer Apron	R 51021AG04A9P	s #1.5	30.53
	L 51021AG05A9P	s #1.5	30.53
5 Reinf, Upr Inr Apron	R 51610AG02A9P	s #1.5	69.90
	L 51610AG03A9P	s #1.5	75.25
#R&R One Side Complete			
6 Plate Assy, Closing	R 51615AG08A9P	s 1.5	105.55
	L 51615AG09A9P	s 1.5	105.70
7 Bracket, Battery (a)	L 51636AG02A9P		36.13
(a) Included w/Closing Plate Assy			
8 Hook, Tie-Down	R 51639AG00A9P		39.50
	L 51639AG01A9P		39.50



043-01990

9 Rail Assy, Front	R 51629AG02A9P	s #7.5	180.57
	L 51629AG03A9P	s #7.5	176.32
#w/Side Panel Removed Deduct 5, w/Front Apron Panel Removed Deduct 3.0			
10 Plate, Front Rail (b)	R 51635AG00A9P		38.97
	L 51635AG01A9P		38.97
11 Gusset, Rail (b)	R 51689AG00A9P		24.98
	L 51689AG01A9P		24.98
12 Bracket, Bumper (b)	R 51625AG12A9P		31.23
	L 51625AG13A9P		31.23
13 Separator, Side Sill (b)	R 51632AG08A9P		16.92
	L 51632AG09A9P		16.92
14 Plate, Upper (b)	R 51635AG09A9P		14.68
15 Plate, Lower (b)	L 51635AG10A9P		14.68
(b) Included w/Front Rail Assy			
16 Gusset, Front	R 51686AG14A9P		23.58
	L 51686AG15A9P		23.58
17 Hook, Front	57805AG00A		16.67
18 Rail Assy, Rear	R 51620AG20A9P	s #5.5	240.87
	L 51620AG21A9P	s #5.5	242.00
#R&R Front & Rear Rail Assemblies 9.5			
19 Reinf, Toe Board (c)	R 51630AG36A9P		51.10
	L 51630AG37A9P		51.10
(c) Included w/Rear Rail Assy			

ELECTRICAL COMPONENTS

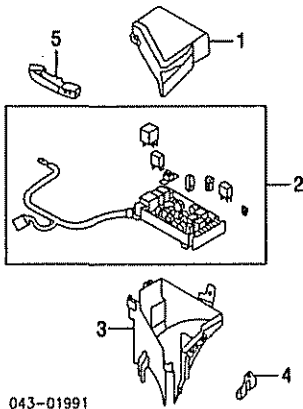
Illustration Located in Next Column

1 Cover, Fuse Box Upper	82243AG00A	1	44.18
-------------------------	------------	---	-------

SUBARU LEGACY/OUTBACK 2005

FRONT INNER STRUCTURE Cont'd

ELECTRICAL COMPONENTS Cont'd



043-01991

2 Box, Fuse			
4 Cyl	82290AG00A	m	140.97
6 Cyl	82290AG01A	m	150.08
3 Cover, Fuse Box Lower	82243AG01A	m	47.20
4 Bracket, Fuse Box	81041AG08A		48.52
5 Protector, Harness	81931AG07A		2.60

AIR BAG SYSTEM

Use Procedure Explanation 30 with the following text.

NOTE 1: R&R Does Not include disable and enable or diagnose Air Bag System.

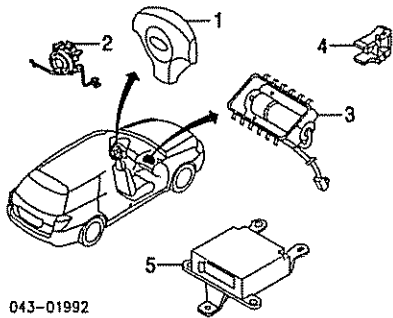
NOTE 2: Refer to Procedural Explanation 30 for Supplemental Restraint/Air Bag System Component Inspection and Replacement Information.

NOTE 3: For Air Bag System Service procedures, refer to Manufacturer's Service Repair Manual or Mitchell's Air Bag Service and Repair Manual.

FRONT

Disable & Enable Air Bag System	m	3
Diagnose Air Bag System (If Required)	m	5

#Includes Disconnect & Connect Scan Tool & Retrieve/Clear Trouble Codes



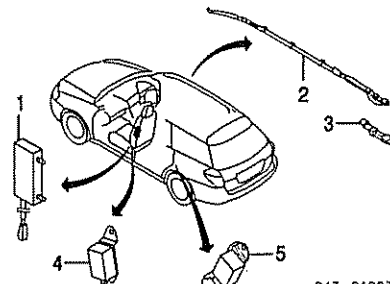
043-01992

1 Module, Driver Air Bag	98211AG01AJC	m	3	541.84
2 Clockspring (a)				
w/Vehicle Dynamic Control	83196AG010	m	9	252.35
w/o Vehicle Dynamic Control	83196AG02A	m	9	53.20
(a) Included w/Combination Switch Assy-listed in Steering Wheel/Column Section				
3 Module, Passenger Air Bag	98217AG01A	m	5	274.03
#w/Instrument Panel Removed				
4 Sensor, Front Impact	R/L 98231AG01A	m	3	79.95
#w/Front Bumper Removed				
5 Control, Air Bag Module				
Legacy	98221AG08A	m	4	386.48
Outback	98221AG04A	m	4	386.75
#w/Center Console Removed				

SIDE

Disable & Enable Air Bag System	m	3
Diagnose Air Bag System (If Required)	m	5

#Includes Disconnect & Connect Scan Tool & Retrieve/Clear Trouble Codes



043-01993

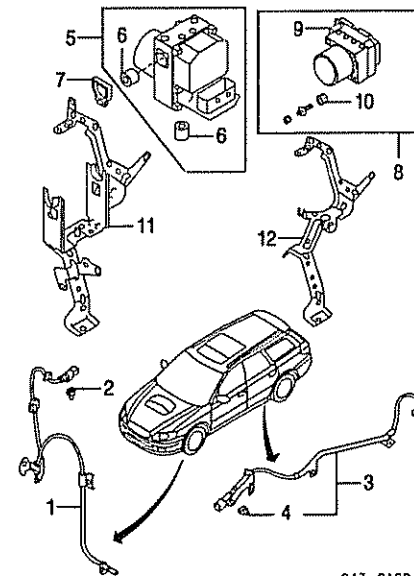
1 Module, Side Air Bag	R 98201AG02A	m	7	143.80
L 98201AG03A	m	7	143.80	
#w/Front Seat Assy Removed				
2 Air Bag, Side Curtain				
Legacy				
Sedan				
2.5 GT, 2.5i Model	R 98251AG10A	m	8	284.95
L 98251AG11A	m	8	284.95	
2.5GT Limited, 2.5i Limited Model	R 98251AG08A	m	8	268.58
L 98251AG09A	m	8	268.58	
Wagon				
2.5 GT, 2.5i Model	R 98251AG12A	m	8	293.32
L 98251AG13A	m	8	293.00	
2.5GT Limited, 2.5i Limited Model	R 98251AG06A	m	8	287.02
L 98251AG07A	m	8	287.02	
Outback				
Sedan	R 98251AG08A	m	8	268.58
L 98251AG09A	m	8	268.58	
Wagon				
2.5i, 3.0R Model	R 98251AG12A	m	8	293.32
L 98251AG13A	m	8	293.00	
2.5i, 2.5XT Limited Model	R 98251AG06A	m	8	287.02
L 98251AG07A	m	8	287.02	
3.0R Limited Model	R 98251AG06A	m	8	287.02
L 98251AG07A	m	8	287.02	
L.L. Bean Model	R 98251AG06A	m	8	287.02
L 98251AG07A	m	8	287.02	

3 Pad, Air Bag Module				
Wagon	R 98256AG02A			27.98
L 98256AG03A				30.25
Pre-tensioner, Seat Belt				
#Serviced w/Seat Belt				
4 Sensor, Side Air Bag	R 98235AG02A	m	3	118.02
L 98235AG03A	m	3	124.45	
#w/Center Pillar Trim Removed				
5 Sensor, Side Curtain Air Bag	R 98236AG02A	m	3	119.63
L 98236AG03A	m	3	124.45	

ABS/BRAKES

Bleed System	m	6
--------------	---	---

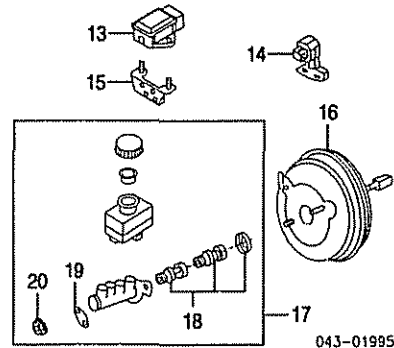
NOTE: R&R Does Not include bleed brake system.



043-01994

1 Sensor, Front ABS	R 27540AG00A	m	6	51.63
L 27540AG01A	m	6	52.05	
2 Clip, Front Sensor	R/L 27583AG000			1.98
3 Sensor Assy, Rear ABS	R/L 27540AG04A	m	6	52.17
4 Clip, Rear ABS Sensor	R/L 27583AG000			1.98
#Included w/Rear ABS Sensor Assy				
5 Actuator Assy, ABS				
w/Vehicle Dynamic Control				

Sedan	27596AG100	m	1.2	1090.97
Outback	27596AG040	m	1.2	1090.97
6 Bushing, Actuator (a)				
Front (2)	27533AG030			10.62
Lower	27532AC020			13.35
(a) Included w/ABS Actuator Assy				
7 Holder, Front Bushing (2)	27533AG010			10.62
8 Actuator Assy, ABS				
w/o Vehicle Dynamic Control				
Legacy				
Man Trans	27594AG01A	m	1.0	411.11
Auto Trans	27594AG00A	m	1.0	411.11
Outback				
Man Trans	27594AG03A	m	1.0	411.11
Auto Trans	27594AG02A	m	1.0	411.11
9 Control, Electronic (b)				
Legacy				
Man Trans	27529AG01A	m	1.0	301.70
Auto Trans	27529AG00A	m	1.0	301.70
Outback				
Man Trans	27529AG03A	m	1.0	301.70
Auto Trans	27529AG02A	m	1.0	301.70
10 Damper, Actuator (b) (2)	27533AG020			10.62
(b) Included w/ABS Actuator Assy				
Bracket, Actuator				
11 w/Vehicle Dynamic Control	27537AG01A		2	95.08
12 w/o Vehicle Dynamic Control	27537AG00A		2	91.35
#w/Actuator Assy Removed				



043-01995

G-Sensor				
w/Vehicle Dynamic Control (c)	27542AG000	m	5	847.81
14 w/o Vehicle Dynamic Control	27540AG06A	m	5	94.10
(c) Includes Yaw Sensor				
15 Bracket, Sensor				
w/Vehicle Dynamic Control	27547AG00A			10.50
16 Booster, Brake				
Legacy				
2.5 GT, GT Limited Model	26402AG05A	m	1.0	275.17
2.5i, 2.5i Limited Model	26402AG04A	m	1.0	275.17
Outback	26402AG06A	m	1.0	275.17
#Includes R&R Brake Master Cylinder				
17 Cylinder Assy, Brake Master (d)	26401AG010	m	7	168.23
18 Repair Kit, Cylinder (d) (e)	26479AG000	m		96.72
(d) Order by Application				
19 Bracket, Cylinder (e)	26446AG000			6.55
20 Nut, Cylinder Mtg (e) (2)	26441AG010			54
(e) Included w/Brake Master Cylinder Assy				

WHEEL

Use Procedure Explanation 10 with the following text.

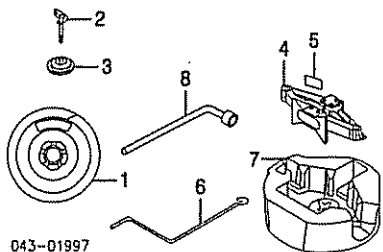
ALLOY WHEEL

Add to R&I Spare Wheel & Tire Assy				2
Wheel, Alloy				
Legacy				
2.5 GT, 2.5 GT Limited Model	28111AG04A		3	275.00
2.5i, 2.5i Limited Model	28111AE21A		3	249.95
Outback				
2.5i, 2.5i Limited Model	28111AG16A		3	249.95
2.5 XT, 2.5 XT Limited Model	28111AE21A		3	249.95
3.0R, 3.0R Limited Model	28111AG05A		3	275.00
L.L. Bean Model	28111AG15A		3	275.00
Cap, Wheel Center				
Legacy	28811AC110			39.95
Outback				
2.5i, 2.5i Limited Model	28811AC110			39.95
2.5 XT, 2.5 XT Limited Model	28811AE000			12.85
3.0R, 3.0R Limited Model	28811AE000			12.85
L.L. Bean Model	28821AG020			21.60
Valve, Stem	23142GAD40			2.43
Nut, Lug	623006021			1.95

SPARE WHEEL & HARDWARE

Illustration Located in Next Column

1 Wheel, Spare				
4 Cyl				
w/Turbo	28151FE030			102.93
w/o Turbo	28111AE34A			99.95
6 Cyl	28151FE030			102.93



043-01997

2 Bolt, Retainer	97052AE000	6.62
3 Retainer, Wheel	97052PA010	6.55
4 Jack		
Legacy	97032AG04A	69.13
Outback	97032AG05A	73.23
5 Label, Jack-See Information Labels Section		
6 Handle, Jack	97049AC000	44.32
7 Holder, Jack	97035AG02A	12.27
8 Wrench, Wheel Nut	97014AA000	13.16

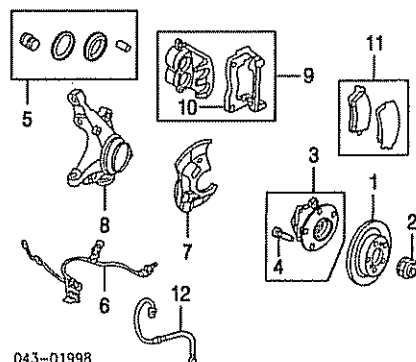
FRONT SUSPENSION

Use Procedure Explanation 11 with the following text.

R&L Suspension (One Side)	R/Lm	1.8
O/H Suspension (Includes R&L)		
One Side	R/Lm	4.2
Both Sides	m	8.0
Adjust Four Wheel Alignment	m	2.0
Adjust Front Alignment	m	1.3
Bleed Brake System	m	.6

NOTE 1: R&L/R&R or O/H Does Not include alignment or bleed brake system.

NOTE 2: All Parts in this section are included in overhaul unless noted otherwise.

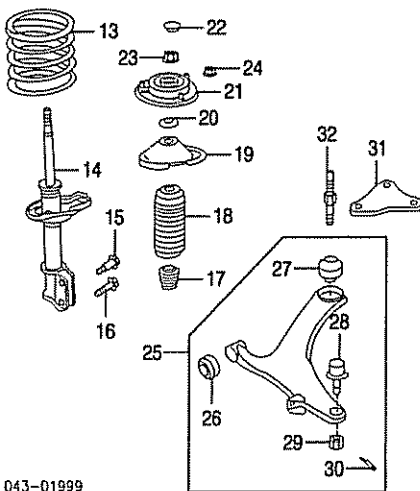


043-01998

1 Rotor, Brake			
Legacy	R/L 26300AG000	m	6.6
w/Turbo	R/L 26300AE00B	m	101.13
w/o Turbo	R/L 26300AE00B	m	84.95
Outback			
4 Cyl			
w/Turbo	R/L 26300AE02B	m	64.95
w/o Turbo	R/L 26300SA000	m	64.95
6 Cyl	R/L 26300AE02B	m	64.95
#R&R Both 1.0			
2 Nut, Axle	R/L 902170044	m	3.08
3 Hub Assy	R/L 26339AG00A	m	3.2
4 Bolt, Hub	R/L 28055AA002	m	2.23
<i>#Included w/Hub Assy</i>			
5 Seal Kit			
Legacy	26297AG000	m	28.55
Outback	26297AE00A	m	33.00
6 Sensor, Front ABS-See ABS/Brakes Section			
7 Shield, Splash			
Legacy	R/L 26290AG03A	m	3.2
Outback	R/L 26290AG02A	m	17.45
8 Knuckle, Steering	R/L 28313AG00A	m	3.2
#R&R One Side Complete, R&R Both 6.0			
9 Caliper Assy, Brake			
Legacy			
2.5 GT, 2.5 GT Limited Model	R 26292AG040	m	5.5
	L 26292AG050	m	279.40
2.5i Model	R 26292AE06A	m	5.5
	L 26292AE07A	m	227.67
2.5i Limited Model	R 26292AE04A	m	5.5
	L 26292AE05A	m	227.67
Outback	R/L 26292AE06A	m	5.5
	L 26292AE07A	m	227.67
10 Support, Caliper (a)			
Legacy			
2.5 GT, 2.5 GT Limited Model	R 26225AG040	m	5.5
	L 26225AG050	m	66.98
2.5i Model	R 26225AE010	m	5.5
	L 26225AE020	m	45.13
2.5i Limited Model	R 26225AE030	m	5.5
	L 26225AE040	m	45.30
Outback	R 26225AE030	m	5.5
	L 26225AE040	m	45.30

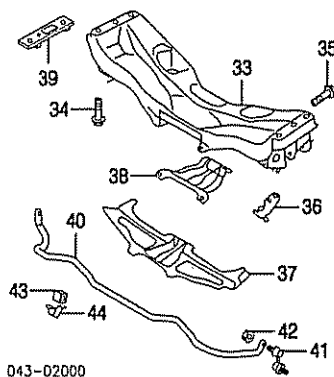
(a) Included w/Brake Caliper Assy
#R&R One Side Complete, R&R Both Sides .8

11 Pad Set, Brake			
Legacy			
2.5 GT, 2.5 GT Limited Model	26296AG000	m	1.0
2.5i, 2.5i Limited Model	26296FE081	m	94.88
Outback	26296AE160	m	87.50
#Deduct .5 for Each Caliper Removed			
12 Hose, Brake			
Legacy	R 26540AE01A	m	3.3
	L 26540AE03A	m	17.57
Outback	R 26540AE00A	m	3.3
	L 26540AE02A	m	16.92
#w/Caliper Removed Deduct .2			



043-01999

13 Spring, Coil (b)			
Legacy	R/L 20330AG02A	m	2.0
Outback	R/L 20330AG11A	m	37.65
(b) Order by Application			
14 Strut			
Legacy			
2.5 GT, 2.5 GT Limited Model	R 20310AG02A	m	2.0
	L 20310AG03A	m	116.62
2.5i, 2.5i Limited Model	R 20310AG00A	m	2.0
	L 20310AG01A	m	116.62
Outback	R/L 20310AG04A	m	2.0
	L 20310AG05A	m	116.62
15 Bolt, Adjusting	R/L 20540AA090	m	4.77
16 Bolt, Flange	R/L 20540AA100	m	3.22
17 Bumper			
Legacy	R/L 20321AA201	m	2.0
Outback	R/L 20321AG010	m	32.00
18 Cover, Strut	R/L 20322AG00A	m	2.0
19 Mount, Lwr Strut	R/L 20323AG00A	m	21.23
20 Spacer, Strut	R/L 20326AA000	m	2.0
21 Mount, Uptr Strut	R/L 20320AG00A	m	26.87
22 Seal, Dust	R/L 20326AA120	m	3.12
	R/L 20326AA100	m	33.08
	R/L 20326AA120	m	2.95
#R&R One Side Complete, w/Knuckle Removed Deduct 1.4, R&R Both Sides 3.8			
Nut, Self-Locking			
23 No. 1	R/L 023512006	m	1.97
24 No. 2 (3/Side)	R/L 902350013	m	.69
25 Arm Assy, Control	R 20202AG00A	m	1.7
	L 20202AG01A	m	100.35
#w/Knuckle Removed Deduct .7, R&R Both Sides 2.4			
26 Bushing, Front (c)	R/L 20204AG00A	m	4.4
27 Bushing, Rear (c)	R/L 20204AG01A	m	10.70
#R&R One Side Complete, w/Control Arm Assy Removed, Not Included in O/H			
28 Joint, Ball (c)	R/L 21067GA050	m	8.8
29 Nut, Arm (c)	R/L 023212010	m	36.98
30 Pin, Cotter (c)	R/L 051030300	m	.29
(c) Included w/Control Arm Assy			
31 Plate, Control Arm			
Legacy	R 20216AG00A	m	4.4
	L 20216AG01A	m	15.07
Outback	R 20216AG060	m	4.4
	L 20216AG070	m	14.98
#R&R Both 6, Included in R&R Control Arm, Not Included in O/H			
32 Bolt, Control Arm	R/L 901370005	m	6.58
<i>Illustration Located in Next Column</i>			
33 Crossmember			
w/Turbo	20101AG01A	m	4.3
w/o Turbo	20101AG00A	m	207.60
#Includes R&R Stabilizer Bar, Front Exhaust Pipe, Steering Gear Assy & Engine Mounts, Not Included in O/H			
Bolt, Crossmember			
34 No. 1 (2/Side)	R/L 901008242	m	2.13
35 No. 2	R/L 901008250	m	.74
Support, Crossmember			
w/Turbo	20107AG00A	m	39.50
w/o Turbo	R/L 20107AG010	m	17.98
38 Support, Jack	20516AG00A	m	77.65



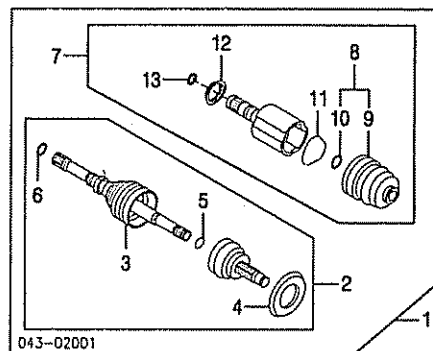
043-02000

39 Adapter, Crossmember	R/L 20511AG000		40.87
40 Bar, Stabilizer			
Legacy			
w/Turbo	20401AG04A	m	6.6
w/o Turbo	20401AG03A	m	51.23
Outback			
w/Turbo	20401AG04A	m	6.6
w/o Turbo	20401AG00A	m	49.08
#Includes R&R Stabilizer Links, Bushings & Brackets, Not Included in O/H			
41 Link, Stabilizer	R/L 20420AG00A	m	3.3
#Not Included in O/H			
42 Nut, Link (2/Side)	R/L 902350001	m	1.74
43 Bushing, Stabilizer			
No. 1	R/L 20464AG05A	m	3.3
No. 2	R/L 20464AG08A	m	2.63
44 Bracket, Stabilizer	R/L 20416AG00A	m	3.3
#R&R One Side Complete, Not Included in O/H			

FRONT DRIVE AXLE

R&L Axle Shaft Assy	R/Lm	4.4
O/H Axle Shaft Assy (Includes R&L)	R/Lm	11.2
#w/Necessary Suspension Components Removed		

NOTE: All Parts in this section are included in overhaul unless noted otherwise.



043-02001

1 Shaft Assy, Axle	R/L 28321AG00A	m	4.4
#w/Necessary Suspension Components Removed			
2 Joint Assy, Outer	R/L 28391AG00A	m	5.5
3 Boot, Outer Joint (b)	R/L 28323AG000	m	10.95
#w/Axle Shaft Assy Removed			
4 Baffle, Outer (b)	R/L 28337AG000	m	8.07
5 Circlip (b)	R/L 28033PA060	m	1.60
6 Ring, Snap (b)	R/L 28035TA040	m	8.85
(b) Included w/Outer Joint Assy			
7 Joint Assy, Inner	R/L 28392AG00A	m	5.5
8 Boot Kit, Inner (c)	R/L 28397AG00A	m	9.60
#w/Axle Shaft Assy Removed			
9 Boot, Inner (c) (d)	R/L 28323AG010	m	11.88
10 Circlip, Boot (c) (d)	R/L 28337AG000	m	8.07
(d) Included w/Inner Boot Kit			
11 Circlip, Inner (c)	R/L 28333AG000	m	4.73
12 Baffle, Inner (c)	R/L 28337AG010	m	8.07
13 Ring, Snap (c)	R/L 28035TA040	m	8.85
(c) Included w/Axle Shaft Assy			
(c) Included w/Inner Joint Assy			

FRONT STEERING LINKAGE/GEAR

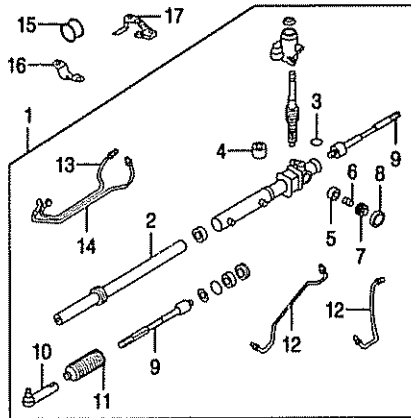
R&L Steering Gear Assy	m	2.7
O/H Steering Gear Assy (Includes R&L)	m	4.0

NOTE 1: R&L/R&R Does Not include adjust wheel alignment.

NOTE 2: All Parts in this section are included in overhaul unless noted otherwise.

SUBARU LEGACY/OUTBACK 2005

FRONT STEERING LINKAGE/GEAR Cont'd

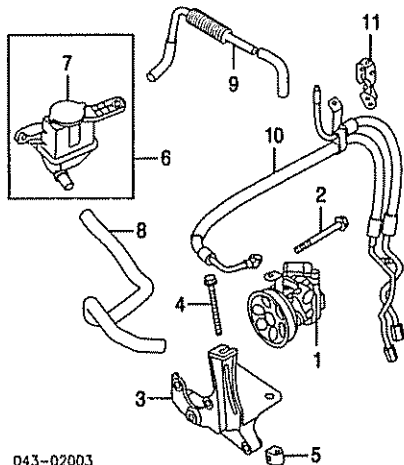


043-02002

1 Gear Assy				
Legacy	34110AG06A	m	2.9	516.74
Outback	34110AG05A	m	2.9	516.74
2 Rack				
Legacy	34116AG09A	m	4.0	00.00
Outback	34116AG06A	m	4.0	00.00
3 Seal, Valve	34192AG01A	m		0.00
4 Bushing, Strg Gear (2)	34112AG00A	m		21.40
5 Sleeve, Gear Box				
Legacy	34132AG01A	m		00.00
Outback	34132AG00A	m		00.00
6 Spring, Adjust	34130AG02A	m		00.00
7 Screw, Adjust	34133AG00A	m		0.00
8 Nut, Lock	34192AG00A	m		0.00
9 Rod, Inner Tie	RL 34160AG00A	m	#.6	29.95
#w/Steering Gear Assy Removed, Includes R&R Boot & Tie Rod End, R&R Both Sides .9				
10 End, Tie Rod	R/L 34141AC010	m	.3	49.95
11 Boot	R 34137AG00A	m	#.6	20.95
	L 34137AG01A	m	#.6	0.00
#Includes R&R Tie Rod End				
12 Tube, Feed	R 34114AG04A	m		0.00
	L 34114AG05A	m		0.00
13 Pipe, Pressure	34114AG06A	m	#.7	14.90
14 Pipe, Return	34114AG07A	m	#.7	16.42
#Included w/Gear Assy				
#R&R Complete, w/Steering Gear Assy Removed				
15 Bushing, Mount	34115AG01A			0.00
16 Bracket, Bushing	34166AG05A			0.00
17 Stiffener, Steering Gear	34166AG03A			0.00

STEERING PUMP

4 CYL

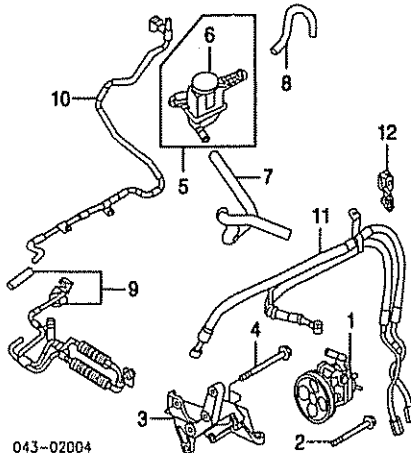


043-02003

1 Pump, Steering				
w/Turbo	3443BAG040	m	1.5	468.74
w/o Turbo	34430AG03A	m	1.5	285.33
2 Bolt, Pump	34445FE060	m		3.70
3 Bracket, Pump/Alternator	22870AA140	m		58.80
4 Bolt, Bracket	34435AA030	m		5.32
5 Nut, Bracket	34436AA001	m		4.38
6 Tank Assy, Reservoir	34630AG00A	m	.5	39.75
7 Cap, Tank	34631AG00A			12.67
#Included w/Reservoir Tank Assy				
8 Hose, Suction	34611AG03B	m	.6	55.80

w/o Turbo	34611AG07A	m	.5	35.27
9 Hose, Return	34611AG00B	m	.8	135.35
10 Hose, Pwr Strg				
Legacy				
w/Turbo	34610AG05A	m	1.1	134.23
w/o Turbo	34610AG10A	m	1.1	122.50
Outback				
w/Turbo	34610AG12A	m	1.1	135.00
w/o Turbo	34610AG11A	m	1.1	123.60
11 Bracket, Strg Hose	34618AG00A			10.12

6 CYL



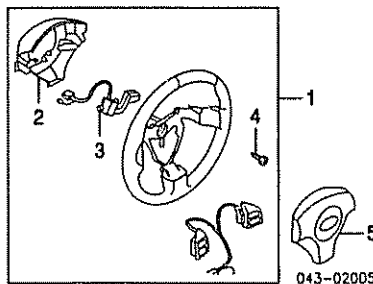
043-02004

1 Pump, Steering	34430AG011	m	1.5	468.74
2 Bolt, Pump	34445FE060	m		3.70
3 Bracket, Pump/Alternator	22870AA042	m		58.80
4 Bolt, Pump	901000193	m		2.80
5 Tank Assy, Reservoir	34630AG00A	m	.5	39.75
6 Cap, Tank	34631AG00A			12.67
#Included w/Reservoir Tank Assy				
7 Hose, Suction	34611AG05C	m	.6	38.27
8 Hose, Return	34611AG180	m	.8	16.33
9 Pipe, Front Cooler	34620AG060	m	#.9	111.03
10 Pipe, Rear Cooler	34620AG040	m	#1.1	73.82
#R&R Both 1.6				
11 Hose, Pwr Strg	34610AG08B	m	1.1	214.32
12 Bracket, Strg Hose	34618AG00A			10.12

STEERING WHEEL/COLUMN

NOTE: All Parts in this section are included in overhaul unless noted otherwise.

WHEEL & TRIM W/CRUISE CONTROL



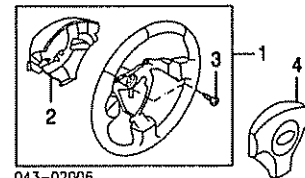
043-02005

1 Wheel Assy, Steering				
2.5 GT Model	34311AG13AJC	m	5	327.63
2.5 GT Limited Model				
Man Trans	34311AG13AJC	m	.5	327.63
Auto Trans	34311AG19AJC	m	.5	313.72
2.5 XT, 2.5 XT Limited Model	34311AG13AJC	m	.5	327.63
3.0R Model	34311AG11AJC	m	.5	254.28
3.0R Limited Model	34311AG18AJC	m	.5	415.15
L.L. Bean Model	34311AG1BAJC	m	.5	415.15
2 Cover, Lower	34317AG02AJC			8.85
3 Switch, Cruise	83151AG02A	m	.3	52.17
4 Screw, Tapping (5)	34336FA000			2.02
#Included w/Steering Wheel Assy				
5 Module, Driver Air Bag-See Air Bag System Section				

WHEEL & TRIM W/O CRUISE CONTROL

Illustration Located in Next Column

1 Wheel Assy, Steering				
------------------------	--	--	--	--

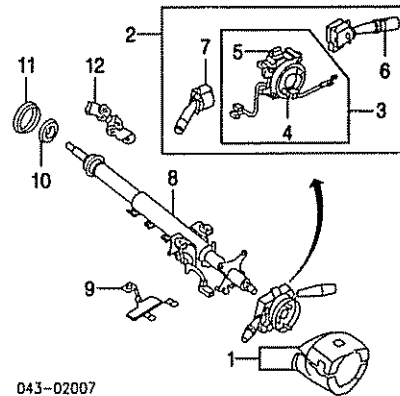


043-02006

2.5i Model	34311AG10AJC	m	.5	120.52
2.5i Limited Model	34311AG11AJC	m	.5	254.28
2 Cover, Lower	34317AG02AJC			8.85
3 Screw, Tapping (5)	34336FA000			2.02
#Included w/Steering Wheel Assy				
4 Module, Driver Air Bag-See Air Bag System Section				

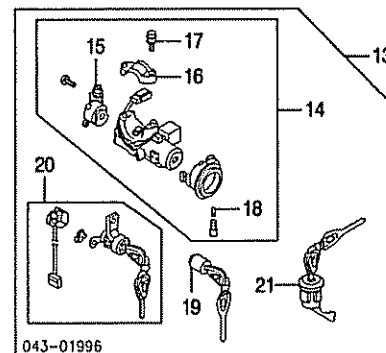
COLUMN TILT

R&I Steering Column		m	1.3	
O/H Steering Column (Includes R&I)		m	2.4	



043-02007

1 Cover, Column	34341AG02AJC	m	.3	31.93
2 Switch Assy, Combination (a)				
w/Vehicle Dynamic Control	83111AG45B	m	.9	280.85
w/o Vehicle Dynamic Control	83111AG41B	m	.9	149.95
(a) Order by Application				
3 Body Assy, Switch (b)				
w/Vehicle Dynamic Control	83113AG010	m	1.0	14.12
w/o Vehicle Dynamic Control-Serviced by Components				
4 Clockspring (b) (c)-See Air Bag System Section				
5 Body, Switch (b) (c)	83119AG000	m	1.0	36.50
(c) Included w/Switch Body Assy				
6 Switch, Dimmer (a) (b)	83115AG041	m	.7	73.53
(a) Order by Application				
7 Switch, Wiper (b)				
Sedan	83114AG020	m	.7	27.23
Wagon	83114AG030	m	.7	34.82
(b) Included w/Combination Switch Assy				
8 Column, Steering				
Legacy	34500AG08A	m	1.8	173.73
Outback				
2.5i, 2.5i Limited Model	34500AG09A	m	1.8	171.05
2.5 XT, 2.5 XT Limited Model	34500AG09A	m	1.8	171.05
3.0R, 3.0R Limited Model	34500AG10A	m	1.8	182.40
L.L. Bean Model	34500AG10A	m	1.8	182.40
9 Protector, Knee	34351AG00A	m		16.42
10 Seal, Column	34371AE000	m		2.25
11 Bushing, Steering	34361AG000	m		17.15
12 U-Joint				
Legacy	34170AG021	m		169.65
Outback	34170AG041	m		169.65



043-01996

13 Lock Set, Complete (a)				
Man Trans	57491AG24A	#		385.87
Auto Trans	57491AG25A	#		403.97
#Not Included in O/H				
14 Cylinder Assy, Ignition (a)				
Man Trans	83191AG08A	m	1.3	193.55

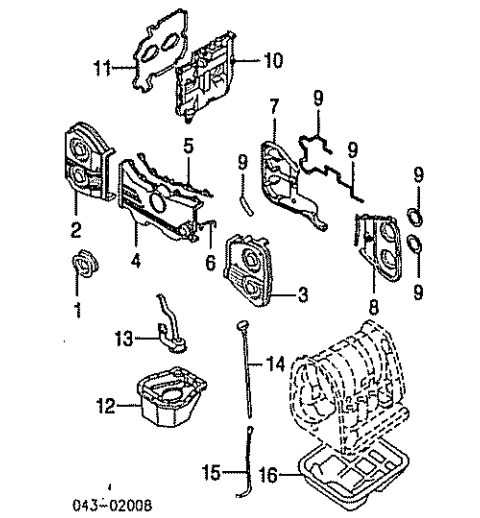
Auto Trans	83191AG09A	m	13	215.70
<i>(a) Order by Application</i>				
15 Switch, Ignition (d)	83131AG000	m	9	39.22
16 Bracket, Switch (d)	83141AG01A	m		0.00
17 Bolt, Bracket (d) (2)	83140GA000	m	1.04	1.04
18 Bulb, Key Lamp (d)	04662AG030	m		17.12
<i>(d) Included w/ignition Cylinder Assy</i>				
19 Cylinder, Glove Box Lock	-See Instrument Panel Section			
20 Cylinder, Door Lock	-See Front Door Section			
21 Cylinder, Lid Lock	-See Luggage Lid Section			
<i>Includes w/Complete Lock Set</i>				

ENGINE/TRANS

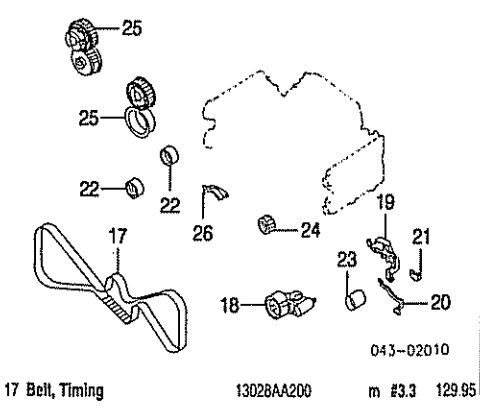
Use Procedure Explanation 12 with the following text.

4 CYL W/TURBO

R&I Engine/Trans Assy	m	6.7
-----------------------	---	-----



1 Pulley, Crankshaft	12305AA251	m	5	119.95
2 Cover, Frt Right Timing Belt	13572AA092	m	5	22.88
3 Cover, Frt Left Timing Belt	13574AA094	m	5	24.52
4 Cover, Frt Center Timing Belt	13570AA044	m	#1.5	64.60
<i>#Includes R&R Crankshaft Pulley & Front Side Timing Covers</i>				
Seal, Center Cover				
5 Upper	13581AA050	m		19.43
6 Lower	13594AA000	m		14.37
7 Cover, Timing Belt				
Right Rear				
Man Trans	13573AA130	m		29.42
Auto Trans	13573AA120	m		29.42
8 Left Rear				
Man Trans	13575AA130	m		24.52
Auto Trans	13575AA103	m		24.52
9 Seal, Rear Cover				
No. 1	13583AA260	m		3.58
No. 2	13583AA270	m		2.13
No. 3	13583AA280	m		2.13
No. 4 (2)	13583AA290	m		2.13
10 Cover, Valve	R 13264AA310	m	#2.4	95.35
	L 13276AA270	m	#2.4	95.35
<i>#w/Air Cleaner Assy & Intercooler Removed</i>				
11 Gasket, Valve Cover	R 13270AA190	m		9.95
	L 13272AA140	m		9.95
12 Pan, Eng Oil	11109AA131	m	#2.0	105.17
<i>#w/Air Cleaner Assy & Intercooler Removed</i>				
13 Strainer, Oil	15049AA070	m		24.52
14 Dipstick, Eng Oil	11140AA120	m		12.27
15 Tube, Eng Dipstick	15144AA011	5		21.07
16 Pan, Trans Oil				
4 Speed	31390AA081	m	8	53.90
5 Speed	31390AA110	m	8	53.90

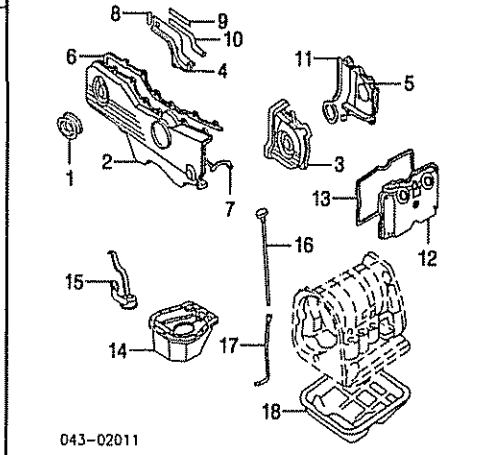


17 Belt, Timing	13028AA200	m	#3.3	129.95
-----------------	------------	---	------	--------

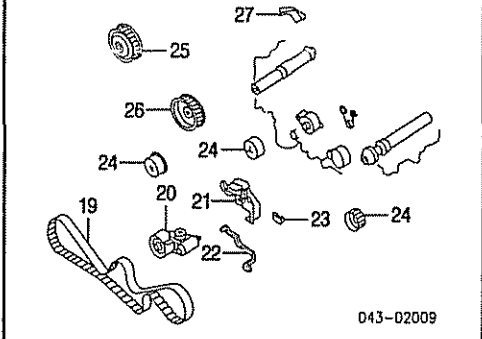
<i>#Includes R&R Crankshaft Pulley & Outer Timing Covers</i>				
18 Adjuster, Belt Tensioner	13033AA040	m	#2	123.45
19 Bracket, Tensioner	13156AA062	m		31.02
20 Seal, Front Bracket	13091AA060	m		4.92
21 Seal, Rear Bracket	13091AA050	m		2.07
22 Idler, Pulley				
No. 1 (2)	13073AA142	m	#1	83.28
No. 2	13073AA230	m	#1	40.87
No. 3	13073AA142	m	#1	83.28
23 Sprocket, Camshaft	R 13320AA000	m	#2	168.23
	L 13322AA000	m	#2	168.23
<i>#w/Timing Belt Removed</i>				
26 Guide, Timing Belt	13145AA021	m		5.35

4 CYL W/O TURBO

R&I Engine/Trans Assy	m	5.3
-----------------------	---	-----

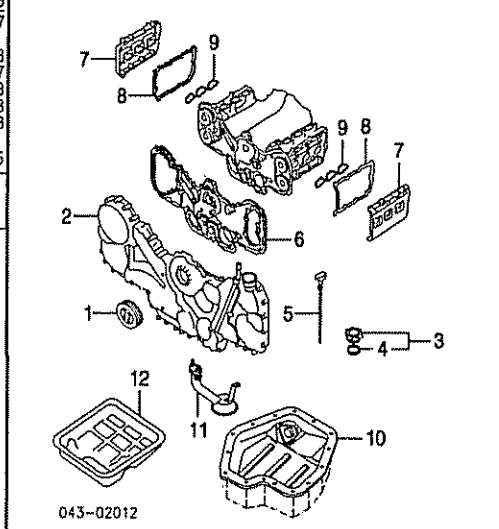


1 Pulley, Crankshaft	12305AA251	m	8	119.95
2 Cover, Frt Right Timing Belt	13570AA12B	m	#1.5	29.58
3 Cover, Frt Left Timing Belt	13574AA10A	m	#5	18.82
<i>#R&R Both 1-3, Includes R&R Crankshaft Pulley</i>				
4 Cover, Timing Belt				
Right Rear	13573AA11B	m		14.20
Left Rear	13575AA12A	m		16.58
5 Seal, Right Front Cover				
Upper	13594AA041	m		20.37
Lower	13594AA06B	m		46.60
6 Seal, Right Rear Cover				
No. 1	13583AA22A	m		37.28
No. 2	13583AA23A	m		37.28
No. 3	13583AA24A	m		51.88
11 Seal, Left Rear Cover	13586AA041	m		8.60
12 Cover, Valve	R 13264AA143	m	8	49.00
	L 13276AA220	m	8	49.00
13 Gasket, Valve Cover	R/L 13294AA053	m		13.95
14 Pan, Eng Oil	11109AA091	m	#2.0	107.53
<i>#w/Air Cleaner Assy Removed</i>				
15 Strainer, Oil	15050AA050	m		21.93
16 Dipstick, Eng Oil	11140AA140	m		12.27
17 Tube, Eng Dipstick	15144AA070	5		16.33
18 Pan, Trans Oil				
4 Speed	31390AA081	m	8	53.90
5 Speed	31390AA110	m	8	53.90

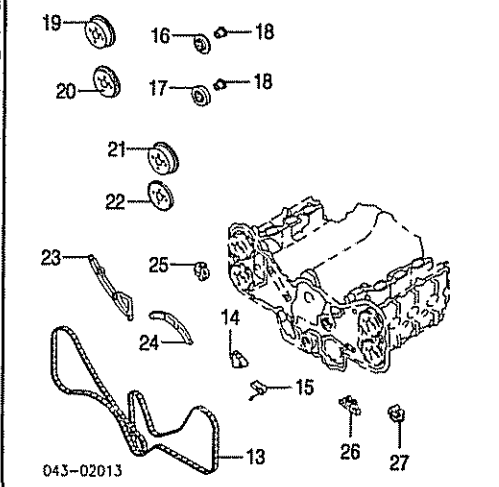


19 Belt, Timing	13028AA21B	m	#2.5	59.95
<i>#Includes R&R Crankshaft Pulley & Outer Timing Covers</i>				
20 Adjuster, Belt Tensioner	13033AA040	m	#2	123.45
21 Bracket, Tensioner	13156AA052	m		31.02
22 Seal, Front Bracket	13091AA060	m		4.92
23 Seal, Rear Bracket	13091AA050	m		2.07
24 Idler, Pulley				
No. 1	13073AA142	m	#1	83.28
No. 2	13073AA190	m	#1	40.87
No. 3	13085AA060	m	#1	59.38
25 Sprocket, #1 Camshaft	13017AA05D	m	#2	25.43
26 Sprocket, #2 Camshaft	13019AA10B	m	#2	31.32
<i>#w/Timing Belt Removed</i>				
27 Guide, Timing Belt	13145AA021	m		5.35

6 CYL



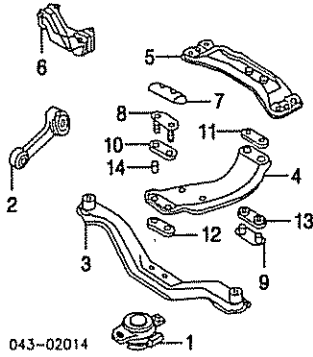
1 Pulley, Crankshaft	12305AA290	m	.6	112.95
2 Cover, Frt Outer Eng	13117AA010	m	#1.4	280.38
<i>#Includes R&R Crankshaft Pulley</i>				
3 Cap Assy, Oil Filler	15255AA100			9.02
4 Gasket, Oil Filler Cap	803942020			3.95
<i>Includes w/Oil Filler Cap Assy</i>				
5 Dipstick/Tube, Eng Oil	11140AA130		.5	12.27
6 Cover, Inr Eng	13119AA020	m		327.67
7 Cover, Valve	R 13265AA320	m	.8	134.58
	L 13278AA250	m	.8	134.58
8 Gskt, Oil Valve Cover	R 13270AA180	m		22.10
	L 13272AA180	m		22.10
9 Gskt, Inr Valve Cover (3/5 Side)	R/L 13293AA051	m		6.17
10 Pan, Engine Oil	11109AA122	m	#1.0	100.93
<i>#w/Engine Removed</i>				
11 Strainer, Oil	15050AA090	m		29.42
12 Pan, Trans Oil	31390AA110	m	.8	53.90



13 Belt, Timing	13143AA021	m	#3.4	59.95
<i>#R&R Complete</i>				
14 Tensioner, Timing				
No. 1	13142AA030	m		68.58
No. 2	13142AA020	m		68.58
15 Pulley, Idler				
No. 1	13146AA030	m		32.67
No. 2	13146AA020	m		40.87
16 Shaft, Idler Pulley (2)	13149AA001	m		16.33
17 Sprocket, Camshaft				
No. 1	13223AA080	m		154.22
No. 2	13020AA171	m		199.95
No. 3	13223AA090	m		154.22
No. 4	13024AA190	m		53.08
18 Guide, Timing Belt				
No. 1	13144AA090	m		44.12
No. 2	13141AA001	m		40.87
No. 3	13144AA021	m		24.52
No. 4 (2)	13141AA012	m		37.57
No. 5	13144AA031	m		24.52

ENGINE/TRANS MOUNTS

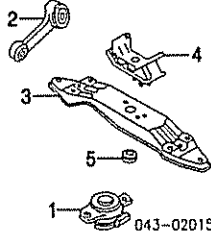
**4 CYL
MAN TRANS**



043-02014

1 Mount, Side Engine w/Turbo	R 41022AG17A L 41022AG01A	#9	87.72
w/o Turbo	R 41022AG17A L 41022AG00A	#9	69.98
#R&R Both Sides 1.6			
2 Rod, Stopper	41040AE02A	.5	14.95
3 Crossmember, Trans	Legacy 41011AE020 Outback 41011AG040	#1.0	90.77
4 Crossmember, Center	41011AE060	#1.0	65.33
5 Crossmember, Rear	4 Cyl 41011AE100 Outback 41011AG060	#1.0	62.08
	41011AG060	#1.0	49.00
	<i>Order by Application</i>		
6 Mount, Trans	41022AC180	#1.0	99.38
	#R&R Complete		
7 Damper, Dynamic	41023AC010		50.32
8 Plate, Front Xmbr	41025AC000		10.08
9 Plate, Rear Xmbr	41025AC040		8.55
10 Cushion, Frt Upper Xmbr	41022GA200		4.20
11 Cushion, Rear Upper Xmbr	41022AG080		4.90
12 Cushion, Front Lower Xmbr	41022FE090		4.90
	<i>Order by Application</i>		
13 Cushion, Rear Lower Xmbr	41022GA200		4.20
14 Spacer, Crossmember (2)	41037AC000		5.58

**4 CYL
AUTO TRANS**



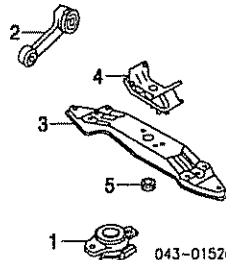
043-02015

1 Mount, Side Engine w/Turbo	R 41022AG17A L 41022AG01A	#9	87.72
w/o Turbo	R 41022AG17A L 41022AG00A	#9	69.98
#R&R Both Sides 1.6			
2 Rod, Stopper	41040AE02A	.5	14.95
3 Crossmember, Trans	Legacy w/Turbo 41011AG02A w/o Turbo 41011AG00A	#.8	37.68
Outback w/Turbo	41011AG03A	#.8	38.27
w/o Turbo	41011AG01A	#.8	35.22
4 Mount, Trans	4 Speed Auto Trans 41022AE12A 5 Speed Auto Trans 41022AG10A	#.8	26.22
		#.8	33.53
	#R&R Complete		
5 Cushion, Trans	41022FA050		4.90

6 CYL

Illustration Located in Next Column

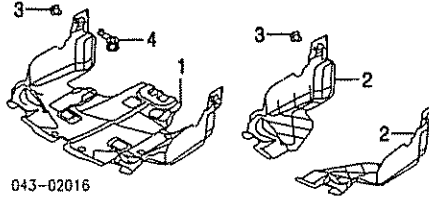
1 Mount, Side Engine	R 41022AG02A L 41022AG03A	#1.1	68.30
		#1.1	68.30
#R&R Both 2.0			
2 Rod, Stopper	41040AE02A	.6	14.95



043-01520

3 Crossmember, Trans	41011AG03A	#1.5	38.27
4 Mount, Trans	41022AG10A	#1.5	33.53
#R&R Complete			
5 Cushion, Trans	41022FA050		4.90

ENGINE UNDER COVER



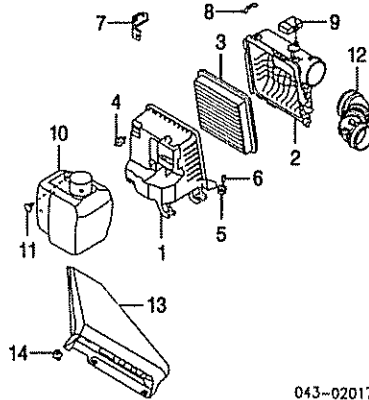
043-02016

3 Cover, Under			
1 1 Piece			
4 Cyl			
2.5 GT, 2.5 GT Limited Model	56410AG06A	.3	126.88
2.5i Limited Model	56410AG06A	.3	126.88
2.5 XT, 2.5 XT Limited Model	56410AG06A	.3	126.88
6 Cyl	56410AG08A	.3	136.73
2 2 Piece			
2.5i Model	R 56410AG09A L 56410AG10A	.2	52.50
	909140007		70
3 Clip, Under Cover (10)			
4 Spacer, Cover			
Outback	R 56422AG00A		.80

AIR CLEANER

W/TURBO

R&I Air Cleaner Assy		.4
----------------------	--	----

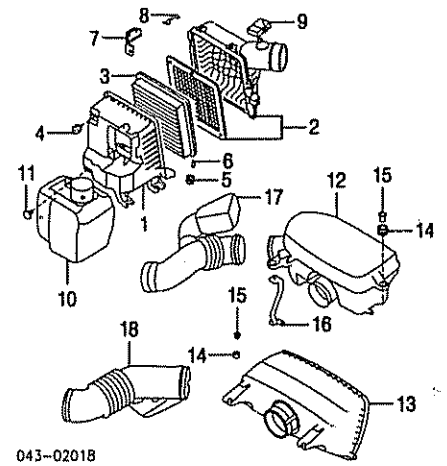


043-02017

1 Cover, Air Cleaner	46052AG05A	.2	41.97
2 Cover, Rear Air Cleaner	46052AG01A	.5	56.82
3 Element, Air Cleaner	16546AA10A	.3	18.63
Cushion, Cover			
4 No. 1	46022AE01A		5.47
5 No. 2 (2)	46022AG00A		2.88
6 Spacer, Cushion (2)	46083AG00A		17.93
7 Bracket, Air Cleaner	46032AG00A		7.65
8 Clamp, Cover (2)	46063AG00A		2.83
9 Meter, Air Flow	22680AA31A	m .3	169.95
10 Resonator	46043AG01A		42.47
11 Clip, Adjust	46064AG000		2.35
12 Boot, Air Intake			
Legacy	46013AG00A	.2	29.47
Outback	46013AG01A	.2	29.47
13 Duct, Air Intake	46012AG00A	.2	62.22
14 Clip, Duct (2)	909130051		.98

W/O TURBO

R&I Air Cleaner Assy		.4
----------------------	--	----

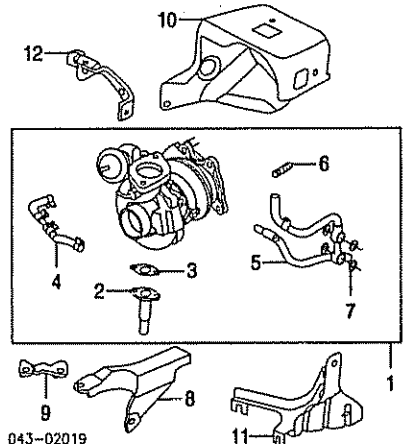


043-02018

1 Cover, Air Cleaner	46052AG05A	.2	41.97
2 Cover, Rear Air Cleaner			
4 Cyl	46052AG04A	.5	41.72
6 Cyl	46052AG00A	.5	41.72
3 Element, Air Cleaner	16546AA10A	.3	18.63
Cushion, Cover			
4 No. 1	46022AE01A		5.47
5 No. 2 (2)	46022AG00A		2.88
6 Spacer, Cushion (2)	46083AG00A		17.93
7 Bracket, Air Cleaner	46032AG00A		7.65
8 Clamp, Cover (2)	46063AG00A		2.83
9 Meter, Air Flow	22680AA31A	m .3	169.95
10 Resonator			
4 Cyl	46043AG00A	.2	42.47
6 Cyl	46043AG02A	.2	42.47
11 Clip, Adjust	46064AG000		2.35
Chamber, Air Intake			
12 4 Cyl	14435AA12A	.2	117.35
13 6 Cyl	14435AA17A	.3	123.00
14 Spacer, Cushion (2)	16578AA020		2.05
15 Cushion, Chamber (2)	16557AA020		3.08
16 Bracket, Chamber			
4 Cyl	16563AA230		5.72
Boot, Air Intake			
17 4 Cyl	14457AA45A	.2	57.52
18 6 Cyl	14457AA43A	.2	59.45

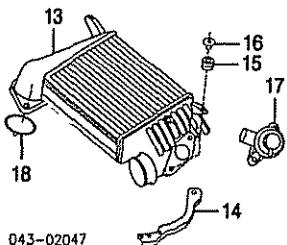
Order by Application

TURBOCHARGER/INTERCOOLER



043-02019

1 Turbocharger Assy	14411AA51A	m 2.2	667.34
2 Outlet, Turbo	15197AA070	m .8	28.55
#Included in R&R Turbocharger			
3 Gasket, Outlet	15196AA000	m	74
4 Hose, Turbo	14447AA12A	m .8	36.50
5 Pipe, Turbo	14430AA18A	m .6	90.55
#R&R Both 1.0			
6 Stud, Mounting (3)	800910340		8.58
7 Gasket, Tube (4)	803912040		1.44
#Included w/Turbocharger Assy			
Bracket, Turbocharger			
8 No. 1	14421AA021		42.05
9 No. 2	14427AA022		9.80
10 Cover, Turbo Upper	44031AG030		40.03
11 Cover, Turbo Lower	44031AG040		51.47
12 Bracket, Turbo Cover	44021AA012		15.68



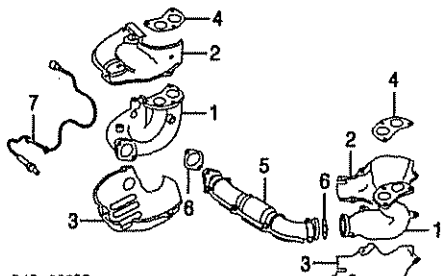
043-02047

13 Intercooler	21821AA020	m	1.0	389.82
14 Stay, Intercooler	21885AA260			17.15
15 Cushion, Stopper	45688AA000			2.30
16 Spacer, Cushion	45659AA000			2.13
17 Valve, Air By-Pass	14471AA130	m	.7	86.57
18 Gasket, Air Intake	14497AA010	m		6.55

EXHAUST

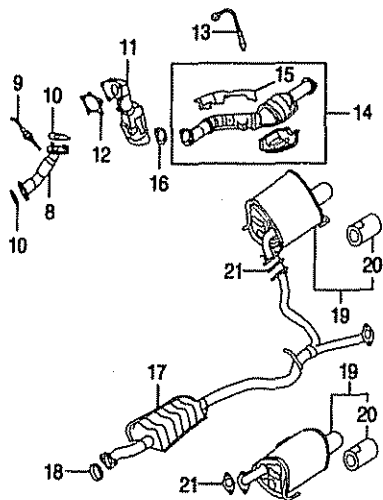
**4 CYL
W/TURBO**

R&R Exhaust System Complete #2.3
#Does Not Include R&R Exhaust Manifolds or Heat Shields



043-02020

1 Manifold, Exhaust	R 14010AA102 L 14023AA020	m	1.0	323.13 313.68
2 Cover, Upper Manifold	R 14086AA072 L 14090AA000	m	.8	68.27 87.95
3 Cover, Lower Manifold	R 14086AA072 L 14091AA000	m	.8	68.27 112.95
4 Gasket, Manifold	R/L 14038AA000	m		14.63
5 Pipe, Joint	44101FE070		.8	331.70
6 Gasket, Pipe	44011FA020 No. 1 44022AA160 No. 2			8.63 18.73
7 Sensor, Front Oxygen	22641AA32A	m	.5	129.95



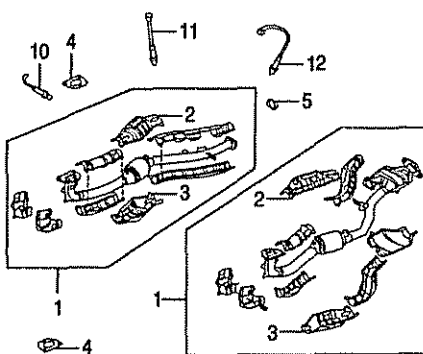
043-02021

8 Pipe, Front	44104FE080		.8	332.27
9 Sensor, Center Oxygen	22629AA012	m	.5	58.88
10 Gasket, Front Pipe	Outer 44022AA170 Inner 44022AA150			13.08 13.08
11 Converter/Pipe, Catalytic	Man Trans 44102AG030 Auto Trans 44102AG040	m	#2.3	649.50 649.50
	#Includes R&R Turbocharger			
12 Gasket, Converter	44022AA180			19.95
13 Sensor, Rear Oxygen	Man Trans 22690AA69A Auto Trans 22690AA70A	m	.6	119.95 119.95
14 Pipe Assy, Center				

Man Trans	44101AG070		.8	493.99
Auto Trans	44101AG080		.8	493.99
15 Cover, Pipe Upper	Man Trans 44132AG150 Auto Trans 44132AG170			57.20 57.20
	#Included w/Center Pipe Assy			
16 Gasket, Center Pipe	44011AG000			13.08
17 Pipe, Rear Exhaust	Legacy 44201AG01A Outback 44201AG03A 44022AA122		.5	324.55 325.33 32.58
18 Gasket, Rear Pipe				
19 Muffler Assy	Sedan R 44300AG25A L 44300AG24A		#.6	239.95 239.95
	Wagon Legacy R 44300AG27A L 44300AG26A		#.6	239.95 239.95
	Outback R 44300AG48A L 44300AG48A		#.6	199.95 199.95
	#R&R Both 9			
20 Finisher, Pipe (a)	Sedan R/L 44371AG190 Wagon R/L 44371AG200		.2	56.98 56.20
	(a) Included w/Muffler Assy			
21 Gasket, Muffler	R/L 44011AE01A			2.75

**4 CYL
W/O TURBO
W/CALIF EMISSION**

R&R Exhaust System Complete #1.8
#Does Not Include R&R Exhaust Manifolds or Heat Shields

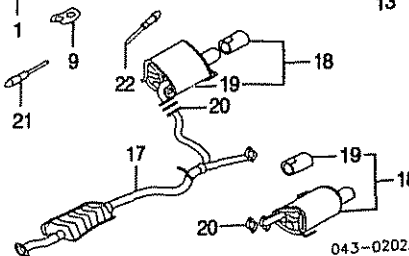
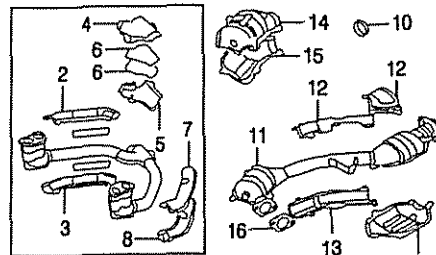


043-02022

1 Pipe Assy, Front Exhaust	Man Trans R 44101AG18A L 44101AG20A Auto Trans R 44101AG17A L 44101AG20A		#.8	566.04 437.86 567.14 437.86
	#R&R Both 1.2			
2 Cover, Converter Upper (a) (b)	R 44131AG95A L 44131AG97A			58.52 58.52
3 Cover, Converter Lower (a) (b)	R 44131AG96A L 44131AG98A			57.90 57.90
	(a) Included w/Front Exhaust Pipe Assy (b) Order by Application			
Gasket, Front Pipe	44011AE050 R/L 44011AE030			8.18 10.78
4 Front				
5 Rear				
6 Pipe, Rear Exhaust	Legacy 44200AG08A Outback 44200AG07A		.8	284.80 298.35
7 Muffler Assy	Sedan R 44300AG29A L 44300AG28A		#.6	239.95 239.95
	Wagon Legacy R 44300AG31A L 44300AG30A		#.6	239.95 239.95
	Outback R 44300AG33A L 44300AG32A		#.6	199.95 199.95
	#R&R Both 9 (c) Included w/Muffler Assy			
8 Finisher, Pipe (c)	R/L 44371AG190		.2	56.98
9 Gasket, Muffler	R/L 44011AE01A			2.75
10 Sensor, Front Oxygen	R/L 22641AA33A	m	.5	149.95
11 Sensor, Center Oxygen	22690AA45C	m	.6	119.95
12 Sensor, Rear Oxygen	22690AA56A	m	.6	119.95

**4 CYL
W/O TURBO
W/O CALIF EMISSION**

R&R Exhaust System Complete #1.8
#Does Not Include R&R Exhaust Manifolds or Heat Shields



043-02023

1 Pipe Assy, Front Exhaust	44619AA00A		.6	331.30
2 Cover, Front Pipe	44132AC510			24.32
3 Front Lower	44132AC520			26.28
4 Cover, Elbow	44132AC551			14.90
5 Upper	44132AC561			13.87
6 Lower	44155AC120			3.20
7 Insulator, Cover (2)	44132AC530			21.52
8 Cover, Lower Pipe	Upper 44132AC540 Lower			19.17
	#Included w/Front Exhaust Pipe Assy			
Gasket, Front Pipe (a)	44011AC030 R/L 44011AE030			6.95 10.78
9 Front				
10 Rear				
	(a) Order by Application			
11 Converter/Pipe, Catalytic	44659AA00A		.8	363.36
12 Cover, Upper Pipe (a)	No. 1 44131AG95A No. 2 44131AG97A			58.52 58.52
13 Cover, Lower Pipe (a)	No. 1 44131AE190 No. 2 44131AG96A			21.95 57.90
14 Cover, Converter Upper (a)	44131AE120			15.77
15 Cover, Converter Lower (a)	44131AE170			15.77
	(a) Order by Application			
16 Gasket, Converter	44165FA000			7.25
17 Pipe, Rear Exhaust	Legacy 44200AG08A Outback 44200AG07A		.7	284.80 298.35
18 Muffler Assy	Sedan R 44300AG29A L 44300AG28A		#.6	239.95 239.95
	Wagon Legacy R 44300AG31A L 44300AG30A		#.6	239.95 239.95
	Outback R 44300AG33A L 44300AG32A		#.6	199.95 199.95
	#R&R Both 1.0			
19 Finisher, Pipe (b)	Sedan R/L 44371AG190 Wagon R/L 44371AG200		.2	56.98 56.20
	(b) Included w/Muffler Assy			
20 Gasket, Muffler	R/L 44011AE01A	m	.5	2.75
21 Sensor, Front Oxygen (a)	22641AA15A	m	.5	129.95
22 Sensor, Rear Oxygen (a)	22690AA45C	m	.5	119.95
	(a) Order by Application			

6 CYL

R&R Exhaust System Complete #1.8
#Does Not Include R&R Exhaust Manifolds or Heat Shields

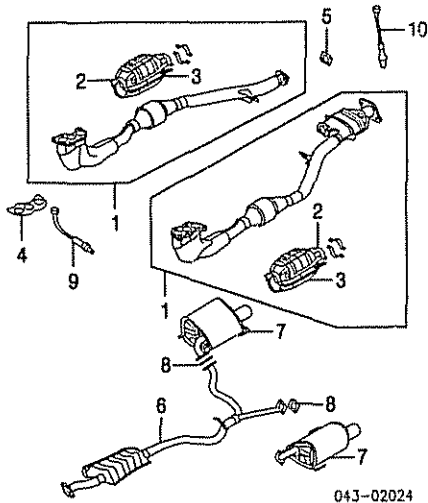
Illustration Located in Next Column

1 Pipe/Converter Assy, Front	R 44105AG38A L 44105AG37A		.7	487.79 483.00
2 Cover, Upper Converter	R 44131AG920 L 44131AG910			57.20 57.20
3 Cover, Lower Converter	R 44132AG130 L 44131AG930			68.27 57.20
	#Included w/Front Pipe/Converter Assy			
Gasket, Front Pipe	R/L 44011AG040			22.88
4 Front	44011AE030			10.78
5 Rear	44200AG11A		.8	352.18
6 Pipe, Rear Exhaust				
7 Muffler	Sedan R 44300AG57A L 44300AG56A		#.6	199.95 199.95
	Wagon R 44300AG35A L 44300AG34A		#.6	199.95 199.95
	#R&R Both 1.0			

SUBARU LEGACY/OUTBACK 2005

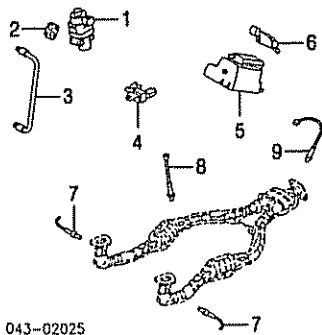
EXHAUST Cont'd

6 CYL Cont'd



8 Gasket, Muffler	R/L 44011AE01A	m	.5	2.75
9 Sensor, Front Oxygen	R/L 22641AA25A	m	.5	129.95
10 Sensor, Rear Oxygen	R/L 22690AA68A	m	.5	119.95

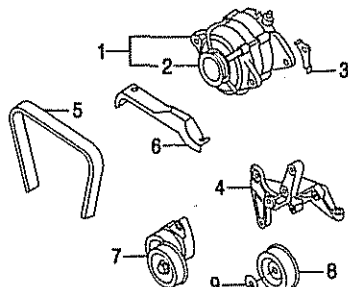
EMISSION SYSTEM



1 Valve, EGR	14710AA690	m	#.6	133.20
2 Gasket, Valve	14719AA040	m	#.6	5.88
3 Pipe, EGR	N.A.	m	#.6	0.00
#R&R Complete				
4 Valve, Solenoid				
4 Cyl	16102AA340	m	.3	37.57
w/o Turbo	16102AA400	m	.3	40.87
6 Cyl	16102AA420	m	.3	37.57
Sensor, Vacuum				
4 Cyl	22012AA160	m	.5	290.98
6 Cyl	22012AA150	m	.5	290.38
5 Canister, Vapor	42035AG03A	m	.5	245.85
6 Protector, Canister	42045AG100	m		19.58
7 Sensor, Front Oxygen-See Exhaust Section				
8 Sensor, Center Oxygen-See Exhaust Section				
9 Sensor, Rear Oxygen-See Exhaust Section				

ELECTRICAL

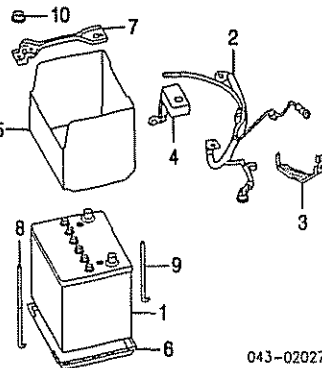
ALTERNATOR



1 Alternator Assy

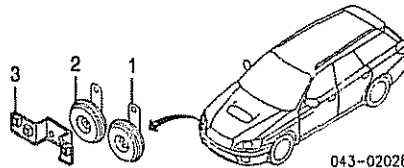
4 Cyl	w/Turbo	23700AA520	m	.6	499.99
	w/o Turbo	23700AA55A	m	.6	329.95
6 Cyl		23700AA401	m	.6	469.95
2 Pulley, Alternator					
4 Cyl		23752AA070	m	.8	76.48
6 Cyl		23752AA100	m	.8	63.70
<i>#Included w/Alternator Assy</i>					
3 Plate, Alternator		11717AA050			3.99
4 Bracket, Pump/Alternator-See Steering Pump Section					
5 Belt, Drive					
4 Cyl		809218540		.6	17.95
6 Cyl		809221080		.6	32.95
6 Cover, Belt					
4 Cyl		14094AA120			16.33
6 Cyl		14094AA110			13.08
7 Tensioner, Belt					
6 Cyl		23769AA002		.8	91.47
8 Pulley, Idler (2)					
6 Cyl		23770AA020			40.87
9 Cover, Idler Pulley					
6 Cyl (2)		23772AA000			1.98

BATTERY



1 Battery	N.A.		2	0.00	
2 Cable, Battery	81608GA110		5	12.13	
3 Bracket, Cable	81041AG00A			52.05	
4 Cover, Terminal	81611AG000			3.92	
5 Cover, Battery	82122AG10A			19.05	
6 Tray, Battery	82122AG10A	#1.0		23.00	
<i>#Includes R&R Battery</i>					
7 Holder, Battery	82182AG10A			11.52	
Bolt, Battery					
8 Front	82161AG10A			1.34	
9 Rear	82161AG11A			1.24	
10 Nut, Bolt (2)	02180B000			.34	

HORN

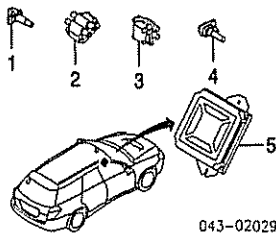


1 Horn, High Note	86012AG11A	#.5		12.02
2 Horn, Low Note	86012AG10A	#.5		12.02
3 Bracket, Horn	86041AG10A	#.5		4.15
<i>#R&R Complete</i>				

IGNITION

R&R Ignition Coils Complete

4 Cyl		m	.6	
6 Cyl		m	.8	

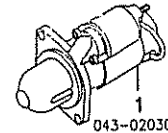


Coil, Ignition

1 w/Turbo (4)	22433AA540	m	.3	99.98
w/o Turbo				
2 w/Calif Emission	22433AA41B	m	.5	126.27
w/o Calif Emission	22433AA50A	m	.5	111.62
4 6 Cyl (6)	22433AA441	m	.3	99.98
5 Control Unit, Engine				

Legacy	22611AJ48B	m	7	528.09
Outback	22611AH93B	m	7	528.09
<i>#Order by Application</i>				

STARTER

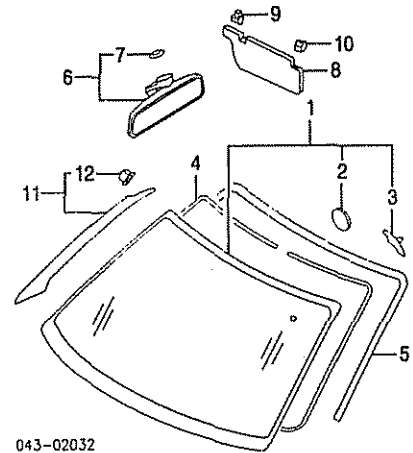


1 Starter				
Man Trans	23300AA48A	m	1.0	249.95
Auto Trans	23300AA49A	m	1.0	249.95

WINDSHIELD

Use Procedure Explanation 13 with the following text

R&I Windshield #2.4
#Includes Clean Up Old Adhesive as Necessary

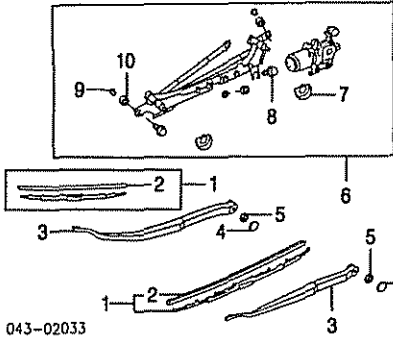


1 Glass Assy, Windshield				
Subaru				
4 Cyl				
2.5 GT, 2.5 GT Limited Model	65009AG06A		#2.0	349.95
2.5i Model				
Legacy	65009AG03A		#2.0	299.95
Outback	65009AG04A		#2.0	349.95
2.5i Limited Model	65009AG04A		#2.0	349.95
2.5 XT, 2.5 XT Limited Model	65009AG06A		#2.0	349.95
6 Cyl	65009AG08A		#2.0	349.95
NAGS				
Heated				
Green Tint	FW02489GTN		#2.0	0.00
Green Tint/Green Shade	FW02489GGN		#2.0	0.00
Non-Heated	FW02489GTT		#2.0	0.00
<i>#Includes Clean Up Old Adhesive as Necessary</i>				
2 Base, Rear View Mirror	92022AG01A			12.58
3 Pin, Glass Locator	R 65035AG00A			2.18
	L 65035AG01A			2.18
<i>#Included w/Windshield Glass Assy</i>				
Adhesive, Windshield	N.A.			0.00
4 Dam, Windshield	65045AG00A			17.20
5 Moulding, Reveal	65058AG00A		4	33.00
6 Mirror Assy, Rear View	92021AG01A		.2	29.95
7 Base, Mirror (e)	92022AG01A			12.58
<i>(a) Included w/Rear View Mirror Assy</i>				
8 Visor, Sun				
Right	92011AG51A0R		.2	0.00
Left				
Legacy	92011AG50A0R		.2	0.00
Outback				
2.5i, 2.5i Limited Model	92011AG50A0R		.2	0.00
2.5 XT, 2.5 XT Limited Model	92011AG50A0R		.2	0.00
3.0R Model	92011AG50A0R		.2	0.00
3.0R Limited Model	92011AG52A0R		.2	0.00
L.L. Bean Model	92011AG50A0R		.2	0.00
9 Hook, Sun Visor	R/L 92018AG01A0R			0.00
10 Cap, Sun Visor	R/L 97073AG00A0R			0.00
11 Garnish Assy, Pillar	R 94010AG06A0R		.2	0.00
	L 94010AG07A0R		.2	0.00
12 Clip, Garnish (b) (4/Side)	R/L 909130096			98
<i>(b) Include d w/Pillar Garnish Assy</i>				

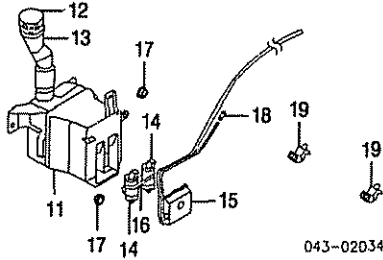
WIPER SYSTEM

Illustration Located in Next Column

1 Blade Assy, Wiper	R 86542AG03A		.2	14.95
	L 86542AG02A		.2	19.95
2 Insert, Wiper	R 86548AG03A		.1	d11 52



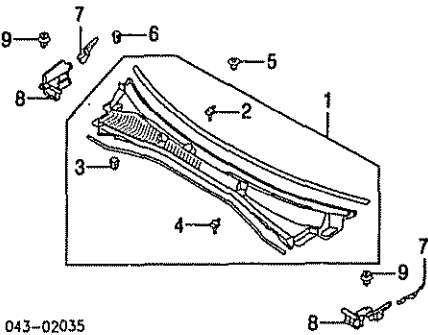
3 Arm, Wiper	L SOA591U324R	1	4.95
<i>#Included w/Wiper Blade Assy</i>			
	R 86532AG03A	#.2	39.95
	L 86532AG02A	#.2	39.95
<i>#Includes R&R Wiper Blade Assy or Insert</i>			
4 Cover, Wiper Arm	R/L 86538AG04A	4.48	
5 Nut, Wiper Arm	R/L 022810000	16	
6 Motor & Link Assy	R/L 86510AG02A	.8	149.95
7 Cover, Shaft (a)	R/L 86538FE000	2.47	
8 Bolt & Washer (a) (3)	901250062	.88	
9 Collar (a) (2)	86526AE000	2.47	
10 Cushion, Link (a) (2)	86548AE010	3.25	
<i>(a) Included w/Motor & Link Assy</i>			



11 Tank, Washer	86631AG05A	#.7	41.15
Sedan	86631AG04A	#.7	41.63
Wagon	86615AG00A	13.78	
12 Cap, Tank	86656AG00A	4.85	
13 Support, Cap			
14 Motor & Pump (b)	86611AG01A	#.7	21.07
Front	86611AG00A	#.7	21.07
Rear			
<i>(b) Order by Application</i>			
<i>#R&R Complete</i>			
15 Cover, Pump	86616AG03A	9.92	
Sedan	86616AG02A	9.92	
Wagon			
16 Holder, Motor	86656AG20A	4.85	
Sedan	86656AG10A	9.67	
Wagon	86623AG00A	7.98	
17 Gasket, Motor (2)	86638AG030	5.80	
18 Joint, Washer	R/L 86636AG10B	#.2	15.27
19 Nozzle, Washer			
<i>#Included in R&R Hood</i>			

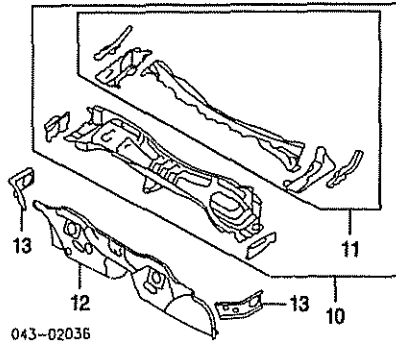
COWL & DASH

Use Procedure Explanations 14 and 28 with the following text.

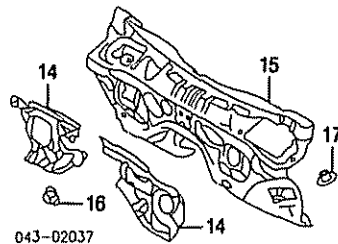


1 Grille Assy, Cowl Top	91411AG02A	#.4	70.48
<i>#Includes R&R Wiper Arms</i>			
2 Clip, Cowl Grille	R/L 91167AA110	70	
No. 2	R/L 909130134	3.58	
3 No. 3 (3)	909140011	98	
<i>#Included w/Cowl Top Grille Assy</i>			
5 Clip, Upper Grille	R/L 91167AA800	1.12	

6 No. 2	R/L 909130100	24	
7 Panel, Cowl Side	R 91423AG02A	3.50	
L 91423AG03A	3.50		
8 Cover, Side Panel	R 91461AG02A	3.70	
L 91461AG03A	3.70		
9 Rivet, Push (3/5) Side	R/L 909130013	70	



10 Panel Assy, Cowl Top	51121AG01A9P	#6.5	328.30
11 Panel, Cowl Top (a)	5310AG00A9P	#4.5	202.67
<i>(a) Included w/Cowl Top Panel Assy</i>			
<i>#w/Necessary Bolted Parts & Assemblies Removed</i>			
12 Panel, Dash	52210AG07A9P	214.32	
13 Gusset, Dash Panel	R 52221AG06A9P	46.95	
L 52221AG07A9P	44.82		



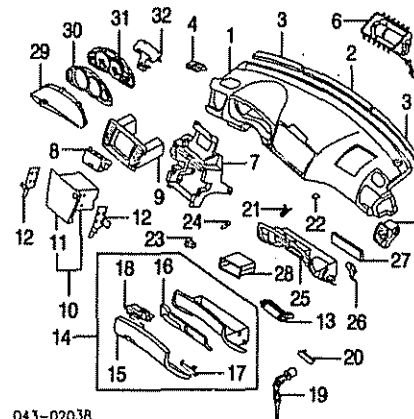
14 Insulator, Outer Dash	R 90815AG21A	32.80	
L 90815AG13A	33.25		
15 Insulator, Inner Dash	90815AG10B	133.48	
16 Clip, Outer (5)	90810PA000	1.93	
17 Clip, Inner (10)	909205054	.60	

INSTRUMENT PANEL

Use Procedure Explanation 14 with the following text.

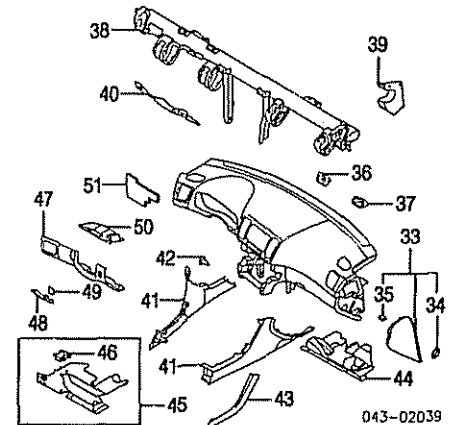
R&I Instrument Panel	m	3.2
----------------------	---	-----

NOTE: All Parts in this section are included in R&R Instrument Panel unless noted otherwise.



1 Panel, Instrument	66040AG02A	m	5.4	338.17
2.5 GT, 2.5 GT Limited Model	66040AG03A	m	5.4	338.17
2.5i Model	66040AG02A	m	5.4	338.17
2.5i Limited Model	66040AG02A	m	5.4	338.17
2.5 XT, 2.5 XT Limited Model	66040AG02A	m	5.4	338.17
3.0R, 3.0R Limited Model	66040AG02A	m	5.4	338.17
L.L. Bean Model	66040AG02A	m	5.4	338.17
Sensor, Sun	73730AG01A	.3	18.40	
2 Cushion, Inst Panel Ctr	66228AG01A	.3	32.42	
3 Cushion, Inst Panel Otr	R/L 66228AG00A	.3	18.40	
4 Grille, Defroster Uptr	R 66115AG00A	11.57		
L 66115AG01A	11.57			
5 Grille, Defroster Side	R 66110AG01A	.2	52.83	
L 66110AG00A	.2	52.83		
6 Module, Passenger Air Bag-See Air Bag System Section	66060AG05A	5	82.30	
7 Panel, Center Trim				

8 Pocket, Center	66120AG03A	102.33		
9 Frame, Radio	66204AG01A	.4	37.85	
10 Radio Assy				
2.5 GT, 2.5 GT Limited Model	86201AG61A	.6	642.01	
2.5i Model	86201AG62A	.6	499.54	
2.5i Limited Model	86201AG61A	.6	642.01	
2.5 XT, 2.5 XT Limited Model	86201AG61A	.6	642.01	
3.0R, L.L. Bean Model	86201AG61A	.6	642.01	
3.0R Limited Model	86201AG63A	.6	692.43	
11 Panel, Radio (a)				
2.5 GT, 2.5 GT Limited Model	86213AG61A	457.17		
2.5i Model	86213AG62A	387.08		
2.5i Limited Model	86213AG61A	457.17		
2.5 XT, 2.5 XT Limited Model	86213AG61A	457.17		
3.0R, L.L. Bean Model	86213AG61A	457.17		
3.0R Limited Model	86213AG63A	457.17		
<i>(a) Included w/Radio Assy</i>				
12 Bracket, Radio	R 66201AG00A	12.02		
L 66201AG01A	12.02			
85201AG020	.3	158.03		
<i>(b) Order by Application</i>				
14 Box Assy, Glove				
Black	66120AG04AJC	.4	103.57	
Ivory	66120AG04AWA	.4	103.57	
15 Lid, Glove Box (d)				
Black	66126AG02AJC	2	57.28	
Ivory	66126AG02AWA	2	57.28	
16 Reinforcement, Lid (d)	66203AG05A	35.10		
17 Damper, Glove Box (d)	66253AG00A	22.63		
18 Lock, Glove Box (d)				
Black	66140AG020JC	.1	28.60	
Ivory	66140AG020WA	.1	28.60	
<i>(d) Included w/Glove Box Assy</i>				
19 Cylinder, Glove Box Lock	57494AE08A	29.95		
<i>#Included w/Complete Lock Set-Installed in Steering Wheel/Column Section</i>				
20 Cover, Cylinder Lock				
Black	66242AG000JC	1.98		
Ivory	66242AG000WA	1.98		
21 Striker, Glove Box	66232AG01A	.1	12.10	
22 Cushion, Glove Box	66226AG05A	11.07		
23 Stopper, Glove Box	R/L 66221AG00A	4.45		
24 Lamp, Glove Box	66237AG01A	9.83		
25 Housing, Glove Box	66208AG02A	5	36.58	
26 Bracket, Housing	66201AG05A	15.55		
27 Insulator, Glove Box	66222AG30A	20.42		
28 Pocket, Deck	66128AG02A	20.25		
29 Lens, Meter				
4 Cyl				
2.5 GT, 2.5 GT Limited Model	85075AG010	.6	86.62	
2.5i, 2.5i Limited Model	85075AG000	.6	51.77	
2.5 XT, 2.5 XT Limited Model	85075AG010	.6	86.62	
6 Cyl	85075AG000	.6	51.77	
30 Plate, Meter (b)				
Legacy	85070AG22A	m	#.8	63.37
Outback	85070AG38A	m	#.8	63.37
31 Meter (b)				
Legacy	85021AG53A	m	#.8	362.03
Outback	85021AG50A	m	#.8	345.68
<i>(b) Order by Application</i>				
<i>#R&R Complete</i>				
32 Bracket, Meter	66203AG00A	16.17		

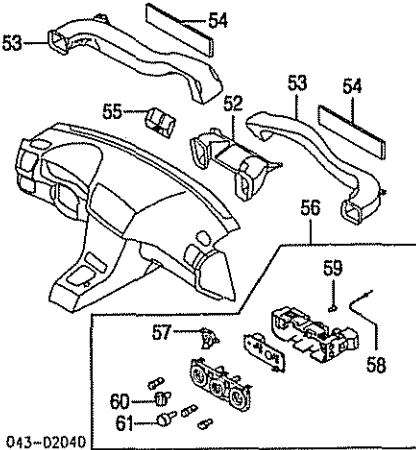


33 Cover Assy, Side Instrument Panel	R 66073AG04A	.1	32.30
L 66073AG05A	.1	32.30	
34 Label, Side Air Bag (f)	R 98281AG02A	3.87	
35 Clip, Cover (f) (g)	R/L 909130092	.98	
<i>(f) Included w/Side Instrument Panel Cover Assy</i>			
<i>(g) As Required</i>			
Grommet, Inst Panel			
36 No. 1	66151FA000	53.65	
37 No. 2 (2)	66282AE000	2.63	
38 Beam, Steering	50801AG02A9P	#.6	246.88
<i>#w/Instrument Panel Removed, Not Included in R&R Instrument Panel</i>			
39 Bracket, Steering Beam	R 50853AG02A	45.72	
L 50853AG03A	45.88		
40 Panel, Knee Guard	50814AG00A	68.83	
41 Panel, Lower Center			
Black	R 66073AG08AJC	2	66.20
L 66073AG10AJC	2	59.33	
Ivory	R 66073AG08AJA	2	66.20
L 66073AG10AJA	2	59.33	
R/L 909130131	3.53		

SUBARU LEGACY/OUTBACK 2005

INSTRUMENT PANEL Cont'd

43 Ornament, Panel Standard	R 66077AG08A L 66077AG09A	65.88 66.08	
Wood	R 66077AG14A L 66077AG15A	124.83 137.05	
44 Cover, Under Passenger Side	66066AG02A	2	42.13
45 Cover Assy, Under Driver Side	66066AG03A 81910AG02A	2	42.83 6.70
46 Holder, Cover (h) (h) Included w/Under Cover Assy			
47 Cover, Lower Driver Side			
Black	66075AG01AJC	3	61.72
Ivory	66075AG01AWA	3	61.72
48 Lid, Fuse			
Black	66135AG03AJC	18.97	
Ivory	66135AG03AWA	18.97	
49 Label, Fuse-See Information Labels Section			
50 Duct, Foot Driver Side	66100AG09A	36.28	
51 Insulator, Cover	66222AG17A	24.40	



043-02040

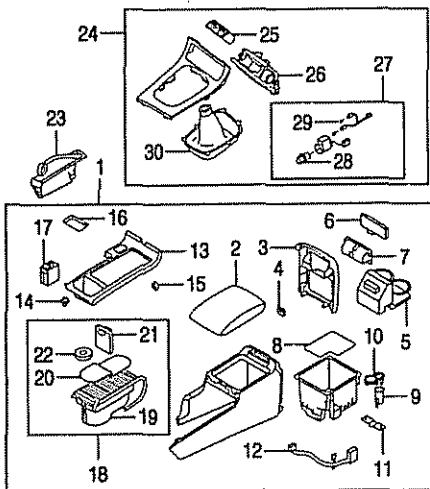
52 Duct, Center	66100AG05A	#.4	28.52
53 Duct, Side Vent	R 66100AG02A L 66100AG03A	#.4 #.4	36.13 36.00
#Each Additional 2, w/Instrument Panel Removed			
54 Insulator, Vent	R/L 66222AG31A		25.27
55 Guide, Center	66252AG01A		13.20
56 Control Assy, Heater	72311AG04A	m .5	303.30
57 Switch, Fan (1)	72340AG000	m .3	25.13
58 Cable, Temp (1)	72331AG020		12.58
59 Lamp (1) (2)	72351AG000		15.88
60 Knob, Fan (1)	72363AG080		9.72
61 Knob, Mode (1) (2) (1) Included w/Heater Control Assy	72363AG070		6.67

CENTER CONSOLE

Use Procedure Explanation 14 with the following text.

R&L Center Console Assy	6
-------------------------	---

NOTE: All Parts in this section are Included in R&R Console Assy unless noted otherwise.



043-02041

1 Box Assy, Console (1) Black	92111AG03AJC	.8	326.23
-------------------------------	--------------	----	--------

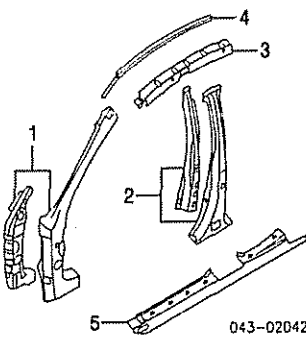
Ivory	92111AG03AWA	.8	326.23
#Order by Application			
2 Lid, Console Box (a) Black	92114AG00AJC	2	59.75
Ivory	92114AG00AWA	2	59.75
3 Box, Console Rear (a) Black	92113AG02AJC	.3	28.32
Ivory	92113AG02AWA	.3	28.32
4 Nut, Spring (a)	902510009		.82
5 Holder, Front Cup (a) Black	66150AG01AJC		40.57
Ivory	66150AG01AWA		40.57
6 Cap, Ashtray (a) Black	92183AG00AJC		10.98
Ivory	92183AG00AWA		10.98
7 Bracket, Ashtray (a)	92118AG00A		12.72
8 Mat, Console Box (a)	92177AG00A		10.87
9 Socket, Cigarette Lighter (a)	86711FA060		19.50
10 Cap, Socket (a)	86712FA010		7.87
11 Bracket, Console Box (a)	92178AG05A		11.32
12 Harness, Console (1) (a)	81670AG06A	m	62.78
#Order by Application			
13 Cover, Console (a) Black	92132AG01AJC	.3	57.07
Ivory	92132AG01AWA	.3	57.07
14 Clip, Front Cover (a) (2)	66282FE010		3.42
15 Clip, Rear Cover (a) (2)	909130092		.98
16 Tray, Console Box (a)	92173AG00AJC		11.40
17 Switch, Seat Heater (a) Black	83245AG06AJC	m .3	131.30
Ivory	83245AG06AWA	m .3	131.30
18 Holder Assy, Cup (a) Black	66150AG02AJC	.2	65.18
Ivory	66150AG02AWA	.2	65.18
19 Holder, Cup (a) (b) Black	66155AG09AJC		55.97
Ivory	66155AG09AWA		55.97
20 Mat, Cup Holder (a) (b)	92177AG06A		11.77
21 Holder, Cup Inner (a) (b)	66155AG02A		19.30
22 Mat, Insert (a) (b) (a) Included w/Console Box Assy (b) Included w/Cup Holder Assy	92177AG07A		18.52
23 Boot, Hand Brake Black	92123AG01AJC		100.15
Ivory	92123AG01AWA		100.15
24 Cover Assy, Front Console Man Trans	92121AG03A	.3	212.58
Auto Trans	92121AG01A	.3	130.45
25 Lid, Ashtray (c)	92114AG03A		55.92
26 Tray, Ash (c)	92172AG03A		17.28
27 Lighter Assy, Cigarette (c)	86710AG000		45.75
28 Element, Lighter (c) (d)	86713AE000		7.52
29 Bulb, Lighter (c) (d) Clear	86726AG010		2.83
Red	86726AG000		2.83
(d) Included w/Cigarette Lighter Assy			
30 Boot, Shift Lever (c) Man Trans	92123AG03A		89.55
(c) Included w/Front Console Cover Assy			

ROCKER/PILLARS/FLOOR

Use Procedure Explanations 14, 15 and 28 with the following text.

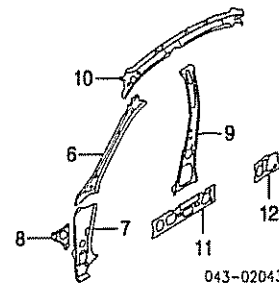
SHEET METAL

Refinish Outer Hinge Pillar	R/L	1.0
Refinish Center Pillar	R/L	1.0
Refinish Outer Rocker Panel	R/L	1.5



043-02042

1 Pillar, Outer Hinge	R 51420AG02A9P L 51420AG03A9P	s 9.2	175.08
2 Pillar, Outer Center	R 51430AG12A9P L 51430AG13A9P	s 5.0	229.28
3 Rail, Outer Side-See Roof Section			
4 Rail, Drip-See Roof Section			
5 Panel, Outer Rocker	R 51415AG02A9P L 51415AG03A9P	s #8.0	171.33
#w/Quarter Panel Removed Deduct 1.9			
<i>Illustration Located in Next Column</i>			
6 Pillar, Inr Upr Hinge	R 51520AG02A9P L 51520AG03A9P	s 1.0	92.27

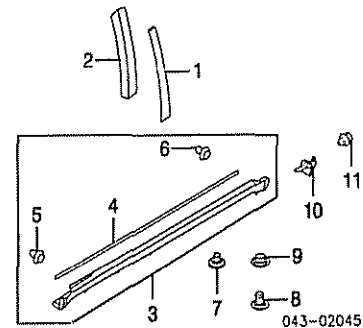


043-02043

7 Pillar, Inr Lwr Hinge	R 51151AG08A9P L 51151AG09A9P	s 1.0	60.48
8 Panel, Cowl Side	R 51152AG00A9P L 51152AG01A9P	s 1.0	21.27
9 Pillar, Inner Center	R 51530AG02A9P L 51530AG03A9P	s 1.0	140.55
10 Rail, Inner Roof Side-See Roof Section			
11 Reinf, Front Rocker	R 51572AG22A9P L 51572AG23A9P	s 1.5	39.62
12 Reinf, Rear Rocker-See Quarter Panel Section			
13 Panel, Inner Rocker	R 51159AG02A9P L 51159AG03A9P	s 2.0	112.62
14 Pan, Front Floor	L 5120AG04A9P	s 2.0	112.62
15 Frame, Front Floor	R/L 52150AG04A9P		138.57
16 Frame, Rear Floor	R/L 52150AG16A9P		70.12
17 Crossmember, Floor	L 52140AG28A9P L 52140AG52A9P		82.70 73.28 72.70
18 Bracket, Side Front Seat	L 52140AG37A9P L 52140AG38A9P		65.92 66.45
19 Reinf, Upr Dash Panel	R 52143AG35A9P L 52143AG36A9P		61.02 61.02
20 Reinf, Hand Brake	L 52153AG38A9P		32.50
21 Bracket, Instrument Panel	52153AG30A9P		33.17
22 Crossmember, Floor Center	52140AG56A9P		91.67
23 Reinf, Tunnel	52140AG13A9P		91.03

EXTERIOR TRIM

Refinish Rocker Moulding Assy	R/L	1.0
R&L Rocker Moulding Assy	R/L	.4



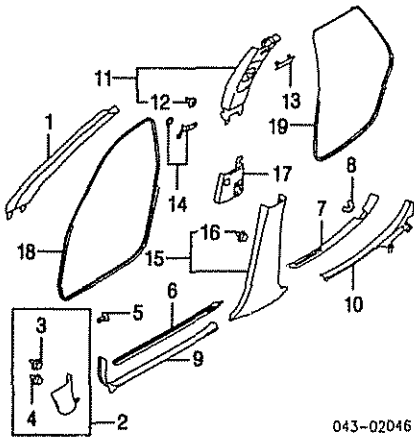
043-02045

1 Moulding, Center Pillar	R 63563AG00A L 63563AG01A	2	22.18
2 Retainer, Moulding	R 63542AG000 L 63542AG010	2	22.88
3 Moulding Assy, Rocker Gray	R 91112AG32ALY L 91112AG33ALY	.4	161.63
Green	R 91112AG32AFY L 91112AG33AFY	.4	166.05
Monotone	R 91112AG34A L 91112AG35A	.4	98.95
Paint to Match	R 91112AG32ANN L 91112AG33ANN	.4	105.93
4 Tape, Side Sill Clip, Moulding (1) No. 1 (4/Side)	R/L 909130007		.60
No. 2	R/L 91111AG34A		3.87

(Included w/Flacker Moulding Assy)

Clip, Moulding Lower (a)			
7 No. 1 (5/5Side)	R/L 909140002		1.30
8 No. 2	R/L 909130116		1.98
9 No. 3	R/L 909130117		1.88
<i>(a) As Required</i>			
10 Cover, Moulding End	R 96054AG02A		33.50
	L 96054AG03A		33.50
11 Clip, Cover (a)	R/L 909130067		.98
<i>(a) As Required</i>			

INTERIOR TRIM

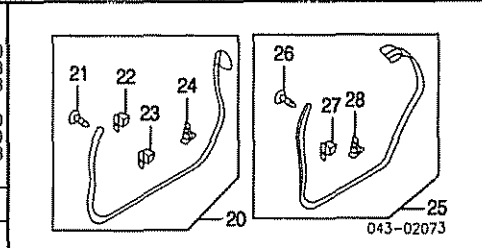


043-02046

1 Garnish Assy, Pillar-See Windshield Section			
2 Panel Assy, Cowl Trim (a)			
Black	R 94060AG09AJC	.2	19.13
	L 94060AG10AJC	.2	19.13
Ivory	R 94060AG09AWA	.2	19.13
	L 94060AG10AWA	.2	19.13
<i>(a) Order by Application</i>			
3 Clip, No. 1 Cowl Trim	R/L 909130142		20
4 Clip, No. 2 Cowl Trim	R/L 909130143		20
<i>(Included w/Cowl Trim Panel Assy)</i>			
5 Clip, Cowl Trim	R/L 909130127		74
6 Trim, Outer Front Scuff			
Aluminum	R 94060AG15A	.#2	91.02
	L 94060AG16A	.#2	91.02
Plastic	R 94060AG13A	.#2	49.83
	L 94060AG14A	.#2	49.83
7 Trim, Outer Rear Scuff			
Aluminum	R 94061AG10A	.#2	75.13
	L 94061AG11A	.#2	75.13
Plastic	R 94061AG06A	.#2	51.27
	L 94061AG07A	.#2	51.27
8 Cover, Trim	R 94053AG08A		43.37
	L 94053AG09A		43.37
9 Trim, Inner Front Scuff			
Black	R 94060AG11AJC	.#2	52.33
	L 94060AG12AJC	.#2	52.33
Ivory	R 94060AG11AWA	.#2	52.33
	L 94060AG12AWA	.#2	52.33
10 Trim, Inner Rear Scuff			
Black	R 94061AG04AJC	.#2	50.93
	L 94061AG05AJC	.#2	50.93
Ivory	R 94061AG04AWA	.#2	50.93
	L 94061AG05AWA	.#2	50.93

#R&R One Side Complete

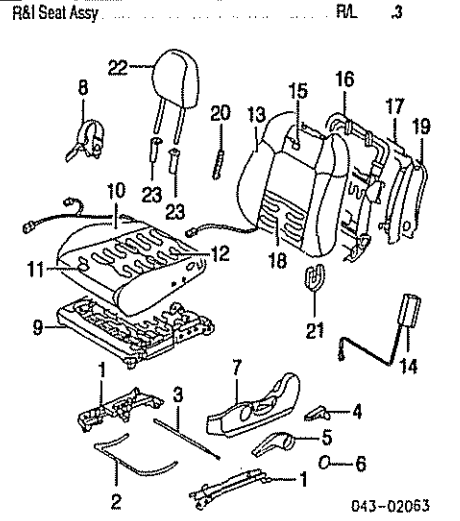
11 Trim Assy, Upper Center Pillar	R 94012AG06AOR	.3	59.58
	L 94012AG07AOR	.3	59.58
12 Clip, Upper Trim (b) (4/5Side)	R/L 909130096		.98
<i>(b) Included w/Upper Center Pillar Trim Assy</i>			
13 Cap, Pillar Trim	R/L 94067AG50AOR		3.17
14 Bracket, Trim	R/L 94080AG04A		6.48
15 Trim Assy, Lower Center Pillar			
Black	R 94022AG02AJC	.3	49.62
	L 94022AG03AJC	.3	49.62
Ivory	R 94022AG02AWA	.3	49.62
	L 94022AG03AWA	.3	49.62
16 Clip, Trim (c) (4/5Side)	R/L 909130096		.98
<i>(c) Included w/Lower Center Pillar Trim Assy</i>			
17 Pad, Center Pillar Trim	R 94088AG42A		19.42
	L 94088AG43A		19.42
18 Weatherstrip, Front			
Body Side	R 63571AG00AJC	.4	39.08
Black	L 63571AG01AJC	.4	39.08
Gray	R 63571AG00AOR	.4	39.08
	L 63571AG01AOR	.4	39.08
19 Weatherstrip, Rear			
Body Side	R 63572AG00AJC	.4	39.05
Black	L 63572AG01AJC	.4	39.17
Ivory	R 63572AG00AOR	.4	39.17
	L 63572AG01AOR	.4	39.17



20 Weatherstrip Assy, Lower			
Front			
Body Side	R 63511AG00A	.3	28.18
	L 63511AG01A	.3	28.18
21 Clip, No. 1 (a) (e)	R/L 90381FA010		6.17
22 Clip, No. 2 (a) (e)	R/L 909120023		.60
23 Clip, No. 3 (a) (e)	R/L 909120026		.60
24 Clip, No. 4 (a) (e)	R 909120033		.98
	L 909120035		.98
<i>(a) As Required</i>			
<i>(e) Included w/Lower Weatherstrip Assy</i>			
25 Weatherstrip Assy, Lower			
Rear			
Body Side	R 63512AG00A	.3	31.07
	L 63512AG01A	.3	31.07
26 Clip, No. 1 (a) (f)	R/L 90381FA010		6.17
27 Clip, No. 2 (a) (f)	R/L 909120026		.60
28 Clip, No. 3 (a) (f)	R/L 909120030		.60
<i>(a) As Required</i>			
<i>(f) Included w/Lower Weatherstrip Assy</i>			

FRONT SEAT

MANUAL



043-02063

R&I Seat Assy		R/L	.3
1 Adjuster, Seat			
Passenger Side-Serviced w/Seat Frame	R 64160AG01A	.#2	118.17
Driver Side	L 64170AG01A	.#2	99.20
<i>#w/Seat Assy Removed</i>			
2 Lever, Rail Adjust			
Passenger Side-Serviced w/Seat Frame	R 64135AG00A		46.13
Driver Side	L 64135AG00A		46.13
3 Wire, Connector			
Passenger Side-Serviced w/Seat Frame	R 64178AG00A		18.88
Driver Side	L 64178AG00A		18.88
4 Lever, Reclining			
Passenger Side	R 64143AG00AJC		18.85
Black	L 64143AG00AWA		18.85
Ivory	R 64143AG01AJC		18.85
Driver Side	L 64143AG01AWA		18.85
5 Knob, Lifter			
Driver Side	R 64143AG03AJC		19.25
6 Cap, Lever			
Driver Side	R 64107AG03AJC		17.48
7 Cover, Recline Adjuster			
Passenger Side	R 64115AG27AJC	.1	30.82
Driver Side	L 64115AG23AJC	.1	30.70
<i>(Black listed, Order by Application)</i>			
8 Cover, Adjuster			
Passenger Side	R 64115AG28AJC	.1	25.83
Black	L 64115AG30AWA	.1	25.83
Ivory	R 64115AG29AJC	.1	27.65
Driver Side	L 64115AG31AJC	.1	27.65
9 Frame, Seat			
Passenger Side (a)	R 64100AG10A	.#9	1060.23
Driver Side	L 64100AG03A	.#1	175.62
<i>(a) Includes Seat Adjuster</i>			
<i>(Includes R&R Seat Adjusters, w/Seat Assy Removed)</i>			
10 Cover, Cushion			
Passenger Side	R 64140AG00AJC	.#9	154.22
Driver Side	L 64140AG01AJC	.#9	154.22

(Black listed, Order by Application)

11 Pad, Cushion			
Passenger Side	R 64120AG00A	.#9	99.53
Driver Side	L 64120AG01A	.#9	99.53
12 Heater, Seat Cushion			
Passenger Side	R 64111AG00A	.#9	110.67
Driver Side	L 64111AG00A	.#9	110.67
<i>#R&R One Side Complete, Included In R&R Seat Frame, w/Seat Assy Removed</i>			
13 Cover, Seat Back			
Passenger Side	R 64150AG02AJC	.#9	155.52
Driver Side	L 64150AG03AJC	.#9	155.52
<i>(Black, Order by Application)</i>			
14 Module, Side Air Bag-See Air Bag System Section			
15 Pad, Seat Back			
Passenger Side	R 64130AG00A	.#9	92.98
Driver Side	L 64130AG01A	.#9	92.98
16 Frame, Seat Back			
Passenger Side	R 64110AG00A	.#9	91.32
Driver Side	L 64110AG01A	.#9	118.20
17 Garnish, Seat Back			
Passenger Side	R 64124AG00A	.#9	39.42
Driver Side	L 64124AG00A	.#9	39.42
18 Heater, Seat Back			
Passenger Side	R 64111AG02A	.#9	85.42
Driver Side	L 64111AG02A	.#9	85.42
19 Board, Seat Back			
Passenger Side	R 64124AG02AJC	.#9	44.82
Driver Side	L 64124AG02AJC	.#9	44.82
<i>#R&R One Side Complete, Includes R&R Headrest, w/Seat Assy Removed</i>			
20 Lever, Lumber			
Passenger Side	R 64143AG04AJC		18.02
Driver Side	L 64143AG04AJC		18.02
21 Cover, Inner			
Passenger Side	R 64115AG38AJC		27.65
Driver Side	L 64115AG39AJC		27.65
22 Headrest			
Passenger Side	R 64061AG01AJC	.2	88.67
Driver Side	L 64061AG01AJC	.2	88.67
<i>(Black listed, Order by Application)</i>			
23 Support, Headrest			
Passenger Side			
Locking			
Black	R 64106AG01AJC		20.00
Ivory	L 64106AG01AWA		20.00
Non-Locking			
Black	R 64106AG00AJC		17.73
Ivory	L 64106AG00AWA		17.73
Driver Side			
Locking			
Black	R 64106AG01AJC		20.00
Ivory	L 64106AG01AWA		20.00
Non-Locking			
Black	R 64106AG00AJC		17.73
Ivory	L 64106AG00AWA		17.73

POWER

R&I Seat Assy			3
1 Frame, Seat			
Passenger Side	R 64100AG10A	.#2	1060.23
Driver Side	L 64100AG03A	.#2	90.72
<i>#w/Seat Assy Removed</i>			
2 Adjuster, Seat Track-Serviced w/Seat Frame			
3 Switch, Power Seat			
Passenger Side	R 64176AG00A		96.32
Driver Side	L 64176AE10A		90.73
4 Harness, Sensor			
Passenger Side	R 64084AG21A		d117.98
<i>(Order by Application)</i>			
5 Knob, Power Seat			
Passenger Side	R 64143AE01AJC		22.27
Black	L 64143AE01AWA		22.27
Ivory	R 64143AE01AJC		22.27
Driver Side	L 64143AE01AWA		22.27
6 Knob, Reclining			
Passenger Side	R 64143AE00AJC		21.15
Black	L 64143AE00AJC		21.15

SUBARU LEGACY/OUTBACK 2005

FRONT SEAT Cont'd

POWER Cont'd

Ivory Driver Side	64143AE00AWA	21	15
Black	64143AE00AJC	21	15
Ivory	64143AE00AWA	21	15
7 Cover, Recline Adjuster			
Passenger Side			
Black	64115AG27AJC	.1	30.82
Ivory	64115AG27AWA	.1	30.82
Driver Side			
Black	64115AG24AJC	.1	30.70
Ivory	64115AG24AWA	.1	30.70
8 Cover, Adjuster			
Passenger Side	64115AG28AJC	.1	25.83
Driver Side	64115AG29AJC	.1	27.65
9 Cover, Cushion			
Passenger Side	64140AG10AJC	#.9	329.65
Driver Side	64140AG11AJC	#.9	329.65
<i>#Black listed, Order by Application</i>			
10 Pad, Cushion			
Passenger Side	64120AG00A	#.9	99.53
Driver Side	64120AG03A	#.9	99.82
11 Heater, Seat Cushion			
Passenger Side	64111AG00A	#.9	110.67
Driver Side	64111AG00A	#.9	110.67
<i>#R&R One Side Complete, w/Seat Assy Removed</i>			
12 Cover, Seat Back			
Passenger Side	64150AG10AJC	#.9	331.48
Driver Side	64150AG11AJC	#.9	331.48
<i>#Black listed, Order by Application</i>			
13 Module, Side Air Bag-See Air Bag System Section			
14 Pad, Seat Back			
Passenger Side	64130AG04A	#.9	94.35
Driver Side	64130AG03A	#.9	92.98
15 Frame, Seat Back			
Passenger Side	64110AG02A	#.9	134.58
Driver Side	64110AG03A	#.9	134.58
16 Garnish, Seat Back			
Passenger Side	64124AG00A	#.9	39.42
Driver Side	64124AG00A	#.9	39.42
17 Heater, Seat Back			
Passenger Side	64111AG02A	#.9	85.42
Driver Side	64111AG02A	#.9	85.42
18 Board, Seat Back			
Passenger Side	64124AG01AJC	#.9	65.55
Driver Side	64124AG01AJC	#.9	65.55
<i>#R&R One Side Complete, Includes R&R Headrest, w/Seat Assy Removed</i>			
19 Lever, Lumbar			
Passenger Side			
Black	64143AG04AJC	18.02	
Ivory	64143AG04AWA	18.02	
Driver Side			
Black	64143AG04AJC	18.02	
Driver Side	64143AG04AWA	18.02	
20 Motor Unit, Power Seat			
Passenger Side	64102AG02A	#.3	178.83
Driver Side	64102AG03A	#.3	97.15
<i>#w/Seat Assy Removed</i>			
21 Cover, Hinge			
Passenger Side			
Black	R 64115AG32AJC	1	22.67
L 64115AG34AWA		1	22.67
Ivory	R 64115AG32AWA	1	22.67
L 64115AG34AWA		1	22.67
Driver Side			
Black	R 64115AG35AJC	1	22.67
L 64115AG33AJC		1	22.67
Ivory	R 64115AG35AWA	1	22.67
L 64115AG33AWA		1	22.67
22 Headrest			
Passenger Side	64061AG04AJC	2	166.15
Driver Side	64061AG04AJC	2	166.15
<i>#Black listed, Order by Application</i>			
23 Support, Headrest			
Passenger Side			
Locking	64106AG01AJC	20.00	
Black	64106AG01AWA	20.00	
Ivory			
Non-Locking			
Black	64106AG00AJC	17.73	
Ivory	64106AG00AWA	17.73	
Driver Side			
Locking			
Black	64106AG01AJC	20.00	
Ivory	64106AG01AWA	20.00	
Non-Locking			
Black	64106AG00AJC	17.73	
Ivory	64106AG00AWA	17.73	

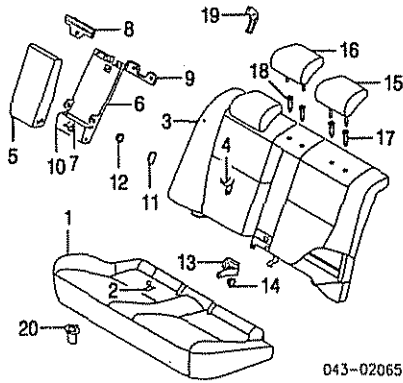
REAR SEAT

SEDAN

R&I Seat Back Assy	#.5
<i>#Includes R&I Seat Cushion Assy</i>	
R&I Seat Cushion Assy	.2

Illustration Located in Next Column

1 Cover, Seat Cushion			
Legacy			



043-02065

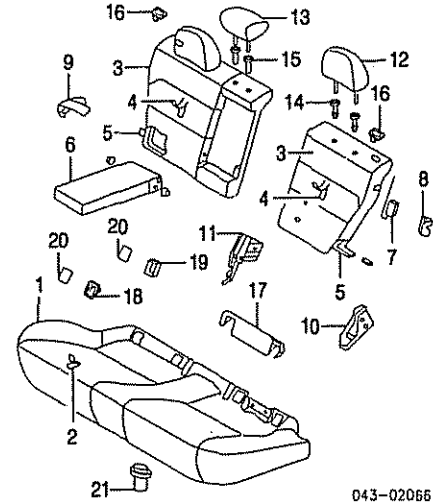
2.5 GT, 2.5i Model	64340AG10AJC	#.6	213.22
2.5 GT Limited Model	64340AG12AJC	#.6	308.90
2.5i Limited Model	64340AG11AJC	#.6	307.17
Outback	64340AG11AJC	#.6	307.17
<i>#Black listed, Order by Application</i>			
2 Pad & Frame, Seat	64320AG10A	#.6	109.22
<i>#R&R Complete, w/Seat Cushion Assy Removed</i>			
3 Cover, Seat Back			
Legacy			
2.5 GT, 2.5i Model	64350AG40AJC	#1.0	392.32
2.5 GT Limited Model	64350AG42AJC	#1.0	381.22
2.5i Limited Model	64350AG41AJC	#1.0	392.32
Outback	64350AG41AJC	#1.0	392.32
<i>#Black listed, Order by Application</i>			
4 Pad, Seat Back	64330AG10A	#1.0	97.97
<i>#R&R Complete, Includes R&R Headrests, w/Seat Back Assy Removed</i>			
5 Armrest, Center			
Legacy	64380AG10AJC	144	15
Outback	64380AG11AWA	161	80
<i>#Black listed, Order by Application</i>			
6 Frame, Center	64470AA160	151	52
7 Pad, Center	64345AG10A	36	78
8 Center Front			
Ivory	64926GA030JC	70	85
Black	64926GA030AWA	70	85
9 Center Rear			
Black	64926GA040JC	118	87
Ivory	64926GA040AWA	118	87
10 Center Lower	64315AG00AJC	18	43
<i>#Black listed, Order by Application</i>			
11 Cover, Armrest Hinge	R/L 64584AA130MA	3	03
	64470AA140	15	43
12 Collar, Cushion (4)	R 64371AE20B	19	33
	L 64371AE21B	19	33
13 Hinge, Armrest	R/L 64306AE11A	12	58
	R/L 64261AG22AJC	2	94.30
14 Bushing, Hinge	R/L 64261AG32AJC	2	92.37
15 Headrest, Outer			
16 Headrest, Center			
<i>#Black listed, Order by Application</i>			
Support, Headrest			
Outer Headrest			
Locking			
Gray	R/L 64280FA130MU	6	47
Ivory	R/L 64280FA130WA	20	00
Non-Locking			
Gray	R/L 61917AG250MU	0	00
Ivory	R/L 61917AG250WA	0	00
18 Center Headrest			
Locking			
Gray	64580FA300MU	5	12
Ivory	64580FA300WA	18	32
19 Striker, Center	64375AG020	17	15
20 Hook, Seat Cushion	R/L 64396KA010	2	05

WAGON

R&I Seat Back Assy	R/L	#.4
<i>#Includes R&I Seat Cushion</i>		
R&I Seat Cushion Assy		.2

Illustration Located in Next Column

1 Cover, Seat Cushion	64340AG04AJC	#.6	375.27
<i>#Black listed, Order by Application</i>			
2 Pad & Frame, Seat	64320AG00A	#.8	109.22
<i>#R&R Complete, w/Seat Cushion Assy Removed</i>			
3 Cover, Seat Back	R 64350AG07AJC	#.8	373.57
	L 64350AG11AJC	#.8	166.72
<i>#Black listed, Order by Application</i>			
4 Pad, Seat Back	R 64330AG01A	#.8	90.03
	L 64330AG02A	#.8	76.98
5 Frame, Seat Back	R 64310AG01A	#.8	113.03
	L 64310AG02A	#.8	116.60
<i>#Order by Application</i>			
6 Armrest, Center	64380AG01AJC	141	88
<i>#Black listed, Order by Application</i>			
7 Lock, Seat Back			
Outer	R 64383AG00A	48	83
	L 64383AG01A	48	83

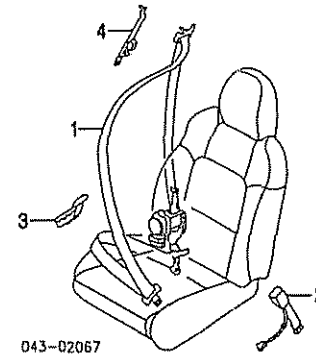


043-02066

8 Rear			
Black	64315AG00AJC	18	43
Ivory	64315AG00AWA	18	43
9 Striker, Seat	R 64375AG00A	9	38
L 64375AG01A		9	38
Hinge, Backrest			
Outer	R 64371AG00A	34	48
	L 64371AG01A	34	48
11 Center			
12 Headrest, Outer	R/L 64261AG02AJC	2	107.32
13 Headrest, Center	64261AG12AJC	2	102.97
<i>#Order by Application</i>			
Support, Headrest			
Outer Headrest			
Locking			
Gray	R/L 64280FA130MU	6	47
Ivory	R/L 64280FA130WA	20	00
Non-Locking			
Gray	R/L 61917AG250MU	0	00
Ivory	R/L 61917AG250WA	0	00
15 Center Headrest			
Locking			
Gray	64280FA130MU	6	47
Ivory	64280FA130WA	20	00
16 Holder, Backrest			
Black	R/L 64328AG20AJC	19	47
Ivory	R/L 64328AG20AWA	19	47
17 Support, Rear Seat	R 64345AG00A	53	98
L 64345AG01A		53	98
Holder, Seat Belt			
Outer			
Black	R 64328AG11AJC	17	82
	L 64328AG12AJC	34	77
Ivory	R 64328AG11AWA	17	82
	L 64328AG12AWA	17	82
19 Center			
Black	R/L 64328AG10AJC	18	07
Ivory	R/L 64328AG10AWA	18	07
20 Cap, Holder (4)			
Black	64307AG00AJC	17	57
Ivory	64307AG00AWA	18	88
21 Hook, Seat Cushion	R/L 64396KA010	2	05

SEAT BELTS

FRONT

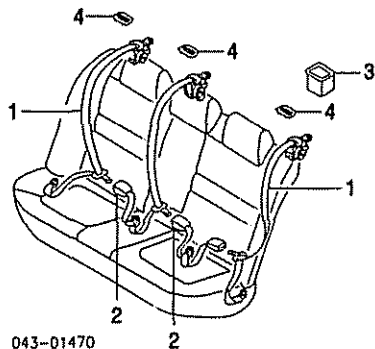


043-02067

1 Belt, Seat			
Black	R 64621AG20AJC	#.9	101.80
	L 64621AG21AJC	#.9	100.32
Ivory	R 64621AG20AWA	#.9	101.80
	L 64621AG21AWA	#.9	100.32
<i>#Includes R&I/R&R Upper & Lower Center Pillar Trim</i>			
2 Buckle, Seat Belt			
Black	R 64631AG00AJC	2	69.13

Ivory	L 64631AG01AJC	2	80.93
	R 64631AG00AWA	2	69.13
	L 64631AG01AWA	2	80.93
3 Cover, Belt	R 64107AG00AJC		16.62
	L 64107AG01AJC		16.62
<i>#Black listed, Order by Application</i>			
4 Adjuster, Seat Belt	R/L 64703AG00A		25.55

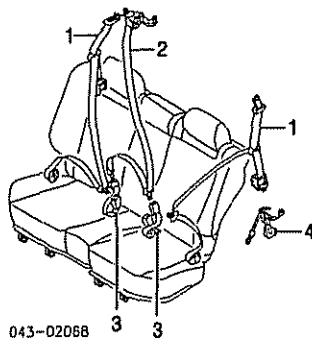
REAR SEDAN



043-01470

1 Belt, Outer Seat			
Black	R/L 64661AG00AJC	#.3	59.95
Ivory	R/L 64661AG00AWA	#.3	59.95
2 Belt, Center Seat			
Black	R 64681AG00AJC	#.3	79.95
	L 64681AG01AJC	#.3	49.95
Ivory	R 64681AG00AWA	#.3	79.95
	L 64681AG01AJC	#.3	49.95
<i>#w/Seat Back Assy Removed</i>			
3 Cover, Locking Retractor	64715AE060		9.90
4 Cover, Seat Belt (3)			
Black	64715AE02AJC		18.97
Ivory	64715AE02AWA		18.97

REAR WAGON



043-02068

1 Belt, Outer Seat			
Black	R 64661AG10AJC	#.3	59.95
	L 64661AG11AJC	#.3	59.95
Ivory	R 64661AG10AWA	#.3	59.95
	L 64661AG11AWA	#.3	59.95
2 Belt, Center Seat			
Black	64681AG10AJC	#.3	69.95
Ivory	64681AG10AWA	#.3	69.95
3 Buckle, Center Seat			
Black	R 64681AG11AJC	#.3	59.95
	L 64681AG12AJC	#.3	49.95
Ivory	R 64681AG11AWA	#.3	59.95
	L 64681AG12AWA	#.3	49.95
<i>#w/Seat Back Assy Removed</i>			
4 Bracket, Belt Anchor	R 64705AG00A		98.95
	L 64705AG01A		98.95

FRONT DOOR

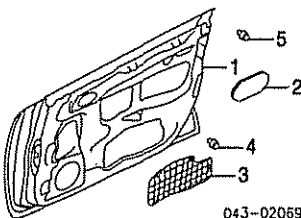
Use Procedure Explanations 16 and 28 with the following text.

SHEET METAL

Refinish Door Outside	R/L	2.0
Add for Jambs & Interior	R/L	1.0
R&I Door Assy	R/L	.7

Illustration Located in Next Column

1 Shell, Door Legacy	R 60009AG10A9P	#4.5	526.70
	L 60009AG11A9P	#4.5	526.70

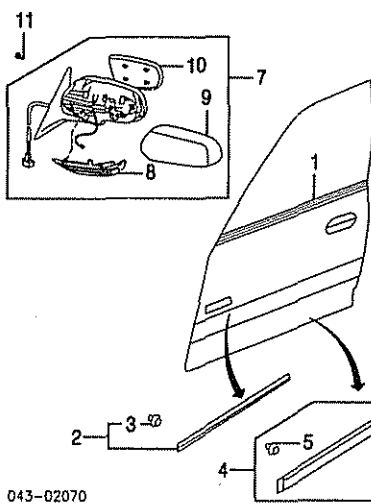


043-02059

Outback	R 60009AG12A9P	#4.5	526.70
	L 60009AG13A9P	#4.5	526.70
<i>#Includes R&I/R&R Mirror</i>			
2 Damper, Door	R/L 61083AG00A		14.15
<i>#As Required</i>			
3 Cover, Door	R 61134AG10A		32.97
	L 61134AG11A		32.97
4 Stopper, Door (2/Slide)	R/L 760102330		1.22
5 Cushion, Door	R/L 909270000		7.37

EXTERIOR TRIM

Refinish Side Moulding			
Narrow Type	R/L	.5	
Wide Type	R/L	1.0	
Refinish Mirror Assy	R/L	.5	
R&I Belt Moulding	R/L	.3	
R&I Mirror Assy	R/L	#.6	
<i>#Includes R&I Trim Panel</i>			



043-02070

1 Moulding, Outer Belt	R 61280AG00A	3	29.33
	L 61280AG01A	3	29.33
2 Moulding Assy, Slide (Adhesive)			
Narrow Type			
Atlantic Blue	R 91012AG08ABE	2	58.35
	L 91012AG09ABE	2	60.68
Black	R 91012AG00AVV	2	54.88
	L 91012AG01AVV	2	54.88
Gold	R 91012AG08AGA	2	58.35
	L 91012AG09AGA	2	58.35
Green	R 91012AG08AHZ	2	58.35
	L 91012AG09AHZ	2	58.35
Red	R 91012AG08ARO	2	58.35
	L 91012AG09ARO	2	58.35
Regal Blue	R 91012AG00ABH	2	54.88
	L 91012AG01ABH	2	54.88
Silver	R 91012AG00ATE	2	54.88
	L 91012AG01ATE	2	54.88
White	R 91012AG00AWH	2	54.88
	L 91012AG01AWH	2	54.88
Paint to Match	R 91012AG08ANN	2	58.35
	L 91012AG09ANN	2	58.35
3 Clip, Moulding (a)	R/L 91012AG240		1.98
<i>#Included w/Side Moulding Assy</i>			
<i>(a) As Required</i>			
4 Moulding Assy, Side (Adhesive)			
Wide Type			
Atlantic Blue	R 91112AG28ABE	.4	131.18
	L 91112AG29ABE	.4	131.18
Black	R 91112AG28AVV	.4	129.78
	L 91112AG29AVV	.4	129.78
Gold	R 91112AG28AGA	.4	130.67
	L 91112AG29AGA	.4	130.67
Gray	R 91112AG28ALY	.4	129.50
	L 91112AG29ALY	.4	129.50
Green	R 91112AG28AFY	.4	130.62
	L 91112AG29AFY	.4	130.62
Red	R 91112AG28ARO	.4	131.93
	L 91112AG29ARO	.4	131.93
Silver	R 91112AG28ATE	.4	130.07
	L 91112AG29ATE	.4	130.07
White	R 91112AG28AWH	.4	167.63
	L 91112AG29AWH	.4	167.63
5 Clip, Upper Moulding (b) (c)	R/L 909130109		98

6 Clip, Lower Moulding (b) (c)	R/L 91111AG34A		3.87
<i>(b) Included w/Side Moulding Assy</i>			
<i>(c) As Required</i>			

7 Mirror Assy, Rear View Heated w/Turn Signal Lamps Atlantic Blue	R 91031AG06ABE	#.3	249.95
	L 91031AG07ABE	#.3	249.95
Black	R 91031AG06AVV	#.3	249.95
	L 91031AG07AVV	#.3	249.95
Gold	R 91031AG06AGA	#.3	249.95
	L 91031AG07AGA	#.3	249.95
Green	R 91031AG06AHZ	#.3	249.95
	L 91031AG07AHZ	#.3	249.95
Red	R 91031AG06ARO	#.3	249.95
	L 91031AG07ARO	#.3	249.95
Regal Blue	R 91031AG06ABH	#.3	249.95
	L 91031AG07ABH	#.3	249.95
Silver	R 91031AG06ATE	#.3	249.95
	L 91031AG07ATE	#.3	249.95
White	R 91031AG06AWH	#.3	249.95
	L 91031AG07AWH	#.3	249.95

w/o Turn Signal Lamps Atlantic Blue	R 91031AG02ABE	#.3	179.95
	L 91031AG03ABE	#.3	179.95
Black	R/L 91031AG02ANN	#.3	139.95
Gold	R 91031AG02AGA	#.3	179.95
	L 91031AG03AGA	#.3	179.95
Green	R 91031AG02AHZ	#.3	179.95
	L 91031AG03AHZ	#.3	179.95
Obsidian Black	R 91031AG02AVV	#.3	179.95
	L 91031AG03AVV	#.3	179.95
Red	R 91031AG02ARO	#.3	179.95
	L 91031AG03ARO	#.3	179.95
Regal Blue	R 91031AG02ABH	#.3	179.95
	L 91031AG03ABH	#.3	179.95
Silver	R 91031AG02ATE	#.3	179.95
	L 91031AG03ATE	#.3	179.95
White	R 91031AG02AWH	#.3	179.95
	L 91031AG03AWH	#.3	179.95

Non-Heated Atlantic Blue	R 91031AG00ABE	#.3	179.95
	L 91031AG01ABE	#.3	179.95
Black	R 91031AG00AVV	#.3	179.95
	L 91031AG01AVV	#.3	179.95
Regal Blue	R 91031AG00ABH	#.3	179.95
	L 91031AG01ABH	#.3	179.95
Silver	R 91031AG00ATE	#.3	179.95
	L 91031AG01ATE	#.3	179.95
White	R 91031AG00AWH	#.3	179.95
	L 91031AG01AWH	#.3	179.95

<i>#w/Trim Panel Removed</i>			
8 Lamp, Turn Signal (d)	R 84401AG020		162.02
	L 84401AG030		162.02

9 Cover, Mirror (d) w/Turn Signal Lamps Atlantic Blue	R 91054AG02ABE	2	70.20
	L 91054AG03ABE	2	70.20
Black	R 91054AG02AVV	2	70.20
	L 91054AG03AVV	2	70.20
Gold	R 91054AG02AGA	2	70.20
	L 91054AG03AGA	2	70.20
Green	R 91054AG02AHZ	2	70.20
	L 91054AG03AHZ	2	70.20
Red	R 91054AG02ARO	2	75.05
	L 91054AG03ARO	2	75.05
Regal Blue	R 91054AG02ABH	2	70.20
	L 91054AG03ABH	2	70.20
Silver	R 91054AG02ATE	2	70.20
	L 91054AG03ATE	2	70.20
White	R 91054AG02AWH	2	77.43
	L 91054AG03AWH	2	77.43

w/o Turn Signal Lamps Atlantic Blue	R 91054AG00ABE	2	70.20
	L 91054AG01ABE	2	70.20
Black	R 91012AG00ANN	2	52.58
	L 91012AG01ANN	2	52.58
Green	R 91054AG00AHZ	2	70.20
	L 91054AG01AHZ	2	70.20
Gold	R 91054AG00AGA	2	70.20
	L 91054AG01AGA	2	70.20
Obsidian Black	R 91054AG00AVV	2	70.20
	L 91054AG01AVV	2	70.20
Red	R 91054AG00ARO	2	75.05
	L 91054AG01ARO	2	75.05
Regal Blue	R 91054AG00ABH	2	70.20
	L 91054AG01ABH	2	70.20
Silver	R 91054AG00ATE	2	70.20
	L 91054AG01ATE	2	70.20
White	R 91054AG00AWH	2	77.43
	L 91054AG01AWH	2	77.43

10 Glass, Mirror (d) Heated w/Turn Signal Lamps	R 91039AG06A	4	72.62
	L 91039AG07A	4	65.33
w/o Turn Signal Lamps	R 91039AG02A	4	72.62
	L 91039AG03A	4	65.33
Non-Heated	R 91039AG00A	4	58.10
	L 91039AG01A	4	50.82

<i>(d) Included w/Rear View Mirror Assy</i>			
11 Screw, Mirror Mount (3/Slide)	R/L 904560007		.48

INTERIOR TRIM

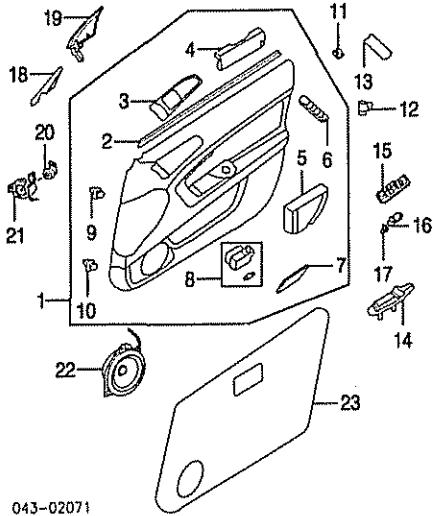
R&I Trim Panel Assy	R/L	.3
---------------------	-----	----

NOTE: All Parts in this section are included in R&R Trim Panel unless noted otherwise.

SUBARU LEGACY/OUTBACK 2005

FRONT DOOR Cont'd

INTERIOR TRIM Cont'd



043-02071

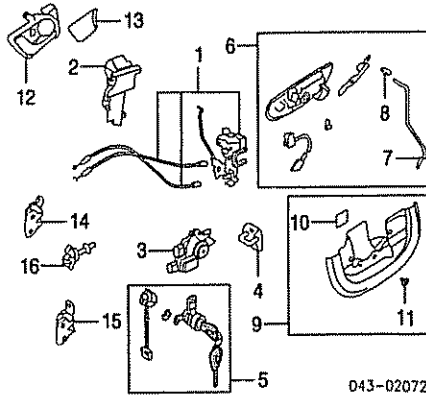
1 Panel Assy, Trim ⁽¹⁾	R 94219AG74AWA L 94219AG75AWA	5	288.27 294.27
<i>Order by Application</i>			
2 Moulding, Inner Belt (a)	R 61282AG00A L 61282AG01A		53.90 53.90
3 Cover, Control Panel (a)	R/L 94236AG02A		21.35
4 Pad, Door Trim Upper (a)	R 94257AG00A L 94257AG01A		17.90 17.90
5 Pad, Door Trim Lower (a)	R 94257AG02A L 94257AG03A		16.38 16.38
6 Grip, Handle (a)	R 94237AG06A L 94237AG07A		20.45 20.45
7 Lens, Step Lamp (a)	R 94256AG14A L 94256AG15A		11.93 11.93
8 Lamp, Step (a)	R/L 94256AG02A		17.12
9 Clip, No. 1 Trim (a) (2/Side)	R/L 909130077		2.63
10 Clip, No. 2 Trim (a) (1/Side)	R/L 909130105		98
<i>(a) Included w/Trim Panel Assy</i>			
Bracket, Door Grip			
11 Upper (2/Side)	R/L 94286AG02A		4.12
12 Lower	R/L 94286AG03A		4.68
13 Cover, Door Grip	R 94237AG02A L 94237AG03A		23.90 23.90
14 Panel, Switch	R 94266AG05A L 94266AG07A	2	14.85 14.85
Switch, Window Power			
15 Main	L 83071AG05A	2	69.42
16 Sub	R 83071AG04A	2	21.73
17 Manual	R 83073AG00A	2	12.97
18 Gusset, Door	R 94251AG04A L 94251AG05A		43.25 43.25
19 Cover, Door Corner	R 61158AG00A L 61158AG01A		37.85 37.85
20 Speaker, Tweeter	R/L 86301AG88A	#.2	474.55
21 Bracket, Speaker			
6 Speaker System	R 86304AG80A L 86301AG81A	#	435.13 34.93
7 Speaker System	R 86304AG86A L 86304AG87A	#	654.07 654.07
22 Speaker, Door			
6 Speaker System	R 86301AG60A L 86301AG61A	#.2	49.38 49.95
7 Speaker System	R 86301AG66A L 86301AG67A	#.2	72.95 72.92
23 Shield, Moisture	R/L 61244AG00A	#	1.54
<i>#w/Trim Panel Removed, Not Included in R&R Trim Panel</i>			

HARDWARE

Refinish Outside Handle	R/L	4
Refinish Upper Hinge	R/L	3
Refinish Lower Hinge	R/L	3
R&I Outside Handle	R/L	#1.3
<i>#Includes R&I Trim Panel & R&R Door Glass</i>		

Illustration Located in Next Column

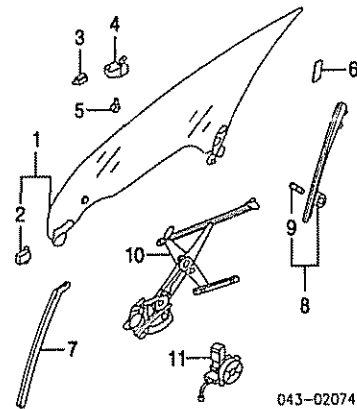
1 Latch, Door	R 61031AG15A L 61031AG16A	#.3	56.33 56.33
2 Cover, Latch	R 61134AG02A L 61134AG03A		50.62 50.62
3 Actuator, Latch	R/L 61100AG01A	#.4	69.28
<i>#w/Trim Panel Removed</i>			
4 Striker, Latch	R/L 61264AG00A	2	4.62
5 Cylinder, Door Lock ⁽¹⁾	57491AG40A		69.13
<i>#Included w/Complete Lock Set-listed in Steering Wheel/Column Section</i>			



043-02072

6 Handle Assy, Outside			
Atlantic Blue	R 61021AG00ABE	#.3	54.93
Black	L 61021AG01ABE	#.3	54.93
Black	R 61021AG00AVW	#.3	54.93
Black	L 61021AG01AVW	#.3	54.93
Gold	R 61021AG00AGA	#.3	54.93
Gold	L 61021AG01AGA	#.3	54.93
Green	R 61021AG00AHZ	#.3	54.93
Green	L 61021AG01AHZ	#.3	54.93
Red	R 61021AG00ARO	#.3	54.93
Red	L 61021AG01ARO	#.3	54.93
Regal Blue	R 61021AG00ABH	#.3	54.93
Regal Blue	L 61021AG01ABH	#.3	54.93
Silver	R 61021AG00ATE	#.3	54.93
Silver	L 61021AG01ATE	#.3	54.93
White	R 61021AG00AWH	#.3	54.93
White	L 61021AG01AWH	#.3	54.93
Paint to Match	R 61021AG02ANN L 61021AG03ANN	#.3	36.50 36.50
<i>#w/Trim Panel & Door Glass Removed</i>			
7 Rod, Outer Handle (b)	R 61228AG00A L 61228AG01A		33.70 33.70
8 Holder, Rod (b)	R/L 62150AA540		4.63
<i>(b) Included w/Outside Handle Assy</i>			
9 Bracket Assy, Outside Handle	R 61110AG220 L 61110AG230		22.88 22.88
10 Gasket, Bracket (c)	R/L 57791FA040		1.98
11 Clip, Bracket (c)	R/L 909140017		79
<i>(c) Included w/Outside Handle Bracket Assy</i>			
12 Handle, Inside	R 61051AG00AJC L 61051AG01AJC	#.2	19.30 33.20
<i>#w/Trim Panel Removed</i>			
13 Cap, Inside Handle	R 61120AG00AJC L 61120AG01AJC		4.03 4.03
14 Hinge, Upper	R 60470AG00A9P L 60470AG01A9P	#.2	9.50 9.50
15 Hinge, Lower	R 60470AG02A9P L 60470AG03A9P	#.2	9.25 9.25
<i>#w/Door Removed, Includes Recaulk Edge</i>			
16 Check, Door	R/L 63302FC001	#.2	34.07
<i>#w/Trim Panel Removed</i>			

GLASS & PARTS



043-02074

1 Glass Assy, Front Door			
Subaru	R 61011AG02A L 61011AG03A	1.0	146.95 146.95
NAGS	R/L FD22357-8GTN	1.0	0.00
2 Slider, Glass ⁽¹⁾	R/L 62224FC000		4.45
<i>#Included w/Front Door Glass Assy</i>			
3 Stabilizer, Outer Glass (2/Side)	R/L 61256AE010		10.95
4 Stabilizer, Inner Glass (2/Side)	R/L 62304FC000		11.60
5 Guide, Front Glass	R 61154AG000 L 61154AG010		22.88 22.88
6 Plug, Slide	R 61216AG00A L 61216AG01A		1.18 1.18
7 Channel, Front Run	R 61240AG100 L 61240AG110	#.1	28.60 28.60

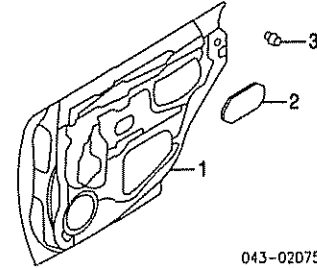
8 Channel Assy, Rear Run	R 61240AG120 L 61240AG130	#.1	28.60 28.60
<i>#w/Door Glass Removed</i>			
9 Clip, Run Channel (a) (2/Side)	R/L 61626AG000		98
<i>(a) Included w/Rear Run Channel Assy</i>			
10 Regulator, Power	R 61222AG00A L 61222AG01A	#1.2	120.48 120.48
<i>#Includes R&R Door Glass</i>			
11 Motor, Regulator	R 61188AG00A L 61188AG01A	#.2	96.82 96.82
<i>#w/Trim Panel Removed</i>			

REAR DOOR

Use Procedure Explanations 16 and 28 with the following text.

SHEET METAL

Refinish Rear Door Outside	R/L	2.0
Add for Jamb & Interior	R/L	1.0
R&I Door Assy	R/L	7

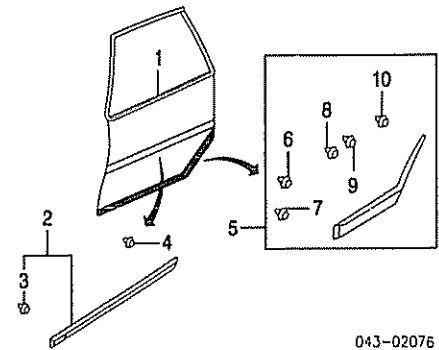


043-02075

1 Shell, Door			
Legacy	R 60409AG10A9P	4.0	526.70
Legacy	L 60409AG11A9P	4.0	526.70
Outback	R 60409AG12A9P L 60409AG13A9P	4.0	526.70 526.70
2 Damper, Door ⁽¹⁾	R/L 61083AG00A		14.15
<i>(1) As Required</i>			
3 Stopper, Door (2/Side)	R/L 760102330		1.22

EXTERIOR TRIM

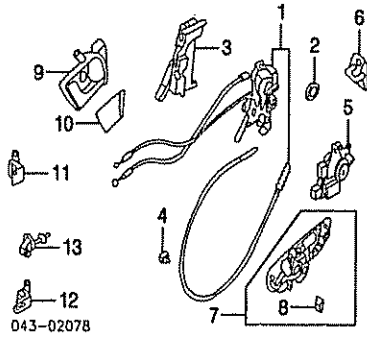
Refinish Side Moulding			
Narrow Type	R/L	5	
Wide Type	R/L	1.0	
R&I Bell Moulding	R/L	3	



043-02076

1 Moulding, Outer Belt	R 62280AG00A L 62280AG01A	3	28.72 28.72
2 Moulding Assy, Side (Adhesive)			
Narrow type			
Legacy			
Atlantic Blue	R 91012AG02ABE L 91012AG03ABE	2	46.67 46.67
Black	R 91012AG02AVW L 91012AG03AVW	2	46.67 46.67
Red	R 91012AG02ARO L 91012AG03ARO	2	46.67 46.67
Regal Blue	R 91012AG02ABH L 91012AG03ABH	2	46.67 46.67
Silver	R 91012AG02ATE L 91012AG03ATE	2	46.67 46.67
White	R 91012AG02AWH L 91012AG03AWH	2	46.67 46.67
Paint to Match	R 91012AG02ANN L 91012AG03ANN	2	46.67 46.67
Outback			
Atlantic Blue	R 91012AG10ABE L 91012AG11ABE	2	53.28 53.28
Black	R 91012AG10ANN L 91012AG11ANN	2	40.37 40.37
Gold	R 91012AG10AGA L 91012AG11AGA	2	53.28 53.28
Green	R 91012AG10AHZ L 91012AG11AHZ	2	53.28 53.28
Obsidian Black	R 91012AG10AVW L 91012AG11AVW	2	53.28 53.28
Red	R 91012AG10ARO L 91012AG11ARO	2	53.28 53.28

Silver	R 91012AG10ATE	.2	53.28
	L 91012AG11ATE	.2	53.28
White	R 91012AG10AWH	.2	53.28
	L 91012AG11AWH	.2	53.28
3 Clip, No. 1 Moulding (a) (Included w/Side Moulding Assy)	R/L 91012AG240		1.98
4 Clip, No. 2 Moulding (a) (a) As Required	R/L 91012AG250		1.98
5 Moulding Assy, Side (Adhesive) Wide Type			
Atlantic Blue	R 91112AG30ABE	.4	172.62
	L 91112AG31ABE	.4	172.62
Black	R 91112AG30ANN	.4	135.85
	L 91112AG31ANN	.4	135.85
Gold	R 91112AG30AGA	.4	172.30
	L 91112AG31AGA	.4	172.30
Gray	R 91112AG30ALY	.4	170.88
	L 91112AG31ALY	.4	170.88
Green	R 91112AG30AFY	.4	172.05
	L 91112AG31AFY	.4	172.05
Red	R 91112AG30ARO	.4	173.38
	L 91112AG31ARO	.4	173.38
Silver	R 91112AG30ATE	.4	171.45
	L 91112AG31ATE	.4	171.45
White	R 91112AG30AWH	.4	209.05
	L 91112AG31AWH	.4	209.05
6 Clip, Upper Moulding (a) (b)	R/L 909130109		98
7 Clip, Lower Moulding (a) (b)	R/L 91111AG34A		3.87
8 Clip, No. 1 Moulding (a) (b) (a) As Required	R/L 909130135		98
9 Clip, No. 2 Moulding (b)	R/L 909130029		5.80
10 Clip, Moulding Rear (b) (b) Included w/Side Moulding Assy	R/L 909120029		60



1 Latch, Door	R 61034AG00A	#3	67.43
	L 61034AG01A	#3	67.43
2 Plug, Latch	R/L 62216AG00A		54
3 Cover, Latch	R 62134AG00A		50.62
	L 62134AG01A		50.62
4 Clip, Cable	R/L 61166AG20A		3.62
5 Actuator, Latch #w/Trim Panel Removed	R/L 61100AG00A	#4	69.28
6 Striker, Latch	R/L 61264AG00A	.2	4.62
7 Handle Assy, Outside Atlantic Blue	R 61022AG00ABE	#3	52.87
	L 61022AG01ABE	#3	52.87
Black	R 61022AG02ANN	#3	34.97
	L 61021AG02ANN	#3	36.50
Gold	R 61022AG00AGA	#3	52.87
	L 61022AG01AGA	#3	52.87
Green	R 61022AG00AHZ	#3	52.87
	L 61022AG01AHZ	#3	52.87
Obsidian Black	R 61022AG00AVV	#3	52.87
	L 61022AG01AVV	#3	52.87
Red	R 61022AG00ARO	#3	52.87
	L 61022AG01ARO	#3	52.87
Regal Blue	R 61022AG00ABH	#3	52.87
	L 61022AG01ABH	#3	52.87
Silver	R 61022AG00ATE	#3	52.87
	L 61022AG01ATE	#3	52.87
White	R 61022AG00AWH	#3	52.87
	L 61022AG01AWH	#3	52.75
#w/Trim Panel & Door Glass Removed			
8 Holder, Rod (b)	R 62167AG100		27.57
	L 62167AG110		23.45
(b) Included w/Outside Handle Assy			
9 Handle, Inside	R 61051AG00AJC	#2	19.30
	L 61051AG01AJC	#2	33.20
#w/Trim Panel Removed			
10 Cap, Inside Handle	R 61120AG00AJC	4.03	4.03
	L 61120AG01AJC	#2	9.50
11 Hinge, Upper	R 60470AG00A9P	#2	9.50
	L 60470AG01A9P	#2	9.25
12 Hinge, Lower	R 60470AG02A9P	#2	9.25
	L 60470AG03A9P	#2	9.25
#w/Door Removed			
13 Check, Door	R/L 63302FC001	#2	34.07
#w/Trim Panel Removed			

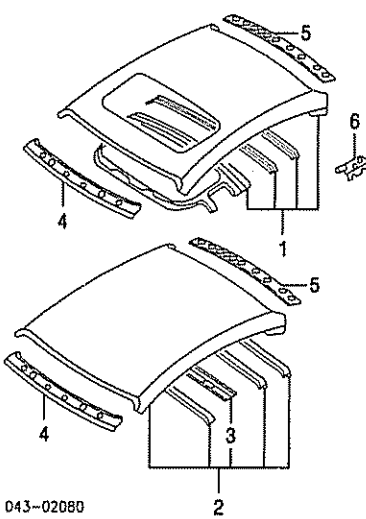
6 Channel, Rear Run	R 62240AG120	#1	28.60
	L 62240AG130	#1	28.60
#w/Door Glass Removed			
7 Regulator, Power	R 62222AG00A	#1.2	103.85
	L 62222AG01A	#1.2	103.85
#Includes R&R Door Glass			
8 Motor, Regulator	R 62188AG00A	#2	94.36
	L 62188AG01A	#2	94.36
#w/Trim Panel Removed			

ROOF

Use Procedure Explanations 17 and 28 with the following text.

SHEET METAL/EXTERIOR TRIM SEDAN

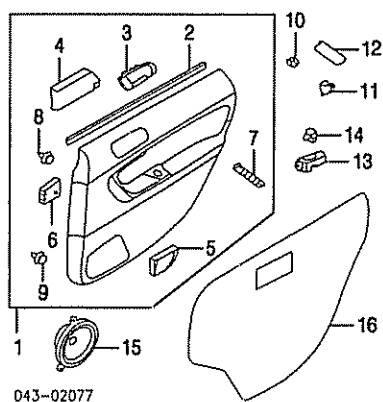
Refinish Roof Outside	2.6
-----------------------	-----



Panel Assy, Roof (a)			
1 w/Sunroof	53600AG03A9P	19.0	290.10
2 w/o Sunroof	53600AG02A9P	18.0	215.62
(a) Order by Application			
3 Rail, Center Roof] w/o Sunroof	53700AG09A9P	1.5	56.98
(Included w/Roof Panel Assy)			
4 Panel, Front Header (a) w/Sunroof	53400AG13A9P	1.5	135.60
	53400AG12A9P	1.5	135.03
w/o Sunroof			
(a) Order by Application			
5 Panel, Rear Header	53410AG02A9P	1.5	34.93
6 Bracket, Sunroof Frame	R 53620AG10A		11.93
	L 53620AG11A		11.93

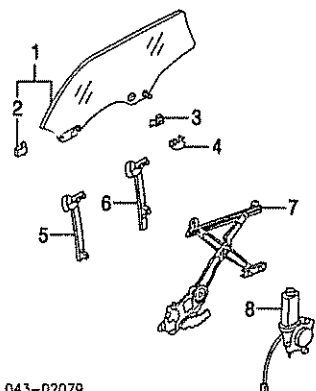
INTERIOR TRIM

R&I Trim Panel R/L .3
 NOTE: All Parts in this section are included in R&R Trim Panel unless noted otherwise.

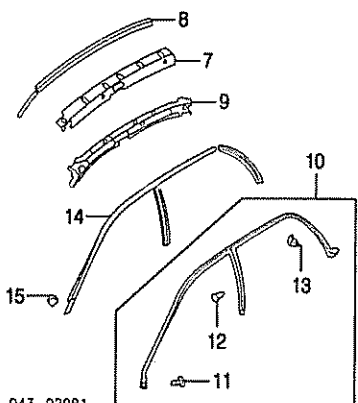


1 Panel Assy, Trim] (Order by Application)	R 94239AG30AWA	5	223.95
	L 94239AG31AWA	5	223.95
2 Moulding, Inner Belt (a)	R/L 61282AG02A	.4	50.62
3 Cover, Control Panel (a)	R 94246AG02A		12.88
	L 94246AG03A		12.88
4 Pad, Door Trim Upper (a)	R 94257AG04A		20.17
	L 94257AG05A		20.17
5 Pad, Door Trim Lower (a)	R 94257AG06A		14.20
	L 94257AG07A		14.20
6 Pad, Rear Trim (a)	R 94257AG16A		15.30
	L 94257AG17A		15.30
7 Grip, Handle (a)	R 94247AG06A		20.28
	L 94247AG07A		20.28
8 Clip, No. 1 Trim (a) (2/Side)	R/L 909130077		2.63
9 Clip, No. 2 Trim (a) (14/Side) (a) Included w/Trim Panel Assy	R/L 909130105		98
Bracket, Door Grip			
10 Upper (2/Side)	R/L 94286AG02A		4.12
11 Lower	R/L 94286AG04A		4.82
12 Cover, Door Grip	R 94247AG02A		23.45
	L 94247AG03A		23.45
13 Panel, Switch	R 94265AG08A	.2	11.93
	L 94265AG09A	.2	11.93
14 Switch, Window	R/L 83071AG04A		21.73
15 Speaker, Door			
6 Speaker System	R/L 86301AG70A	#2	47.28
7 Speaker System	R/L 86301AG76A	#2	64.97
16 Shield, Moisture	R/L 62244AG00A	#	1.38
#w/Trim Panel Removed, Not Included in R&R Trim Panel			

GLASS & PARTS



1 Glass Assy, Front Door			
Subaru			
Sedan	R 62011AG12A	1.0	129.95
	L 62011AG13A	1.0	129.95
Wagon	R 62011AG02A	1.0	129.95
	L 62011AG03A	1.0	129.95
NAGS			
Sedan	R FD22359GTN	1.0	0.00
	L FD22360GTN	1.0	0.00
Wagon	R/L FD22364-5GTN	1.0	0.00
2 Slider, Glass] (Included w/Front Door Glass Assy)	R 61248AG000		17.15
3 Stabilizer, Outer Glass (2/Side)	R/L 61256AE010		10.95
4 Stabilizer, Inner Glass (2/Side)	R 62304FC000		11.60
5 Channel, Front Run	R 62240AG100	#1	28.60
	L 62240AG110	#1	28.60



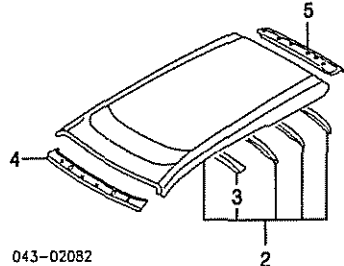
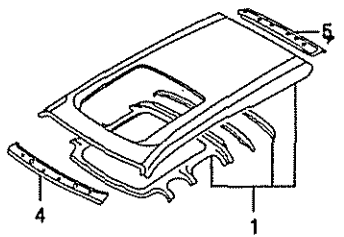
7 Rail, Outer Side	R 51425AG02A9P		97.82
	L 51425AG03A9P		97.82
8 Rail, Drip	R 51435AG04A9P		22.75
	L 51435AG05A9P		22.75
9 Rail, Inner Roof Side	R 51529AG06A9P		100.48
	L 51529AG07A9P		100.48
10 Weatherstrip Assy, Roof Body Side	R 63521AG10A	#6	90.40
	L 63521AG11A	#6	90.40
11 Clip, No. 1 (a) (B/Side)	R/L 90381PAD10		6.17
12 Clip, No. 2 (a) (2/Side)	R/L 909120041		98
13 Clip, No. 3 (a) (4/Side) (a) Included w/Roof Weatherstrip Assy	R/L 909120023		60
14 Moulding, Roof	R 63531AG10A	#6	111.42
	L 63531AG11A	#6	111.42
#R&R One Side Complete			
15 Grommet, Moulding (18/Side)	R/L 62731FA000		80

SUBARU LEGACY/OUTBACK 2005

ROOF Cont'd

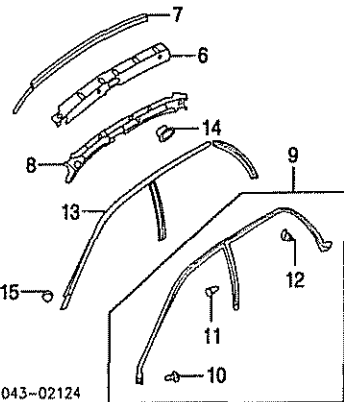
SHEET METAL/EXTERIOR TRIM WAGON

Refinish Roof Outside 3.0



043-02082

Panel Assy, Roof (a)			
1 w/Sunroof	53600AG01A9P	20.0	299.37
2 w/o Sunroof	53600AG00A9P	19.0	238.47
(a) Order by Application			
3 Rail, Center Roof]			
w/o Sunroof	53700AG09A9P	1.5	56.98
]Included w/Roof Panel Assy			
4 Panel, Front Header (a)			
w/Sunroof	53400AG11A9P	1.5	128.87
w/o Sunroof	53400AG12A9P	1.5	135.03
(a) Order by Application			
5 Panel, Rear Header	53410AG00A9P	1.5	49.25

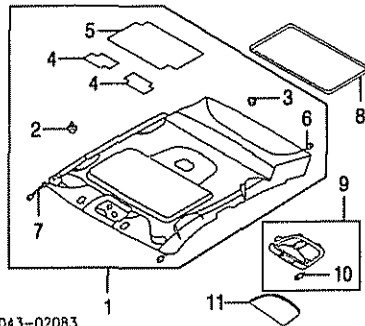


043-02124

6 Rail, Outer Side	R 51425AG00A9P	100.82	
	L 51425AG01A9P	100.82	
7 Rail, Drip	R 51435AG06A9P	22.75	
	L 51435AG05A9P	22.75	
8 Rail, Inner Roof Side	R 51529AG04A9P	97.48	
	L 51529AG05A9P	97.48	
9 Weatherstrip Assy, Roof Body Side	R 63521AG00A	#.6	91.95
	L 63521AG01A	#.6	91.95
10 Clip, No. 1 (b) (8/Side)	R/L 909120041	6.17	
11 Clip, No. 2 (b) (2/Side)	R/L 909120041	99	
12 Clip, No. 3 (b) (4/Side)	R/L 909120023	.60	
(b) Included w/Roof Weatherstrip Assy			
13 Moulding, Roof	R 63531AG00A	#.6	135.47
	L 63531AG01A	#.6	135.47
#R&R One Side Complete			
Grommet, Moulding			
14 No. 1 (4/Side)	R/L 791017980	3.18	
15 No. 2 (16/Side)	R/L 62731FA000	.80	

INTERIOR TRIM SEDAN W/SUNROOF

R&I Headliner 2.0

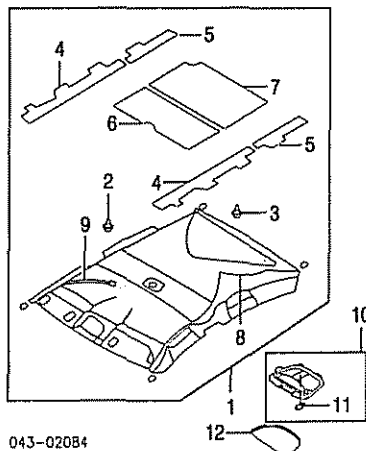


043-02083

1 Headliner Assy (a)	94420AG50AOR	2.0	377.23
(a) Order by Application			
Clip, Headliner]			
2 No. 1 (3)	909130105		98
3 No. 2 (4)	909130140		98
4 Insulator, Front (2)	94474AG65A	22	10
5 Insulator, Rear]	94474AG64A	34	73
6 Cord, Antenna]	86325AG26A	57	40
7 Harness, Roof] (a)	81801AG13A	68	63
]Included w/Headliner Assy			
(a) Order by Application			
8 Garnish, Sunroof	94470AG03AOR	.2	13.58
9 Lamp Assy, Room	84601AG01AOR	.2	91.97
10 Bulb, Room Lamp (b)	84920AC050	.2	1.95
(b) Included w/Room Lamp Assy			
11 Lens, Lamp	84602AG01A	48	38

INTERIOR TRIM SEDAN W/O SUNROOF

R&I Headliner 2.0



043-02084

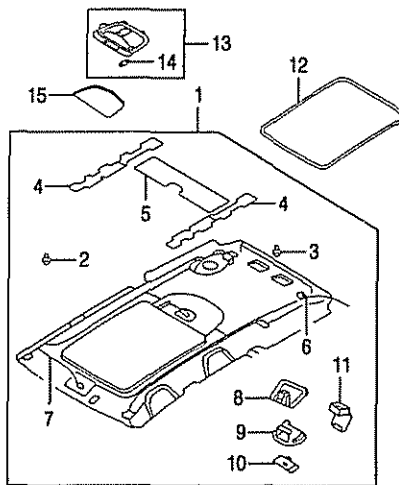
1 Headliner Assy (a)	94410AG50AOR	2.0	377.83
(a) Order by Application			
Clip, Headliner]			
2 No. 1 (3)	909130105		98
3 No. 2 (4)	909130140		98
4 Insulator, Side Front]	R/L 94474AG60A	29	58
5 Insulator, Rear Side]	R/L 94474AG61A	24	60
Insulator, Center]			
6 Front	94474AG62A	35	52
7 Rear	94474AG64A	34	73
8 Cord, Antenna]	86325AG26A	57	40
9 Harness, Roof] (a)	81801AG12A	57	77
]Included w/Headliner Assy			
(a) Order by Application			
10 Lamp Assy, Room	84601AG01AOR	.2	91.97
11 Bulb, Room Lamp (b)	84920AC050	.2	1.95
(b) Included w/Room Lamp Assy			
12 Lens, Lamp	84602AG01A	48	38

INTERIOR TRIM WAGON W/SUNROOF

R&I Headliner 2.0

Illustration Located in Next Column

1 Headliner Assy (a)	94421AG50AOR	2.0	372.53
(a) Order by Application			
Clip, Headliner]			
2 No. 1 (3)	909130105		98
3 No. 2 (4)	909130140		98

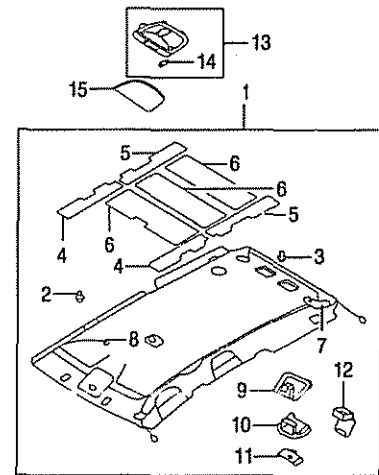


043-02085

4 Insulator, Side]	R/L 94474AG66A	30	20
5 Insulator, Center]	94474AG63A	34	82
6 Cord, Antenna]	86325AG26A	57	40
7 Harness, Roof] (a)	81801AG07A	62	38
8 Holder, Sunroof] (a)	94472AG120OR	16	78
9 Cover, Holder] (a)	94472AG500OR	13	17
10 Cap, Bell] (a)	94482FC501OR	9	80
(a) Order by Application			
11 Cover, Child Anchor]	94461AG02AOR	12	83
]Included w/Headliner Assy			
12 Garnish, Sunroof	94470AG02AOR	15	22
13 Lamp Assy, Room	84601AG01AOR	2	91.97
14 Bulb, Room Lamp (b)	84920AC050	2	1.95
(b) Included w/Room Lamp Assy			
15 Lens, Lamp	84602AG01A	48	38

INTERIOR TRIM WAGON W/O SUNROOF

R&I Headliner 2.0

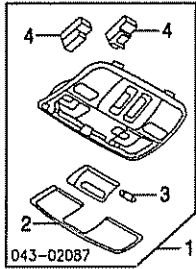


043-02086

1 Headliner Assy (a)	94411AG50AOR	2.0	411.13
(a) Order by Application			
Clip, Headliner]			
2 No. 1 (3)	909130105		98
3 No. 2 (4)	909130140		98
4 Insulator, Side Front]	R/L 94474AG60A	29	58
5 Insulator, Side Rear]	R/L 94474AG61A	24	60
6 Insulator, Center] (3)	94474AG62A	35	52
7 Cord, Antenna]	86325AG26A	57	40
8 Harness, Roof] (a)	81801AG06A	57	77
9 Holder, Sunroof] (e)	94472AG120OR	16	78
10 Cover, Holder] (a)	94472AG500OR	13	17
11 Cap, Bell] (a)	94482FC501OR	9	80
(a) Order by Application			
12 Cover, Child Anchor]	94461AG02AOR	12	83
]Included w/Headliner Assy			
13 Lamp Assy, Room	84601AG01AOR	2	91.97
14 Bulb, Room Lamp (b)	84920AC050	2	1.95
(b) Included w/Room Lamp Assy			
15 Lens, Lamp	84602AG01A	48	38

OVERHEAD CONSOLE W/SUNROOF

R&I Overhead Console Assy3

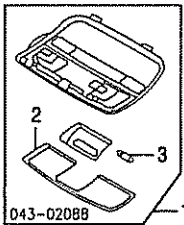


1 Console Assy, Overhead			
Sedan	84621AG09A	.3	182.78
Wagon	84621AG11A	.3	182.78
2 Lens, Lamp	92153AG01A		48.38
3 Bulb (2)	84920AC050	.1	1.95
4 Switch, Sunroof (a) (2)	83341AG010	.2	19.58

*Included w/Overhead Console Assy
(a) Order by Application*

OVERHEAD CONSOLE W/O SUNROOF

R&I Overhead Console Assy	3
---------------------------	---



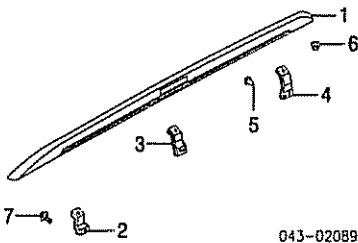
1 Console Assy, Overhead			
Sedan	84621AG08A	.3	182.78
Wagon	84621AG10A	.3	182.78
2 Lens, Lamp	92153AG01A		48.38
3 Bulb (2)	84920AC050	.1	1.95

*Included w/Overhead Console Assy
(a) Order by Application*

ROOF LUGGAGE RACK

R&I Luggage Rack Assy	#.8
R&R Luggage Rack Complete (Includes R&I)	#1.0

#w/Headliner Removed



1 Rail, Luggage Rack			
Legacy	R 91151AG04A	#.4	143.20
	L 91151AG05A	#.4	143.48
Outback	R 91151AG02A	#.4	196.10
	L 91151AG03A	#.4	144.65

#w/Headliner Removed

2 Bracket, Front Rail	R 91165AG06A9P	#.1	12.75
	L 91165AG07A9P	#.1	12.75
3 Bracket, Center Rail	R 91165AG08A9P	#.1	10.42
	L 91165AG09A9P	#.1	10.42
4 Bracket, Rear Rail	R 91165AG10A9P	#.1	10.50
	L 91165AG11A9P	#.1	10.50

#w/Headliner Removed, Not Included in R&I/R&R Luggage Rack Complete

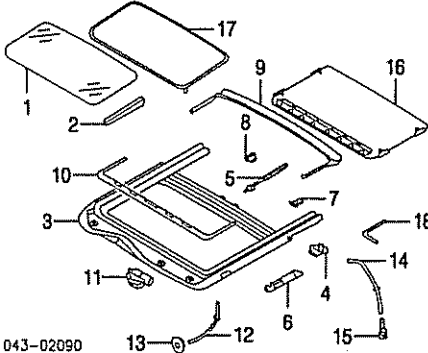
5 Clip, Bracket (3/Side)	R/L 91017GA400	.70	
6 Nut, Flange (3/Side)	R/L 902370025	.60	
7 Screw, Mounting (3/Side)	R/L 047406126	1.18	

SUNROOF SEDAN

O/H Sunroof Assy	#3.0
------------------	------

#w/Headliner Removed

NOTE: All Parts in this section are included in overhaul unless noted otherwise.



1 Glass, Sunroof	65430AG02A	1.0	349.95
2 Cover, Glass	R/L 65407AG04A		24.65
3 Rail, Roof	65420AG01A	#2.5	303.83

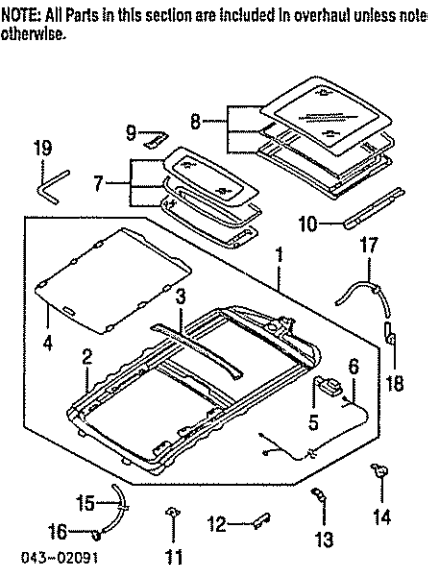
#w/Headliner Removed

4 Cap, End	R 65422AG00A	7.08	
	L 65422AG01A	7.08	
5 Guide, Cable	R 65441AG00A	32.83	
	L 65461AG00A	26.00	
6 Bracket, Sunroof Rear	R 65403AG03A	76.98	
	L 65403AG04A	76.98	
7 Spacer, Support	R 65461AG00A	26.00	
	L 65461AG01A	26.00	
8 Drain, Sunroof	R 65417AG02A	3.58	
	L 65417AG03A	3.58	
9 Channel, Drain	65417AG01A	52.63	
10 Deflector, Air	65471AG01A	.3	86.87
11 Motor, Sunroof	65450AG01A	.8	148.17
12 Tube, Front Drain	R/L 65475AG02A		7.32
13 Grommet, Front Tube	R/L 65455AG00A		1.82
14 Tube, Rear Drain	R/L 65475AG03A		8.23
15 Grommet, Rear Drain	R/L 65454A020		14.42
16 Sunshade, Sunroof	65470AG01AOR	.6	113.53
17 Weatherstrip, Sunroof	65467AG00A	2	47.07
18 Handle, Sunroof	65427AG00A		1.54

WAGON

O/H Sunroof Assy	#4.0
------------------	------

#w/Headliner Removed



1 Sunroof Assy	65410AG00AOR	3.0	658.27
2 Rail, Sunroof	65434AG00A	3.0	94.88
3 Channel, Drain	65417AG00A		50.82
4 Sunshade, Sunroof	65470AG00AOR	.6	348.97
5 Motor, Sunroof	65450AG02A	.8	236.82
6 Harness, Sunroof	65480AG00A		48.38

Included w/Sunroof Assy

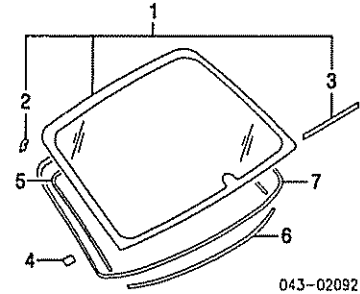
7 Glass, Front Sunroof	65430AG00A	142.80	
8 Glass, Rear Sunroof	65430AG01A	213.72	
9 Cover, Glass Front	R 65407AG00A	16.95	
	L 65407AG01A	16.95	
	R 65407AG02A	18.32	
	L 65407AG03A	18.32	
10 Cover, Glass Rear	R/L 65468AG00A	12.30	
11 Shlm, Sunroof (R/Side)	R/L 65403AG00A	44.27	
12 Bracket, Front Sunroof	L 65403AG01A	50.40	
13 Bracket, Center Sunroof	R/L 65403AG05A	48.72	
14 Bracket, Rear Sunroof	R/L 65403AG02A	48.97	
15 Tube, Front Drain	R/L 65475AG00A	5.85	
16 Grommet, Front Tube	R/L 65455AG00A	1.82	
17 Tube, Rear Drain	R/L 65475AG01A	7.62	
18 Grommet, Rear Tube	R/L 65454A020	14.42	
19 Handle, Sunroof	65411KA000	2.92	

BACK WINDOW

Use Procedure Explanation 19 with the following text.

R&I Back Window Glass	#1.9
-----------------------	------

#Includes Clean Up Old Adhesive as Necessary



1 Glass Assy, Back Window			
Subaru	65109AG08A	#1.5	329.95
NAGS	FB22363G1N	#1.5	0.00

#Includes Clean Up Old Adhesive as Necessary

2 Pln, Glass	R/L 65135AG00A		5.02
3 Label, Glass Caution	91572AG00A		6.55

Included w/Back Window Glass Assy

4 Spacer, Glass	R/L 65176AG00A		12.47
5 Weatherstrip, Glass	65145AG01A		13.50
6 Seal, Glass Lower	65145AG00A		6.87
7 Moulding, Glass	65158AG00A		25.22

QUARTER PANEL

Use Procedure Explanations 20 and 28 with the following text.

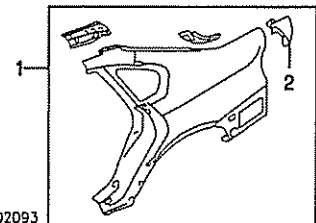
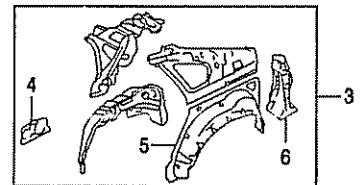
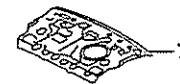
SHEET METAL SEDAN

Refinish Quarter Panel Outside	R/L	1.9
Add for Pillar	R/L	.5
Add to Edge	R/L	.5
Refinish Fuel Door		#.4

#Included in Refinish Right Quarter Panel

R&R Both Quarter Panels	26.0
R&R Roof & Both Quarter Panels	
w/Sunroof	36.5
w/o Sunroof	35.5
R&R Rear Body Panel & Both Quarter Panels	27.4
R&R Roof, Both Quarter Panels & Rear Body Panel	
w/Sunroof	37.9
w/o Sunroof	36.9

Add to R&R Quarter Panel	
To R&I Back Glass	.4
To R&I Quarter Glass	R/L .2



1 Panel Assy, Outer Quarter			
Legacy	R 51490AG08A9P	#15.0	247.43
	L 51490AG09A9P	#14.5	244.27
Outback	R 51490AG06A9P	#15.0	247.43
	L 51490AG07A9P	#14.5	244.27

#Deduct 5.0 w/Roof Removed, Deduction Includes Common Surfaces & Included Operations

2 Panel, Rear End	R 51445AG02A9P		37.82
	L 51445AG03A9P		37.82

Included w/Outer Quarter Panel Assy

3 Panel Assy, Inner Quarter	R 51510AG08A9P	s 6.5	323.33
	L 51510AG09A9P	s 6.5	334.63
4 Reinf, Rear Rocker (a)	R 51572AG31A9P	s 1.0	21.97
	L 51572AG32A9P	s 1.0	21.97

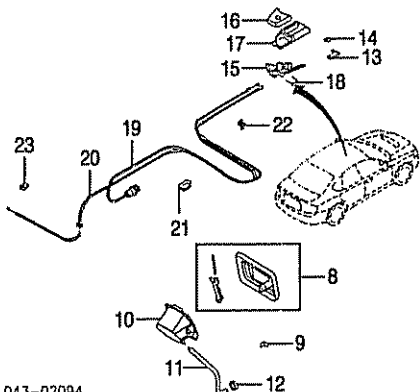
SUBARU LEGACY/OUTBACK 2005

QUARTER PANEL Cont'd

SHEET METAL

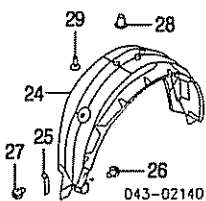
SEDAN Cont'd

5 Panel, Wheelhouse Inner (a)	R 51560AG00A9P	s	4.5	88.22
	L 51569AG01A9P	s	4.5	145.70
6 Reinf, Inner Wheelhouse (a)	R 51572AG14A9P	s	2.0	29.38
	L 51572AG15A9P	s	2.0	29.38
<i>(a) Included w/Inner Quarter Panel Assy</i>				
7 Panel, Package Tray	53105AG01A9P		4.0	152.02



043-02094

8 Door, Fuel	57601AG00A9P	3	35.80
9 Spring, Fuel Door	57651AG00A		1.82
10 Reinf, Fuel Door	51478AG00A		14.57
11 Hose, Drain	51485FC000		5.02
12 Grommet, Hose	90321AC050		.88
13 Fuel Door Knob, Opener			
Black	57346AG02AJC	1.62	1.62
Ivory	57346AG02AWA		
14 Luggage Lid			
Black	57346AG00AJC	1.98	1.98
Ivory	57346AG00AWA	1.98	1.98
15 Handle, Opener Cover, Handle	57340AG05A	20.62	
16 Front			
Black	57345AG02AJC	43.95	43.95
Ivory	57345AG02AWA	43.95	43.95
17 Rear			
Black	57345AG04AJC	43.78	43.78
Ivory	57345AG04AWA	43.78	43.78
18 Bracket, Handle Cable, Door Release	57331AG00A	.80	
19 Fuel Door	57330AG07A	1.5	18.27
20 Luggage Lid	57330AG06A	1.5	16.13
21 Protector, Cable	57332AG00A		.74
22 Clip, Cable Front (2)	909205106		1.18
23 Clip, Cable Rear (2)	57317GA070		1.75



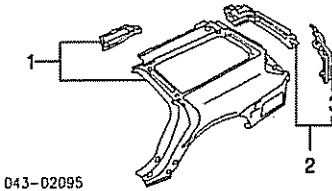
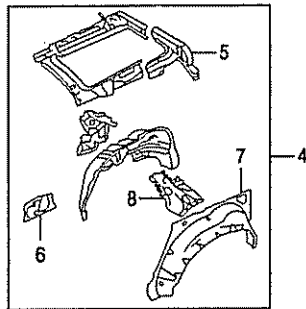
043-02140

24 Liner, Quarter	R 59122AG02A	4	92.22
	L 59122AG03A	4	92.22
25 Plate, Lower Mounting	R 59123AG020		5.38
	L 59123AG030		5.38
26 Clip, No. 1 (b)	R/L 909130067		.98
<i>(b) As Required</i>			
27 Clip, No. 2 (3/Slide)	R/L 909130051		.98
28 Grommet, Liner	R/L 91084AA010		1.78
29 Screw, Mounting	R/L 904560009		.94

SHEET METAL

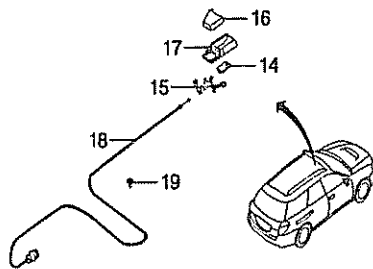
WAGON

Refinish Quarter Panel Outside	R/L	1.9
Add for Pillar	R/L	5
Add to Edge	R/L	5
Refinish Fuel Door		8.4
<i>#Included In Refinish Right Quarter Panel</i>		
R&R Both Quarter Panels		23.5
R&R Roof & Both Quarter Panels		
w/Sunroof		36.5
w/o Sunroof		35.5
R&R Rear Body Panel & Both Quarter Panels		25.0
R&R Roof, Both Quarter Panels & Rear Body Panel		
w/Sunroof		38.0
w/o Sunroof		37.0
Add to R&R Quarter Panel		
To R&I Quarter Glass	R/L	.2



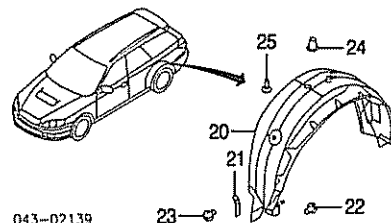
043-02095

1 Panel, Outer Quarter			
Legacy	R 51490AG11A9P	#13.0	223.35
	L 51490AG10A9P	#12.5	229.40
Outback	R 51490AG12A9P	#13.0	229.40
	L 51490AG13A9P	#12.5	223.35
<i>#Deduct 3.5 w/Roof Removed, Deduction Includes Common Surfaces & Included Operations</i>			
2 Panel Assy, Rear End	R 51479AG00A9P	#2.5	46.17
	L 51479AG01A9P	#2.5	46.17
3 Reinforcement, Rear Panel	R 51472AG06A9P	#1.5	144.08
	L 51472AG07A9P	#1.5	143.45
<i>#Included w/Rear End Panel Assy</i>			
<i>#w/Rear Cover & Combination Lamp Assy Removed</i>			
4 Panel Assy, Inner Quarter	R 51510AG02A9P	s	5.5
	L 51510AG03A9P	s	5.5
5 Pillar, Rear (a)	R 51512AG16A9P	s	285.68
	L 51512AG17A9P	s	285.68
6 Reinf, Center Pillar (a)	R 51572AG31A9P	s	21.97
	L 51572AG32A9P	s	21.97
7 Panel, Wheelhouse Inner (a)	R 51560AG00A9P	s	2.5
	L 51569AG01A9P	s	2.5
8 Reinf, Inner Wheelhouse (a)	R 51572AG02A9P	s	34.82
	L 51572AG03A9P	s	34.82
<i>(a) included w/Inner Quarter Panel Assy</i>			



043-02096

9 Door, Fuel	57601AG01A9P	3	36.45
10 Spring, Fuel Door	57651AG00A		1.82
11 Reinf, Fuel Door	51478AG00A		14.57
12 Hose, Drain	51485FC000		5.02
13 Grommet, Hose	90321AC050		.88
14 Knob, Fuel Door Opener			
Black	57346AG01AJC	1.93	1.93
Ivory	57346AG01AWA	1.93	1.93
15 Handle, Opener Cover, Handle	57340AG04A	11.77	
16 Front			
Black	57345AG02AJC	43.95	43.95
Ivory	57345AG02AWA	43.95	43.95
17 Rear			
Black	57345AG03AJC	42.30	42.30
Ivory	57345AG03AWA	42.30	42.30
18 Cable, Fuel Door Release	57330AG07A	1.5	18.27
19 Clip, Cable (2)	909205106		1.18



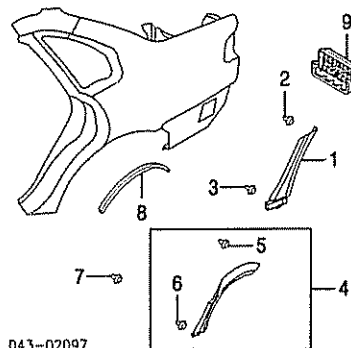
043-02139

20 Liner, Quarter	R 59122AG02A	4	92.22
	L 59122AG03A	4	92.22
21 Plate, Lower Mounting	R 59123AG020		5.38
	L 59123AG030		5.38
22 Clip, No. 1 (b)	R/L 909130067		.98
<i>(b) As Required</i>			
23 Clip, No. 2 (3/Slide)	R/L 909130051		.98
24 Grommet, Liner	R/L 91084AA010		1.78
25 Screw, Mounting	R/L 904560009		.94

EXTERIOR TRIM

SEDAN

Refinish Quarter Moulding	R/L	4
Refinish Quarter Garnish Assy	R/L	4
R&I Quarter Moulding	R/L	2
R&I Quarter Garnish Assy	R/L	2
R&I Wheel Opening Protector	R/L	2



043-02097

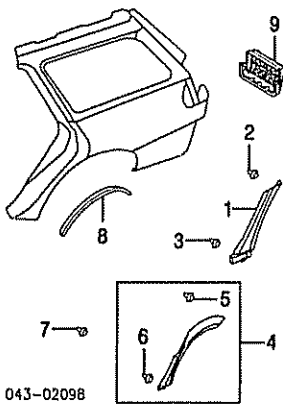
1 Moulding, Quarter			
Legacy			
Atlantic Blue	R 91021AG00ABE	2	58.88
	L 91021AG01ABE	2	58.88
Black	R 91021AG00AWW	2	58.88
	L 91021AG01AWW	2	58.88
Regal Blue	R 91021AG00ABH	2	58.88
	L 91021AG01ABH	2	58.88
Silver	R 91021AG00ATE	2	58.88
	L 91021AG01ATE	2	58.88
White	R 91021AG00AWH	2	58.88
	L 91021AG01AWH	2	58.88
Paint to Match	R 91021AG00ANN	2	58.88
	L 91021AG01ANN	2	58.88
2 Clip, No. 1 Moulding (a)	R/L 909130014		.98
3 Clip, No. 2 Moulding (a)	R/L 909130110		.98
<i>(a) As Required</i>			
4 Garnish Assy, Quarter			
Outback			
Atlantic Blue	R 91112AG24ABE	2	170.85
	L 91112AG25ABE	2	170.85
Black	R 91112AG24AWW	2	169.82
	L 91112AG25AWW	2	169.82
Gold	R 91112AG24AGA	2	170.57
	L 91112AG25AGA	2	170.57
Gray	R 91112AG24ALY	2	169.37
	L 91112AG25ALY	2	169.37
Green	R 91112AG24AFY	2	169.37
	L 91112AG25AFY	2	169.37
Red	R 91112AG24ARO	2	170.10
	L 91112AG25ARO	2	170.10
Silver	R 91112AG24ATE	2	169.82
	L 91112AG25ATE	2	169.82
White	R 91112AG24AWH	2	207.15
	L 91112AG25AWH	2	207.15
Paint to Match	R 91112AG24ANN	2	129.10
	L 91112AG25ANN	2	129.10
5 Clip, No. 1 Garnish (3/Slide)	R/L 909130113		.98
6 Clip, No. 2 Garnish	R/L 909130110		.98
<i>#Included w/Quarter Garnish Assy</i>			
7 Clip, Garnish (a)	R/L 909130688		2.47
<i>(a) As Required</i>			
8 Protector, Wheel Opening	R/L 91022AG05A	2	8.63
9 Grille, Air Vent			
Legacy	R/L 72651AG00A	#.2	20.08
Outback	R/L 72651AG04A	#.2	19.78
<i>#w/Rear Cover Removed</i>			

EXTERIOR TRIM

WAGON

Refinish Quarter Moulding	R/L	4
Refinish Quarter Garnish Assy	R/L	4

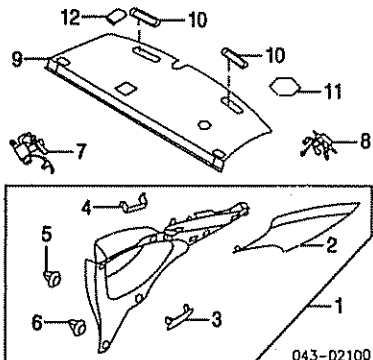
R&I Quarter Moulding	R/L	2
R&I Quarter Garnish Assy	R/L	2
R&I Wheel Opening Protector	R/L	2



043-02098

1 Moulding, Quarter			
Legacy			
Atlantic Blue	R 91021AG00ABE	2	58.88
	L 91021AG01ABE	2	58.88
Black	R 91021AG00AVW	2	58.88
	L 91021AG01AVW	2	58.88
Regal Blue	R 91021AG00ABH	2	58.88
	L 91021AG01ABH	2	58.88
Silver	R 91021AG00ATE	2	58.88
	L 91021AG01ATE	2	58.88
White	R 91021AG00AWH	2	58.88
	L 91021AG01AWH	2	58.88
Paint to Match	R 91021AG00ANN	2	58.88
	L 91021AG01ANN	2	58.88
2 Clip, No. 1 Moulding (a)	R/L 909130014		98
3 Clip, No. 2 Moulding (a)	R/L 909130110		98
<i>(a) As Required</i>			
4 Garnish Assy, Quarter			
Outback			
Atlantic Blue	R 91112AG26ABE	2	170.85
	L 91112AG27ABE	2	170.85
Black	R 91112AG26AVW	2	169.62
	L 91112AG27AVW	2	169.62
Gold	R 91112AG26AGA	2	170.57
	L 91112AG27AGA	2	170.57
Gray	R 91112AG26ALY	2	169.37
	L 91112AG27ALY	2	169.37
Green	R 91112AG26AFY	2	169.37
	L 91112AG27AFY	2	169.37
Red	R 91112AG26ARO	2	170.10
	L 91112AG27ARO	2	170.10
Silver	R 91112AG26ATE	2	169.82
	L 91112AG27ATE	2	169.82
White	R 91112AG26AWH	2	207.15
	L 91112AG27AWH	2	207.15
Paint to Match	R 91112AG26ANN	2	129.10
	L 91112AG27ANN	2	129.10
5 Clip, No. 1 Garnish (3/5/6)	R/L 909130113		98
6 Clip, No. 2 Garnish (a)	R/L 909130110		98
<i>(a) As Required</i>			
7 Clip, Garnish (a)	R/L 909130088		2.47
<i>(a) As Required</i>			
8 Protector, Wheel Opening	R/L 91022AG05A	2	8.63
9 Grille, Air Vent	R/L 72651AG01A	#2	63.67
<i>#w/Rear Cover Removed</i>			

INTERIOR TRIM SEDAN

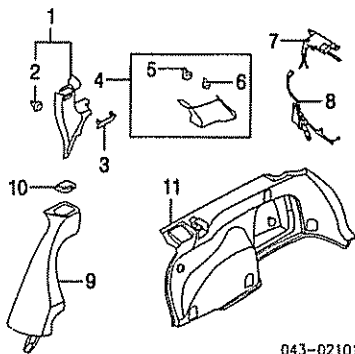


043-02100

1 Panel Assy, Upper Trim (a)	R 94013AG56AJC	5	72.05
	L 94013AG57AJC	5	72.05
<i>(a) Black listed, Order by Application</i>			
2 Cover, Upper Trim (a)	R 94053AG56AOR	2	44.57
	L 94053AG57AOR	2	44.57
3 Cap, Upper Trim (a)	R 94067AG54AOR		3.37
	L 94067AG55AOR		3.37
4 Bracket, Upper Trim (a)	R 94080AG05A		65.05

5 Clip, No. 1 Trim (2/5/6)	R/L 94080AG07A		65.05
	R/L 909130105		98
6 Clip, No. 2 Trim (a)	R/L 909130078		2.63
<i>(a) Included w/Upper Trim Panel Assy</i>			
7 Amplifier, Antenna	86327AG26A		95.67
8 Suppressor, Noise	86341AG26A		49.38
<i>Panel Assy, Side Trim-See Rear Body Section</i>			
9 Trim, Package Tray			
Black	65512AG05AJC	#4	128.33
Ivory	65512AG05AWA	#4	128.33
<i>#w/Upper Trim Panel Assy Removed</i>			
10 Grille, Vent			
Black	R 65522AG02AJC		11.03
	L 65522AG03AJC		11.03
Ivory	R 65522AG02AWA		11.03
	L 65522AG03AWA		11.03
11 Cover, Speaker	86314AG06A		13.83
Speaker, Radio	N.A.		0.00
12 Cap, Child Seat Anchor (3)			
Black	65546AG03AJC		11.88
Ivory	65546AG03AJC		11.88

INTERIOR TRIM WAGON

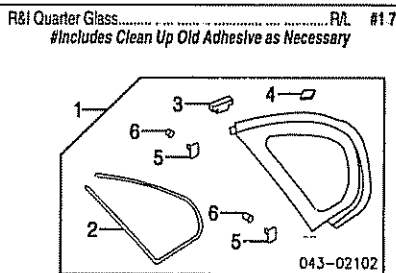


043-02101

1 Panel Assy, Upper Trim (a)			
Front	R 94013AG06AJC	3	58.88
	L 94013AG07AJC	3	58.88
<i>(a) Black listed, Order by Application</i>			
2 Clip, Upper Trim (2/5/6)	R/L 909130105		98
<i>(a) Included w/Upper Trim Panel Assy</i>			
3 Cap, Upper Trim	R 94067AG54AOR		3.37
	L 94067AG55AOR		3.37
4 Panel Assy, Upper Trim (a)			
Rear	R 94015AG02AOR	2	29.17
	L 94015AG03AOR	2	29.17
<i>(a) Black listed, Order by Application</i>			
5 Clip, No. 1 Trim (b)	R/L 909130105		98
6 Clip, No. 2 Trim (b)	R/L 909130078		2.63
<i>(b) Included w/Upper Trim Panel Assy</i>			
7 Amplifier, Antenna	86327AG06A		71.88
8 Suppressor, Noise	86341AG06A		45.75
9 Panel, Lower Trim	R 94088AG28AJC	6	143.73
	L 94088AG29AJC	6	143.73
10 Cap, Seat Belt (a)	R 94053AG18AJC		12.10
	L 94053AG19AJC		12.10
<i>(a) Black listed, Order by Application</i>			
11 Panel, Side Trim-See Rear Body Section			

QUARTER GLASS

SEDAN



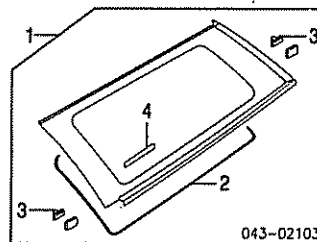
043-02102

1 Glass Assy, Quarter			
Subaru	R 65222AG04A	#1.5	149.95
	L 65222AG05A	#1.5	149.95
NAGS	R/L F022321-2G7N	#1.5	0.00
<i>#Includes Clean Up Old Adhesive as Necessary</i>			
2 Weatherstrip, Glass (a)	R/L 65245AG05A		9.55
3 Seal, Glass (a)	R/L 65277AG000		8.88
4 Clip, Glass (a) (5/6/7)	R/L 65225AC020		1.04
5 Pin, Locator (a) (2/5/6)	R/L 99045AC010		1.58
6 Cap, Pin (a)			
Upper	R/L 99045AC020	1	52
Lower	R/L 99045AC030	1	52
<i>(a) Included w/Quarter Glass Assy</i>			

WAGON

R&I Quarter Glass	R/L	#1.7
-------------------	-----	------

#Includes Clean Up Old Adhesive as Necessary



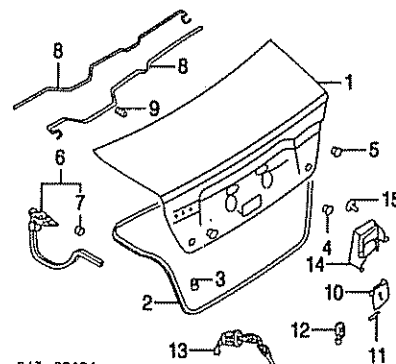
043-02103

1 Glass Assy, Quarter			
Subaru	R 65210AG08A	#1.5	219.90
	L 65210AG09A	#1.5	219.90
NAGS			
Solar	R/L F022366-7GTY	#1.5	0.00
Non-Solar	R/L F022366-9GTY	#1.5	0.00
<i>#Includes Clean Up Old Adhesive as Necessary</i>			
2 Weatherstrip, Glass (a)	R/L 65245AG00A		11.85
3 Fastener, Glass (2/5/6)	R/L 65245AG00A		3.42
4 Decal, Glass (a)	R/L 93063AG00A		2.30
<i>(a) Included w/Quarter Glass Assy</i>			

LUGGAGE LID

Use Procedure Explanations 24 and 28 with the following text.

Refinish Luggage Lid Outside		2.2
Add for Underside		1.1
Refinish Hinge	R/L	2
R&I Luggage Lid Assy		3
R&I Garnish		4
R&I Trim Panel		3



043-02104

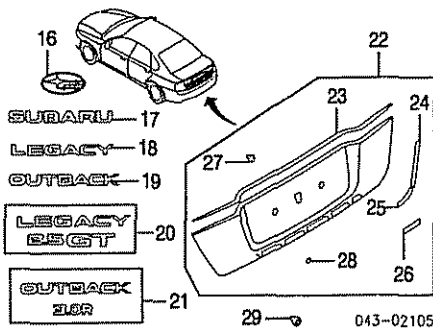
1 Lid, Luggage	57509AG00A9P	1.2	451.78
2 Weatherstrip, Lid			
Body Side	57532AG01A	.4	42.38
3 Stopper, Lid	R/L 57533AG000		4.07
4 Grommet (2/5/6)	R/L 96056FA010		1.70
5 Plug, Hole	R/L 909400011		.54
6 Hinge Assy, Lid	R 57520AG0009P	#3	49.00
	L 57520AG0109P	#3	49.00
<i>#w/Package Tray & Luggage Lid Removed</i>			
7 Stopper, Hinge (a)	R/L 57533AG021		1.98
<i>(a) Included w/Lid Hinge Assy</i>			
8 Bar, Torsion	R 57529AG04A9P	#6	42.75
	L 57529AG05A9P	#6	42.80
<i>#R&R Complete</i>			
9 Support, Torsion Bar	22319KA000		1.28
10 Lock, Lid	57530AG010	3	24.52
11 Cover, Lock	57534AG000		2.47
12 Striker, Latch	57531AG000	2	5.72
13 Cylinder, Lid Lock (a)	57449AG00A		42.92
<i>(a) Included w/Complete Lock Set-listed in Steering Wheel/Column Section</i>			
<i>Cable, Door Release-See Quarter Panel Section</i>			
14 Handle, Inside	57560AG000		68.58
15 Clip, Handle (4)	99045AE03AMA		3.53

Illustration Located in Next Column

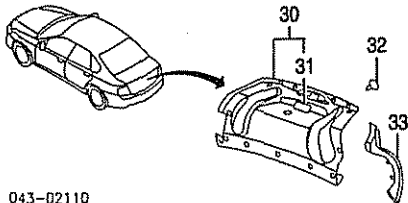
16 Emblem (Adhesive)	93033AG010	2	40.03
Nameplate (Adhesive)			
"SUBARU"	93073AG160	2	28.60
"LEGACY"	N.A.	2	0.00
"OUTBACK"	93073AG080	2	428.50
"LEGACY 2.5 GT"	93073AG180	2	45.75
"OUTBACK 3.0R"	93073AG230	2	40.03
22 Garnish Assy	91112AG21ANN	.4	102.45
23 Seal, Upper (c)	R/L 91161AG110		1.34
24 Seal, Side (c)	R/L 91161AG120		.84
25 Seal, Side Lower (c)	R/L 91161AG200		5.52
26 Seal, Lower (c) (2)	R/L 91161AG150		1.72
27 Clip, Garnish (c)	909130088		2.47

SUBARU LEGACY/OUTBACK 2005

LUGGAGE LID Cont'd



28 Seal, Screw (c) (4)	91161AG180	5.77
(c) Included w/Garnish Assy		
29 Grommet (4)	909300059	.60



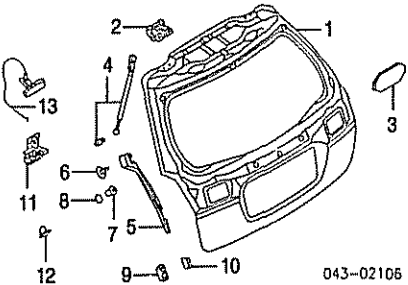
30 Panel Assy, Trim	94511AG16A	3	66.70
31 Cover, Inside Handle (d)	94516AG09A		06.00
(d) Included w/Trim Panel Assy			
32 Clip, Trim (30)	99045AE03AMA		3.53
33 Cover, Hinge	R 94516AG05A		16.70
	L 94516AG06A		16.67

LIFTGATE

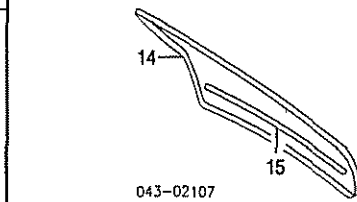
Use Procedure Explanations 25 and 28 with the following text

SHEET METAL

Refinish Liftgate Outside	2.7
Add for Underside	1.2
Refinish Outside Handle	.4
Refinish Hinge	RL 2
R&I Outside Handle	#.5
#Includes R&I/R&R Trim Panel Assy	
R&I Liftgate Assy	.7
Add to R&R Liftgate Assy	
To Transfer Glass	.8
w/Spoiler	.3



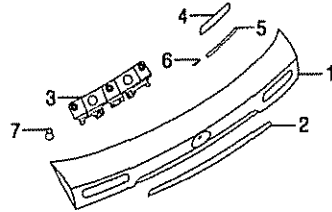
1 Shell, Liftgate	R/L 60809AG10A9P	4.5	518.85
2 Hinge, Liftgate	R/L 60870AG00A9P	#.2	11.48
#w/Liftgate Removed			
3 Damper, Liftgate	61083AG00A		14.15
#As Required			
4 Stay, Liftgate	R 63269AG000	.3	73.53
	L 63269AG010	.3	73.53
	R 63134AG00A	17.90	
	L 63134AG01A	17.90	
5 Cover, Liftgate Side	R/L 794070390	1	1.34
6 Clip, Cover	R/L 63262AG10A	.1	1.14
7 Stopper, Liftgate	R/L 57253AA031	.59	
8 Protector, Stopper Buffer, Liftgate			
9 Body Side	R/L 63112AG02A	.1	41.68
	R 63112AG000	1	2.47
	L 63112AG010	.1	2.47
10 Gate Side	R 63032AG00A	#.2	232.02
11 Latch & Actuator	#w/Trim Panel Assy Removed		
12 Striker, Latch	63254AG00A	.2	3.05
13 Handle, Outside	63160AG00A	#.2	35.67
#w/Trim Panel Assy Removed			



14 Weatherstrip, Liftgate Body Side	63516AG00A	.6	29.05
15 Weatherstrip, Lower Body Side	63516AG01A	.2	16.78

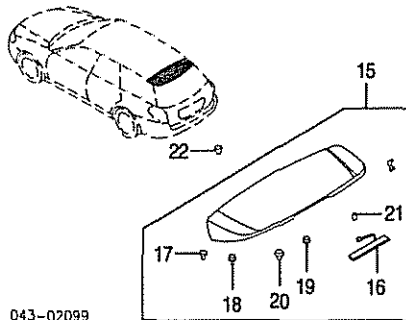
EXTERIOR TRIM

Refinish Finisher Panel	.8
Refinish Spoiler	1.0
R&I Finisher Panel	#.8
#Includes R&I/R&R Trim Panel Assy	
R&I Spoiler Assy	.3



SUBARU	9	8
LEGACY	10	
OUTBACK	11	
OUTBACK BSR XT	12	
		14

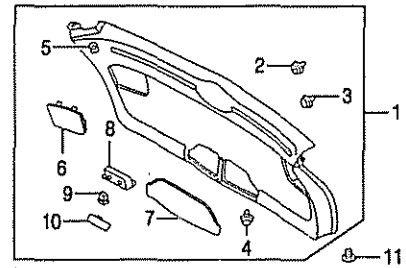
1 Panel, Finisher (P)	84923AG050NN	#.4	132.82
(P) Paint to Match			
#w/Trim Panel Assy Removed			
2 Moulding, Finisher	84957AG010		97.02
3 Bracket, Finisher Protector, Panel	84927AG130		38.18
4 No. 1 (2)	84971AG000		9.55
5 No. 2 (2)	84971AG010		9.55
6 No. 3 (3)	84971AG030		8.85
7 Bolt, Panel (a) (b)	901700149		2.97
(a) As Required			
(b) Order by Application			
8 Emblem (Adhesive)	93033AG000	.2	34.32
Nameplate (Adhesive)			
9 "SUBARU"	93073AG160	.2	28.60
"LEGACY"	N.A.	.2	0.00
"OUTBACK"	93073AG060	.2	28.60
"OUTBACK 2.5 XT"	93073AG210	.2	45.75
"OUTBACK 3.0R"	93073AG250	.2	40.03
"LLBean"	93073AG110	.2	42.47



15 Spoiler Assy	96031AG01ANN	#.4	293.20
#Includes R&R High Mount Stop Lamp			
16 Lamp Assy, Stop (c)-See Rear Lamps Section			
Bolt, Spoiler (c)			
17 No. 1	901120120		98
18 No. 2 (2)	901700151		1.98
19 No. 3 (3)	901120128		1.98
20 Clip, Pin (c) (4)	909130125		98
21 Cap, Nut (c) (3)	902450029		1.54
(c) Included w/Spoiler Assy			
22 Cap, Spoiler (2)	909080000		.40

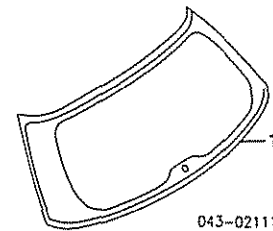
INTERIOR TRIM

R&I Trim Panel Assy	.4
---------------------	----



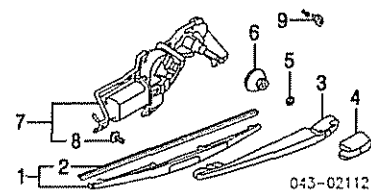
1 Panel Assy, Trim			
Black	94320AG02AJC	.4	128.93
Ivory	94320AG02AWA	.4	128.93
2 Clip, No. 1 Trim (8)	909130096		98
3 Clip, No. 2 Trim (4)	909130105		98
4 Grommet (1)	R/L 909130139		98
5 Holder, Trim (1)	R/L 94363AG01A		3.87
6 Cap, Trim (1)			
Black	R 94381AG04AJC		7.20
	L 94381AG05AJC		7.20
Ivory	R 94381AG04AWA		7.20
	L 94381AG05AWA		7.20
7 Cap, Emergency (1)	94380AG02AJC		6.50
8 Trim, Inner Handle (1)	94341AG01AJC		5.38
9 Grommet, Handle (2)	661179000		.44
10 Cap, Handle (1)	94380AG03AJC		3.78
(1) Included w/Trim Panel Assy			
11 Clip, Upper Side (3/Side)	R/L 99045AE03AMA		3.53

GLASS & PARTS



1 Glass, Liftgate (1)			
Subaru	63011AG02A	#2.5	481.06
NAGS			
Solar	FB22370GTN	#2.5	0.00
Non-Solar	FB22371GTN	#2.5	0.00
#Includes Moulding			
#Includes Clean Up Old Adhesive as Necessary			

WIPER SYSTEM



1 Blade Assy, Wiper	86542AG09A	.2	14.95
2 Insert, Blade (1)	SOA591U314R	.1	4.95
#Included w/Wiper Blade Assy			
3 Arm, Wiper	86532AG09A	#.2	19.95
#Includes R&R Wiper Blade Assy or Insert			
4 Cap, Wiper Arm	86538AG05A		4.37
5 Nut, Wiper Arm	021806000		.40
6 Cap, Pivot	86535AG01A		7.48
7 Motor Assy, Wiper	86510AG09A	#.4	116.45
#w/Trim Panel Assy Removed			
8 Bolt, Flange (a)	901000231		.88
(a) Included w/Wiper Motor Assy			
9 Nozzle, Spray	86640AG11A		8.18

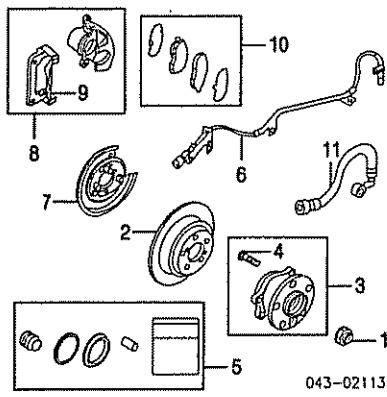
REAR SUSPENSION

Use Procedure Explanation 23 with the following text.

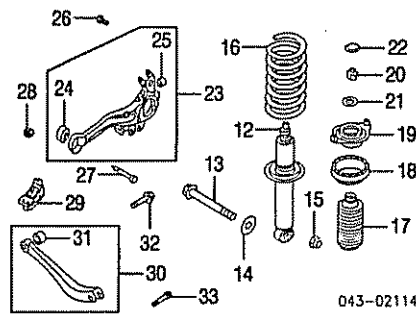
R&I Suspension/Sub-Frame Assy	m	3.4
R&I Suspension (One Side)	R/Lm	2.3
O/H Suspension (Includes R&I)		
One Side	R/Lm	4.2
Both Sides	m	8.0
Adjust Four Wheel Alignment	m	2.0
Adjust Rear Alignment	m	1.1
Bleed Brake System	m	.6

NOTE 1: R&I/R&R or O/H Does Not include alignment or bleed brake system.

NOTE 2: All Parts in this section are included in overhaul unless noted otherwise.



1 Nut, Hub	R/L 902170044	m	3.08
2 Rotor, Brake			
Legacy	R/L 26700AE080	m	#.6 94.95
Outback	R/L 26700AG01A	m	#.6 82.95
#R&R Both 1.0			
3 Hub Assy	R/L 28473AG00A	m	#1.8 123.77
#Includes R&R Rotor			
4 Bolt, Hub	R/L 28055AA002	m	2.23
#Included w/Hub Assy			
5 Seal Kit			
Legacy	26697FC000	m	24.95
Outback	26697AG000	m	23.20
6 Sensor, Rear ABS-See ABS/Brakes Section			
7 Shield, Splash	R 26704AE040	m	#.2 76.55
	L 26704AE050	m	#.2 76.55
#w/Hub Removed			
8 Caliper Assy, Brake			
Legacy	R 26692AE040	m	#.5 221.23
	L 26692AE050	m	#.5 221.23
Outback	R 26692AG040	m	#.5 224.27
	L 26692AG050	m	#.5 224.27
#R&R Both .8, w/Rotor Removed Deduct 3			
9 Support, Caliper (a)			
Legacy	R/L 26625AE020	m	5 52.10
Outback	R/L 26625AG010	m	.5 52.10
(a) Included w/Brake Caliper Assy			
10 Pad Set, Brake			
Legacy	26696AE040	m	#1.0 75.70
Outback	26696AG010	m	#1.0 75.70
#Deduct .5 for Each Caliper Removed			
11 Hose, Brake			
Legacy	R/L 26541AE01A	m	#.3 12.67
Outback	R/L 26541AE06A	m	#.3 12.67
#w/Caliper Removed Deduct 2			



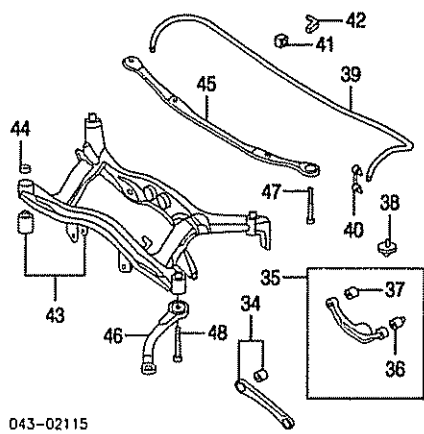
12 Strut			
Legacy	R/L 20365AG02A	m	#2.0 89.95
w/ Turbo	R/L 20365AG00A	m	#2.0 89.95
Outback	R/L 20365AG03A	m	#2.0 89.95
13 Bolt, Strut	R/L 901000177	m	3.95
14 Washer, Bolt	R/L 900335056	m	1.06
15 Nut, Bolt (b)	R/L 20550PA000	m	1.82
(b) Order by Application			
16 Spring (b)			
Legacy	R/L 20380AG01A	m	#2.0 38.30
Outback	R/L 20380AG11A	m	#2.0 40.70
(b) Order by Application			
17 Cover, Strut	R/L 20372AE00A	m	#2.0 3.17
18 Pad, Spring	R/L 20375AE00A	m	#2.0 7.70
19 Mount, Strut	R/L 20370AG00A	m	#2.0 18.60
#R&R One Side Complete, w/Trailing Arm Assy Removed Deduct 1.2, R&R Both Sides 3.8			
20 Nut, Self-Locking (2/Side)	R/L 902350001	m	1.74
21 Washer	R/L 031012000	m	.40
22 Cap, Strut	R/L 909400004	m	.80
23 Arm Assy, Trailing	R 20252AG00A	m	#2.4 158.38
	L 20252AG01A	m	#2.4 158.38
#Includes R&R Rotor, Hub & Splash Shield, R&R Both Sides 4.4			
24 Bushing, Front Link (c)	R/L 20254AE03A	m	#.3 17.53
25 Bushing, Rear Link (c) (2/Side)	R/L 20254AE02A	m	#.3 8.88
(c) Included w/Trailing Arm Assy			

#R&R One Side Complete, w/Trailing Arm Assy Removed, Not Included in O/H

26 Bolt, Front Link	R/L 901000175	m	3.08
27 Bolt, Rear Link (4/Side)	R/L 901000174	m	1.74
28 Nut, Front Bolt	R/L 20550AA010	m	6.97
29 Bracket, Trailing Arm			
Legacy	R 20540AE080	m	#.5 24.52
	L 20540AE090	m	#.5 24.52
Outback	R 20540AG060	m	#.5 27.77
	L 20540AG070	m	#.5 27.77

#Included in R&R Trailing Arm
#w/Trailing Arm Assy Removed Deduct .4, R&R Both Sides 1.4

30 Arm Assy, Lateral	R/L 20250AE01A	m	#.8 58.18
31 Bushing, Lateral Arm (d)	R/L 20254AE01A	m	#.2 10.47
(d) Included w/Lateral Arm Assy			
#w/Lateral Arm Assy Removed, Not Included in O/H			
32 Bolt, Cam	R/L 901700122	m	4.37
33 Bolt, Flange (b)	R/L 901000110	m	1.77
(b) As Required			



34 Link, Lateral Front	R/L 20250AE06A	m	#.6 74.95
#w/Trailing Arm Assy Removed Deduct .3, R&R Both Sides 1.0			
35 Link Assy, Upper Lateral			
Legacy	R 20250AE02A	m	#.8 92.87
	L 20250AE04A	m	#.8 92.87
Outback	R 20250AE09A	m	#.8 98.38
	L 20250AE10A	m	#.8 98.38
#w/Trailing Arm Assy Removed Deduct 5, R&R Both Sides 1.4			
36 Bushing, Lateral Link (e)	R/L 20254AE040	m	#.3 9.90
37 Bushing, Trailing Link (e)	R/L 20254AE02A	m	#.3 8.88
(e) Included w/Upper Lateral Link Assy			

#R&R One Side Complete, w/Lateral Link Removed, Not Included in O/H

38 Support, Link			
Legacy	R/L 20501AE00A	m	9.28
Outback	R/L 20501AE01A	m	10.92
39 Bar, Stabilizer			
Legacy	20451AG01A	m	#.6 51.97
Outback	20451AG05A	m	#.6 63.95
#Includes R&R Stabilizer Links, Brackets & Bushings, Not Included in O/H			

#Not Included in O/H

40 Link, Stabilizer	R/L 20470AE00C	m	#.3 16.92
41 Bushing, Bar			
Legacy	R/L 20464AE07A	m	#.3 13.53
Outback	R/L 20464AG02A	m	#.3 2.18
42 Bracket, Bushing			
Legacy	R/L 20466AG000	m	#.3 3.58
Outback	R/L 20466AG010	m	#.3 3.58

#R&R One Side Complete, Not Included in O/H
#Includes R&R Stabilizer Bar, Not Included in O/H

43 Sub-Frame	20152AG00A	m	#4.7 299.80
#Includes R&R Stabilizer Bar, Not Included in O/H			
44 Stopper, Sub-Frame			
Legacy	R/L 20176AE01A	m	3.40
Outback	R/L 20176AG01A	m	18.43

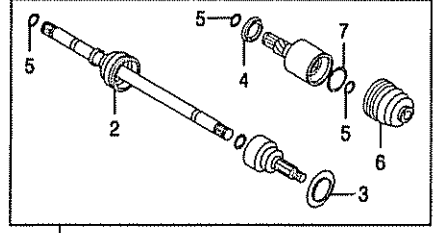
45 Support, Sub-Frame			
Upper			
Legacy	20157AG00A	m	#.5 27.28
Outback	20157AG040	m	#.5 32.67
Lower			
Legacy	R 20157AG02A	m	#.5 29.22
	L 20157AG03A	m	#.5 29.00
#Included in R&R Sub-Frame, Not Included in O/H			

47 Bolt, Upper Support (4/Side)			
Legacy	R/L 901000252	m	5.88
Outback	R/L 901000283	m	4.77
48 Bolt, Lower Support (2/Side)			
Legacy	R/L 901000252	m	5.88
Outback	R/L 901000283	m	4.77

REAR DRIVE AXLE

R&I Axle Shaft Assy (One Side)	R/Lm	#.3
O/H Axle Shaft Assy (Includes R&I)	R/Lm	#1.1
#w/Necessary Suspension Components Removed		

NOTE 1: R&I/R&R or O/H Does Not Include adjust wheel alignment.
NOTE 2: All Parts in this section are included in overhaul unless noted otherwise.



1 Shaft Assy, Axle			
2.5 GT, 2.5 GT Limited Model	R/L 28421AG01A	m	#.3 359.95
2.5i Model	R/L 28421AG00A	m	#.3 359.95
2.5i Limited Model	R/L 28421AG01A	m	#.3 359.95
2.5 XT, 2.5 XT Limited Model	R/L 28421AG01A	m	#.3 359.95
3.0R, 3.0R Limited Model	R/L 28421AG01A	m	#.3 359.95
L.L. Bean Model	R/L 28421AG01A	m	#.3 359.95
#w/Necessary Suspension Components Removed			

2 Boot, Outer			
2.5 GT, 2.5 GT Limited Model	R/L 28423AG00A	m	#.5 10.45
2.5i Model	R/L 28423AG000	m	#.5 00.00
2.5i Limited Model	R/L 28423AG000	m	#.5 10.45
2.5 XT, 2.5 XT Limited Model	R/L 28423AG000	m	#.5 10.45
3.0R, 3.0R Limited Model	R/L 28423AG00A	m	#.5 10.45
L.L. Bean Model	R/L 28423AG00A	m	#.5 10.45
#w/Axle Shaft Assy Removed			

3 Plate, Baffle			
Outer	R/L 28437AG000	m	8.07
Inner			
2.5 GT, 2.5 GT Limited Model	R/L 23233GA091	m	6.95
2.5i Model	R/L 28037FA000	m	8.07
2.5i Limited Model	R/L 23233GA091	m	6.95
2.5 XT, 2.5 XT Limited Model	R/L 23233GA091	m	6.95
3.0R, 3.0R Limited Model	R/L 23233GA091	m	6.95
L.L. Bean Model	R/L 23233GA091	m	6.95

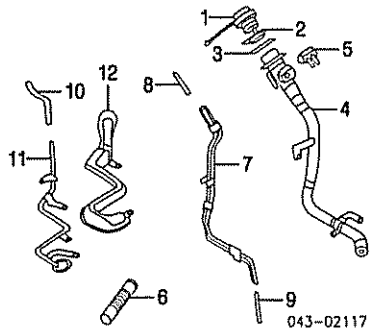
4 Ring, Snap			
No. 1			
2.5 GT, 2.5 GT Limited Model	R/L 723245020	m	8.07
2.5i Model	R/L 623205060	m	3.72
2.5i Limited Model	R/L 723245020	m	8.07
2.5 XT, 2.5 XT Limited Model	R/L 723245020	m	8.07
3.0R, 3.0R Limited Model	R/L 723245020	m	8.07
L.L. Bean Model	R/L 723245020	m	8.07
No. 2	R/L 72324010	m	4.73

6 Boot, Inner			
2.5 GT, 2.5 GT Limited Model	R/L 28023AC090	m	#.5 15.02
2.5i Model	R/L 28023AC010	m	#.5 20.17
2.5i Limited Model	R/L 28023AC090	m	#.5 15.02
2.5 XT, 2.5 XT Limited Model	R/L 28023AC090	m	#.5 15.02
3.0R, 3.0R Limited Model	R/L 28023AC090	m	#.5 15.02
L.L. Bean Model	R/L 28023AC090	m	#.5 15.02
#w/Axle Shaft Assy Removed			

7 Circlip (a)			
Included w/Axle Shaft Assy	R/L 723224060	m	7.22
8 Differential (a)			
Legacy	27011AA332R1	m	#1.7 R499.99
Outback	27011AA531	m	#1.7 1184.57
(a) Order by Application			
#w/Exhaust System Removed, Not Included in O/H			

FUEL TANK

R&I Fuel Tank	#1.7
#w/Rear Suspension/Sub-Frame Assy Removed	
NOTE: R&I/R&R Does Not Include drain and refill.	



1 Cap, Filler	42031AG00A	23.55
2 Ring, Filler	42056AA011	2.27
3 Packing, Filler	42060GA081	7.33
4 Pipe, Filler	42066AG04A	101.80
5 Valve, Filler	42084AE100	64.33
6 Hose, Filler	42075AG01A	85.30
7 Pipe, Evaporator	42068AG05A	28.68
8 Hose, Evaporator		
No. 1	42075AG39A	10.53
No. 2	42075AG46A	12.30

SUBARU LEGACY/OUTBACK 2005

FUEL TANK Cont'd

10 No. 3	42075AG40A		16.25
11 Pipe, Valve	42068AG04A		28.88
12 Cover, Pipe	42054AG02A		80.15

13 Tank, Fuel	42012AG02A	m #2.0	395.46
<i>#w/Rear Suspension/Sub-Frame Assy Removed</i>			
14 Strap, Fuel Tank	R 42017AG03A		29.33
	L 42017AG04A		30.17
15 Protector, Fuel Tank	R 42045AG01A		74.23
	L 42045AG02A		74.23
16 Bracket, Fuel Tank	R 42052AG25A		49.42
	L 42052AG26A		49.42
Cover, Fuel Tank			
17 w/Turbo	42054AG00A		103.57
18 w/o Turbo	42054AG00A		103.57
19 Pipe, Fuel Delivery	42074AG01A		31.80
20 Tube, Return	42074AG02A		42.10
21 Pump Assy, Fuel			
4 Cyl			
w/Turbo	42021AG04A	m #8	249.95
w/o Turbo (a)	42021AG06A	m #8	249.95
6 Cyl	42021AG05A	m #8	249.95
22 Pump, Fuel			
4 Cyl			
w/Turbo	42022AG04A	m #8	279.95
w/o Turbo (a)	42022AG06A	m #8	279.95
6 Cyl	42022AG05A	m #8	279.95
<i>(a) Order by Application</i>			
<i>#Included in R&R Fuel Tank</i>			
23 Level, Sensor	42081AG03A	m	77.77
<i>#Included w/Fuel Pump Assy</i>			
24 Gasket, Pump			
4 Cyl			
w/Turbo	42025AG04A	m	32.50
w/o Turbo (a)	42025AG05A	m	32.50
6 Cyl	42025AG04A	m	32.50
<i>(a) Order by Application</i>			
25 Retainer, Plate	42057AG000		15.52
26 Level Assy, Sensor	42081AG00A	m	62.92
27 Gasket, Sensor (a) (b)	42025AG02A	m	93.37
<i>(a) Order by Application</i>			
<i>(b) Included w/Sensor Level Assy</i>			
28 Cushion, Plate	42043AG050		21.77
29 Plate, Upper	42057AG010		25.05
30 Sensor Assy, Pressure	22627AA25A	m	107.82
31 Hose, Vacuum Upper (c)	99071AC610		16.47
32 Hose, Vacuum Lower (c)	99071AC780		30.25
<i>(c) Included w/Pressure Sensor Assy</i>			
33 Hose, Sensor	42075AG44A		15.68
34 Filter, Fuel Tank	42072AA120	m	5.97

REAR BODY

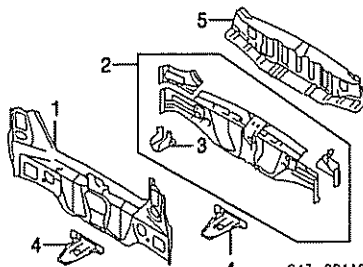
Use Procedure Explanations 26 and 28 with the following text.

SHEET METAL

Refinish Rear Body Panel Complete	1.5
Inside	1.0
Outside	1.0
Refinish Rear Floor Pan	1.0

Illustration Located in Next Column

1 Panel, Rear Body			
Sedan	52401AG01A9P	#6.0	157.92
<i>#Deduct 2.3 for Each Quarter Panel Removed, Deduction Includes Common Surfaces & Included Operations</i>			
2 Panel Assy, Rear Body			
Wagon			
Legacy	52419AG02A9P	#9.0	228.02

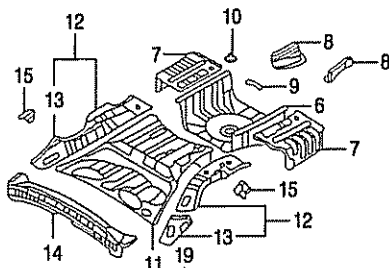


Outback	52419AG03A9P	#9.0	248.40
<i>#Deduct 2.0 for Each Quarter Panel Removed, Deduction Includes Common Surfaces & Included Operations</i>			

3 Bracket, Rear Bumper			
Wagon			
Legacy	R 52153AG76A9P		97.23
	L 52153AG77A9P		97.23
Outback	R 52152AG17A9P		96.12
	L 52152AG18A9P		96.12

<i>#Included w/Rear Body Panel Assy</i>			
4 Hook, Floor	52135AG24A9P		86.98

5 Panel, Rear Outer			
Wagon	52421AG12A9P	#6.0	91.97
<i>#Deduct 2.3 for Each Quarter Panel Removed, Deduction Includes Common Surfaces & Included Operations</i>			



6 Panel, Rear Floor	52122AG10A9P	#12.0	160.47
<i>#w/Rear Body Panel Removed, Deduct 2.0 for Each Inner Quarter Panel Assy Removed</i>			
7 Extension, Rear Floor			
Sedan	R 52123AG20A9P	1.5	96.43
	L 52123AG21A9P	1.5	95.40
Wagon	R 52123AG18A9P	1.5	101.38
	L 52123AG19A9P	1.5	101.38
8 Bracket, Muffler			
	R 52153AG95A9P		47.60
	L 52153AG96A9P		47.60
9 Plate, Lower			
	52136AG16A9P		13.28
10 Bracket, Spare Tire			
	52153PA181		24.32
11 Floor, Center-Not Serviced			
12 Extension Assy, Floor	R 52124AG06A9P		107.73
	L 52124AG07A9P		107.73
13 Plate, Center Floor (a)	R 52124AG12A9P		67.52
	L 52124AG13A9P		67.52

<i>(a) Included w/Floor Extension Assy</i>			
14 Crossmember, Front-Not Serviced			
15 Reinf, Center Floor	R 52153AG42A9P		28.63
	L 52153AG43A9P		28.83

16 Crossmember, No. 1-Not Serviced			
17 Crossmember, No. 2			
Sedan	52140AG03A9P		103.25
Wagon	52140AG02A9P		104.73
18 Crossmember, Rear	52140AG46A9P		108.98

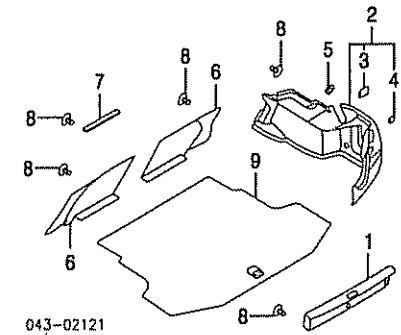
19 Rail Assy, Side			
Sedan			
Legacy	R 52150AG44A9P	s #8.0	342.02
	L 52150AG45A9P	s #8.0	342.02
Outback	R 52150AG88A9P	s #8.0	346.00
	L 52150AG89A9P	s #8.0	346.00
Wagon	R 52150AG32A9P	s #8.0	331.35
	L 52150AG33A9P	s #8.0	331.87

<i>#w/Rear Floor Pan Removed 2.0</i>			
20 Bracket, Suspension (b)			
	R 52153AG64A9P		83.73
	L 52153AG65A9P		83.73

21 Frame, Rear (b)			
Sedan			
Legacy	R 52150AG64A9P	s 3.0	90.40
	L 52150AG65A9P	s 3.0	90.40

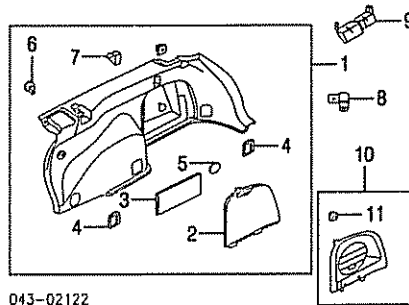
Outback	R 52150AG80A9P	s 3.0	94.18
	L 52150AG81A9P	s 3.0	94.18
Wagon	R 52150AG82A9P	s 3.0	86.73
	L 52150AG83A9P	s 3.0	86.73
<i>(b) Included w/Side Rail Assy</i>			
22 Sill, Side	R 52154AG12A9P		48.13
	L 52154AG13A9P		48.13
23 Hook, Tie-Down	R/L 57801AG04B9P		14.48

INTERIOR TRIM SEDAN



1 Panel, Rear Trim	94511AG14A		2	86.08
2 Panel Assy, Side Trim	R 94511AG13A		3	85.50
	L 94511AG14A		3	85.08
3 Cover, Side Upper	R/L 94516AG07A			50.62
4 Cover, Lamp	R/L 94516AG08A			50.62
<i>#Included w/Side Trim Panel Assy</i>				
5 Hook, Trunk	R/L 94576AG02AMA			1.38
6 Trim, Bulkhead	R 94511AG10A			37.53
	L 94511AG11A			37.53
7 Trim, Upper Bulkhead	94511AG12A			16.08
8 Clip, Trim (30)	99045AE03AMA			3.53
9 Mat, Trunk	94514AG01A			94.40

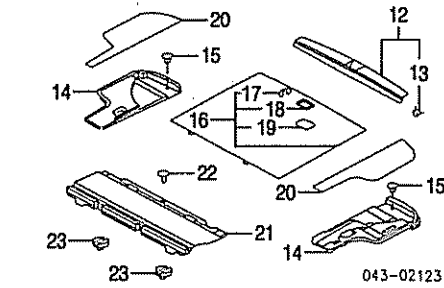
INTERIOR TRIM WAGON



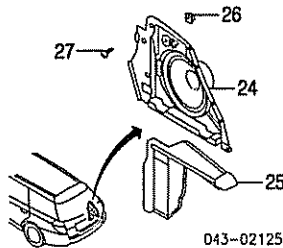
1 Panel Assy, Side Trim (b)	R 94027AG10AJC		6	180.13
	L 94027AG11AJC		6	179.88
2 Lid, Trim Panel (b) (c)	R 94058AG08AJC			46.75
	L 94058AG09AJC			46.75
<i>(b) Black listed, Order by Application</i>				
3 Pocket, Side Trunk (c)	R 94076AG02AJC			17.40
	L 94076AG03AJC			17.40
<i>(c) Included w/Side Trim Panel Assy</i>				
4 Hook, Luggage (c) (2/Side)				
Black	R/L 96172AG01AJC			4.15
Ivory	R/L 96172AG01AWA			4.15
5 Cap, Trim (c)	R 94067AG06AJC			5.18
6 Lock, Side (c)	R 94078AG02AJC			15.15
	L 94078AG03AJC			15.15
7 Hook, Upper (c)	R 94072AG02AJC			7.12
	L 94072AG03AJC			7.93
<i>(c) Included w/Side Trim Panel Assy</i>				
8 Bracket, Hook	R/L 96170AG04A			10.20
9 Bracket, Side Trim	R 94080AG14A			17.12
	L 94080AG15A			17.12
10 Lid Assy, Side Trim	R 94050AG15AWA			86.73
11 Clip, Lid (d) (8)	999130105			98
<i>(d) Included w/Side Trim Lid Assy</i>				

Illustration Located in Next Column

12 Plate Assy, Scuff	95073AG05AJC		2	89.58
13 Clip, Plate (e) (6)	909130077			2.63
<i>(e) Included w/Scuff Plate Assy</i>				
14 Box, Side Floor	R 95086AG02A			31.52
	L 95086AG03A			31.52
	R/L 99045AE03AMA			3.53
15 Clip, Box				
16 Cover Assy, Center Floor				
Black	95066AG04AJC			124.83
Ivory	95066AG04AWA			124.83
17 Hook, Cover (a)	95076AG000			18.52



18 Handle, Upper (a)			
Black	95070AG040JC	14.15	
Ivory	95070AG040WA	14.15	
19 Handle, Lower (a)			
Black	95070AG050JC	d23.05	
Ivory	95070AG050WA	d23.05	
<i>(a) Included w/Center Floor Cover Assy</i>			
20 Cover, Side Trunk			
Black	R 95067AG08AJC	57.52	
Ivory	L 95067AG09AJC	57.52	
	R 95067AG08AWA	57.52	
	L 95067AG09AWA	57.52	
21 Mat, Front Floor			
Black	95065AG05AJC	77.73	
Ivory	95065AG05AWA	77.73	
22 Clip, Mat (3)			
23 Holder, Clip			
No. 1	R/L 95062AG03A	4.12	
No. 2	95062AG02A	4.12	

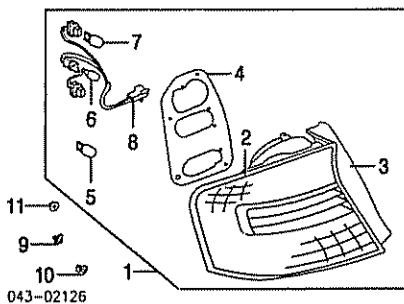


24 Speaker, Radio	R 86301AG96A	137.47
25 Spacer, Speaker	R 86315AG06A	17.57
26 Grommet (6)	R 045105163	.40
27 Screw, Mounting (6)	R 661179000	.44

REAR LAMPS

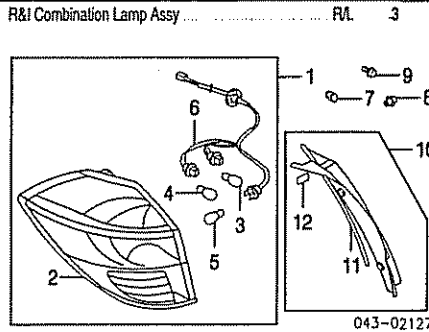
COMBINATION LAMP SEDAN

R&L Combination Lamp Assy R/L #.8
#Includes R&R Rear Trim Panel & Side Trim Panel



1 Lamp Assy, Combination	R 84201AG14A	#.8	119.95
	L 84201AG15A	#.8	119.95
2 Lens & Body]	R 84912AG350	#.8	99.95
	L 84912AG360	#.8	99.95
<i>#Includes R&R Rear Trim Panel & Side Trim Panel</i>			
3 Gasket, Lamp Outer]	R/L 84940AG060	7.20	
4 Gasket, Lamp Inner]	R/L 84942AG090	2.88	
5 Bulb, Tail/Stop Lamp]	R/L 84920FE000	#.2	5.95
6 Bulb, Back-Up Lamp]	R/L 784920430	#.2	1.95
7 Bulb, Turn Signal Lamp]	R/L 84920KE010	#.2	3.13
<i>#R&R One Side Complete, Included in R&R/R&R Combination Lamp Assy</i>			
8 Socket, Lamp]	R/L 84931AG090	15.02	
<i>#Included w/Combination Lamp Assy</i>			
9 Grommet, Upper	R/L 909220004	3.70	
10 Grommet, Lower	R/L 909220005-6	3.63	
11 Nut, Flange (a)	R/L 902370021	1.58	
<i>(a) As Required</i>			

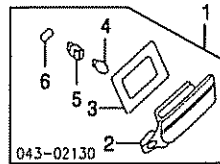
COMBINATION LAMP WAGON



R&L Combination Lamp Assy R/L		3	
1 Lamp Assy, Combination	R 84201AG10A	3	119.95
	L 84201AG11A	3	119.95
2 Lens & Body]	R 84912AG330	3	89.95
	L 84912AG340	3	89.95
3 Bulb, Tail/Stop Lamp]	R/L 84920FE000	#.2	5.95
4 Bulb, Back-Up Lamp]	R/L 784920080	#.2	1.50
5 Bulb, Turn Signal Lamp]	R/L 84920KE010	#.2	3.13
<i>#R&R One Side Complete, Included in R&R/R&R Combination Lamp Assy</i>			
6 Socket, Lamp]	R/L 84981AG090		22.30
<i>#Included w/Combination Lamp Assy</i>			
7 Grommet, Lamp (2/Side)	R/L 909220002		.60
8 Clip, Lamp (2/Side)	R/L 909140012		.98
9 Bolt & Washer (2/Side)	R/L 901120061		.44
10 Cover Assy, Lamp	R 84953AG09A		25.72
	L 84953AG09A		25.72
11 Gasket, Cover (a)	R/L 84942AG060		3.00
12 Spacer, Cover (a)	R/L 84957AG010		2.02
<i>(a) Included w/Lamp Cover Assy</i>			

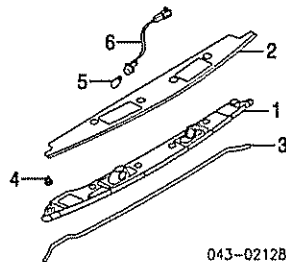
BACK-UP LAMP WAGON

R&L Back-Up Lamp Assy R/L #.2
#Included in R&R Liftgate, w/Trim Panel Removed



1 Lamp Assy, Back-Up	R 84311AG04A	#.2	53.00
	L 84311AG05A	#.2	53.00
2 Lens & Body]	R 84912AG220	#.2	46.08
	L 84912AG230	#.2	46.08
<i>#Included in R&R Liftgate, w/Trim Panel Removed</i>			
3 Gasket, Lamp]	R/L 84940AG010	4.12	
4 Bulb, Back-Up]	R/L 84920KE010	#.2	3.13
<i>#Included in R&R/R&R Back-Up Lamp Assy</i>			
5 Socket, Bulb]	R/L 84931AG100	7.87	
6 Holder, Lamp]	R/L 84943AG010	7.48	
<i>#Included w/Back-Up Lamp Assy</i>			

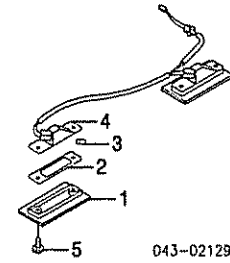
LICENSE LAMP SEDAN



1 Lens & Body	84912AG580	#.3	d153.72
2 Gasket, Upper	84940AG090		d67.77
3 Gasket, Lower (2)	84940AG030		d67.77
4 Clip, Lens (6)	909130088		2.47
5 Bulb, License (2)	784920080		1.50
6 Socket (2)	84931AG110		d67.77

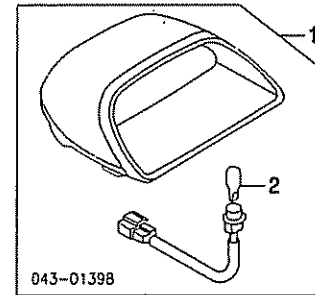
LICENSE LAMP WAGON

R&L License Lamp R/L #.2
#w/Trim Panel Removed



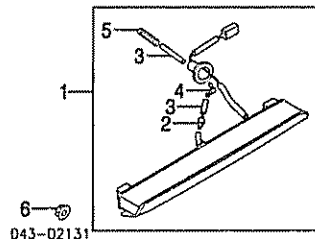
1 Lens, License Lamp	R 84910AG040	#.2	48.38
	L 84910AG050	#.2	48.38
<i>#w/Trim Panel Removed</i>			
2 Gasket, License Lamp	R/L 84940AG050		48.38
3 Bulb, License Lamp	R/L 784920080	#.2	1.50
<i>#Included in R&R/R&R License Lamp</i>			
4 Socket, License Lamp	R/L 84931AG110		d67.77
5 Screw, Tapping (2/Side)	R/L 045404254		.40

HIGH MOUNT STOP LAMP SEDAN



1 Lamp Assy, Stop			
Black	84701AG04AJC	.3	168.83
Ivory	84701AG04AWA	.3	168.83
2 Bulb, Lamp]	84920KE010		3.13
<i>#Included w/Stop Lamp Assy</i>			

HIGH MOUNT STOP LAMP WAGON



1 Lamp Assy, Stop]	84701AG01A	#.4	170.35
<i>#Included in R&R Spoiler</i>			
2 Valve, Washer] (a)	86634AG010		4.85
3 Hose, Washer] (a) (2)	86655AG320		.80
4 Joint, Washer] (a)	86638AG050		1.98
5 Protector, Washer] (a)	86625AG010		4.90
<i>#Included w/Spoiler Assy-listed in Roof Section</i>			
<i>(a) Included w/Stop Lamp Assy</i>			
6 Nut, Flange (2)	902370041		.88

REAR BUMPER

Use Procedure Explanations 27 and 28 with the following text.

SEDAN

Refinish Rear Cover.....	2.0
Refinish Reinforcement Bar.....	.8
R&R Rear Cover.....	1.1
O/H Bumper Assy (Includes R&L).....	1.6

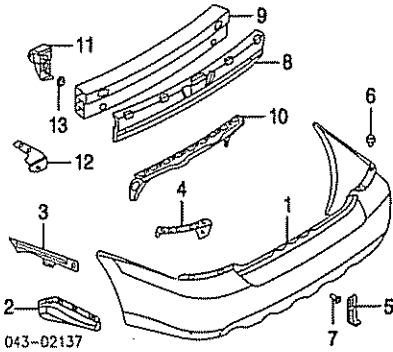
NOTE: All Parts in this section are included in overhaul unless noted otherwise.

Illustration Located in Next Column

1 Cover, Rear (P)			
Legacy	57704AG10A	1.6	229.95
Outback	57704AG12A	1.6	229.95

REAR BUMPER Cont'd

SEDAN Cont'd



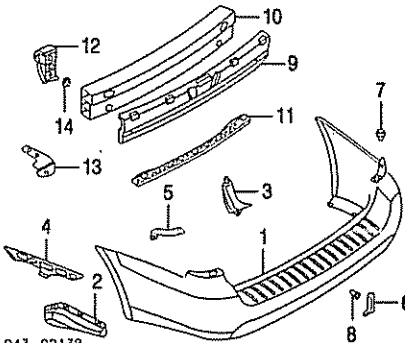
043-02137

<i>(P) Paint to Match</i>		
2 Cover, Bumper Side	R 57731AG14A	12.13
	L 57731AG15A	12.13
3 Bracket, Upper Side	R 57717AG14A	20.00
	L 57717AG15A	20.00
4 Bracket, Upper Corner	R/L 57707AG40A	14.82
5 Bracket, Lower	R/L 57707AG20A	8.93
6 Clip, Rear Cover (26)	909140007	70
7 Grommet (4)	909300015	1.70
8 Absorber, Impact		
Legacy	57705AG07A	IOH 64.95
Outback	57705AG09A	IOH 64.95
9 Bar, Reinforcement	57712AG08A	IOH 189.95
10 Retainer, Bar	57711AG04A	38.27
11 Bracket, Bumper Mtg	R 57714AG02A9P	33.08
	L 57714AG03A9P	33.08
12 Gusset, Bumper		
Outback	R 50825AG08A	25.55
	L 50825AG09A	25.55
13 Nut, Flange (12)	902370043	1.98

WAGON

Refinish Rear Cover	2.0
Refinish Reinforcement Bar	.8
R&I Rear Cover	1.1
R&I Mudguard	R/L .2
O/H Bumper Assy (Includes R&I)	1.6
Add to R&I Rear Cover or O/H Bumper Assy w/Mudguards	.4

NOTE: All Parts in this section are included in overhaul unless noted otherwise.



043-02138

1 Cover, Rear (p)		
Legacy	57704AG09A	1.6 229.95
Outback	57704AG11A	1.6 229.95
<i>(P) Paint to Match</i>		
2 Cover, Bumper Side	R 57731AG14A	12.13
	L 57731AG15A	12.13
3 Cover, Rear Side	R 57731AG49A	10.28
	L 57731AG50A	10.28
4 Bracket, Upper Side	R 57717AG14A	20.00
	L 57717AG15A	20.00
5 Bracket, Upper Corner	R 57707AG38A	14.65
	L 57707AG39A	14.20
6 Bracket, Lower (4)	57707AG27A	8.97
7 Clip, Rear Cover (26)	909140007	70
8 Grommet (4)	909300015	1.70
9 Absorber, Impact		
Legacy	57705AG06A	IOH 64.95
Outback	57705AG08A	IOH 64.95
10 Bar, Reinforcement	57712AG13A	219.98
11 Retainer, Bar	57712AG14A	25.52
12 Bracket, Bumper Mtg		
Legacy	R 57714AG02A9P	33.08
	L 57714AG03A9P	33.08
Outback	R 57714AG04A9P	34.57
	L 57714AG05A9P	34.57

13 Gusset, Bumper	R/L 50825AG10A	21.93
Outback	902370043	1.98
14 Nut, Flange (12)	R/L N.A.	.2 0.00
Mudguard		

SUBARU LEGACY/OUTBACK 2000-04

SECTION INDEX

A/C /HEATER/VENTILATION	987
A/C REFRIGERANT CAPACITIES	987
ABS/BRAKES	989
AIR BAG SYSTEM	988
AIR CLEANER	992
BACK WINDOW	1002
CENTER CONSOLE	996
CLEAR COAT IDENTIFICATION	984
COOLING	986
COWL & DASH	994
CRUISE CONTROL SYSTEM	989
ELECTRICAL	993
EMISSION SYSTEM	993
ENGINE UNDER COVER	992
ENGINE/TRANS	991
ENGINE/TRANS MOUNTS	992
EXHAUST	993
FRONT BUMPER	985
FRONT DOOR	998
FRONT DRIVE AXLE	990
FRONT FENDER	987
FRONT INNER STRUCTURE	988
FRONT LAMPS	985
FRONT SEAT	997
FRONT STEERING LINKAGE/GEAR	990
FRONT SUSPENSION	989
FUEL TANK	1006
GRILLE	985
HOOD	986
INFORMATION LABELS	984
INSTRUMENT PANEL	995
LIFTGATE	1004
LUGGAGE LID	1004
PAINT CODE LOCATION	984
QUARTER GLASS	1004
QUARTER PANEL	1003
REAR BODY	1006
REAR BUMPER	1008
REAR DOOR	1000
REAR DRIVE AXLE	1006
REAR LAMPS	1007
REAR SEAT	998
REAR SUSPENSION	1005
ROCKER/PILLARS/FLOOR	996
ROOF	1001
SEAT BELTS	998
SPECIAL CAUTIONS	984
STEERING PUMP	991
STEERING WHEEL/COLUMN	991
SUNROOF	1002
UNDERHOOD DIMENSIONS	988
WHEEL	989
WINDSHIELD	994

SPECIAL CAUTIONS

SUPPLEMENTAL RESTRAINT SYSTEM

Refer to Procedure Explanation 29 for Supplemental Restraint/Air Bag Special Cautions.

PAINT CODE LOCATION

Paint code located on left shock tower

CLEAR COAT IDENTIFICATION

All colors are clear coat

INFORMATION LABELS

Illustration Located in Next Column

1 Label, Vacuum Piping]		
Man Trans	22304AB04A	d1 67