

BODY STRUCTURE

General Description

BODY STRUCTURE

1. General Description

A: PREPARATION TOOL

TOOL NAME	REMARKS
Tram tracking gauge	Used for measuring dimension.
Tape measure	Used for measuring dimension.

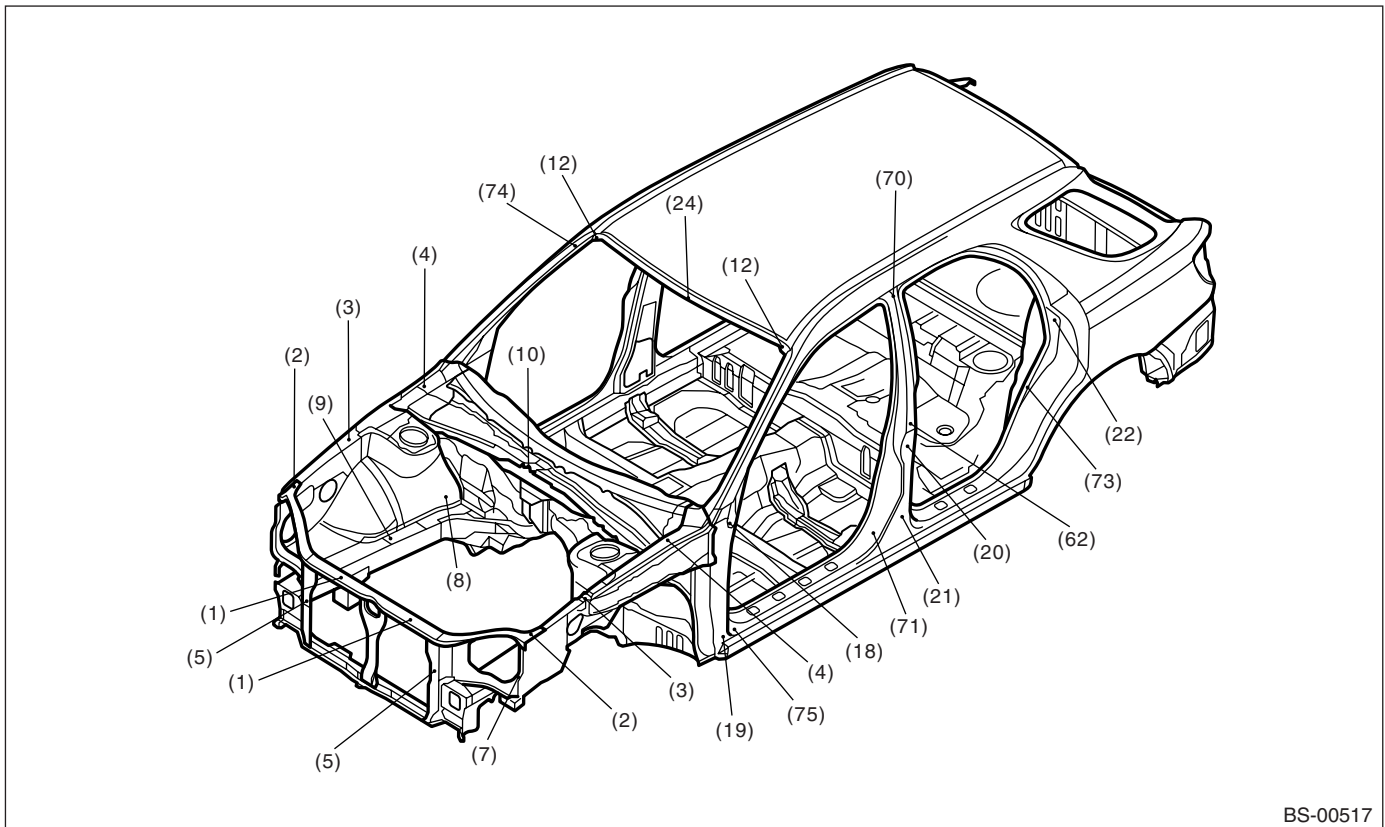
2. Datum Points

A: LOCATION

NOTE:

- Datum points are specified for body repair.
- Guide holes, locators, and indents are provided to facilitate panel replacement and to increase alignment accuracy.
- Both right and left reference points are symmetrical.

1. WAGON MODEL/SEDAN MODEL



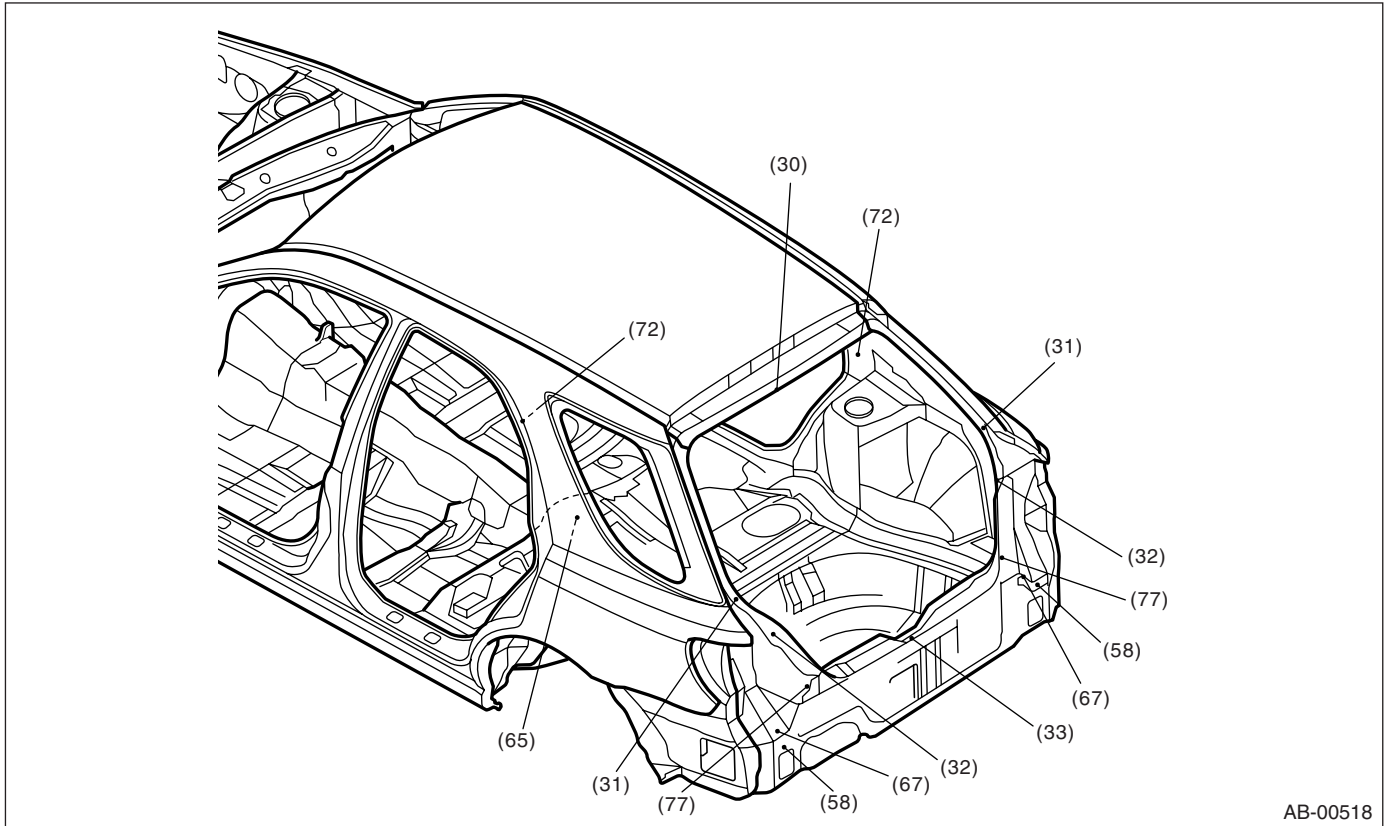
BS-00517

- | | | |
|---|---|--|
| (1) Radiator attaching hole 12 mm (0.47 in) dia. (Symmetrical) | (10) Bracket module center gauge hole 6 mm (0.24 in) dia. (Vehicle center) | (22) Weather strip patch attaching hole 5.2 mm (0.205 in) dia. (Symmetrical) |
| (2) Fender attaching hole 7 mm (0.28 in) dia. (Symmetrical) | (12) Front glass attaching hole RH 6.5 mm (0.256 in) dia. LH 6.5 × 10 mm (0.256 × 0.39 in) dia. | (24) Roof panel repair locator hollow |
| (3) Fender attaching hole 10 mm (0.39 in) dia. (Symmetrical) | (18) Fender attaching hole 12 mm (0.47 in) dia. (Symmetrical) | (62) Belt anchor attaching hole 11 mm (0.43 in) dia. (Symmetrical) |
| (4) Hood hinge attaching hole 12 mm (0.47 in) dia. (Symmetrical) | (19) Fender attaching hole 12 mm (0.47 in) dia. (Symmetrical) | (70) Trim clip attaching hole 8.5 mm (0.335 in) dia. (Symmetrical) |
| (5) Radiator panel side gauge hole 20 mm (0.79 in) dia. (Symmetrical) | (20) Outer panel center pillar gauge hole 12 mm (0.47 in) dia. (Symmetrical) | (71) Harness clip attaching hole 7 mm (0.28 in) dia. (Symmetrical) |
| (7) Fender attaching hole 9 mm (0.35 in) dia. (Symmetrical) | (21) Outer panel center pillar gauge hole 12 mm (0.47 in) dia. (Symmetrical) | (73) Harness clip attaching hole 7 mm (0.28 in) dia. (Symmetrical) |
| (8) Gauge hole 12 mm (0.47 in) dia. (Symmetrical) | | (74) Trim clip attaching hole 10 mm (0.39 in) dia. (Symmetrical) |
| (9) Front suspension crossmember attaching hole 12.4 mm (0.488 in) dia. (Symmetrical) | | (75) Insulator attaching hole 8 mm (0.31 in) dia. (Symmetrical) |

Datum Points

BODY STRUCTURE

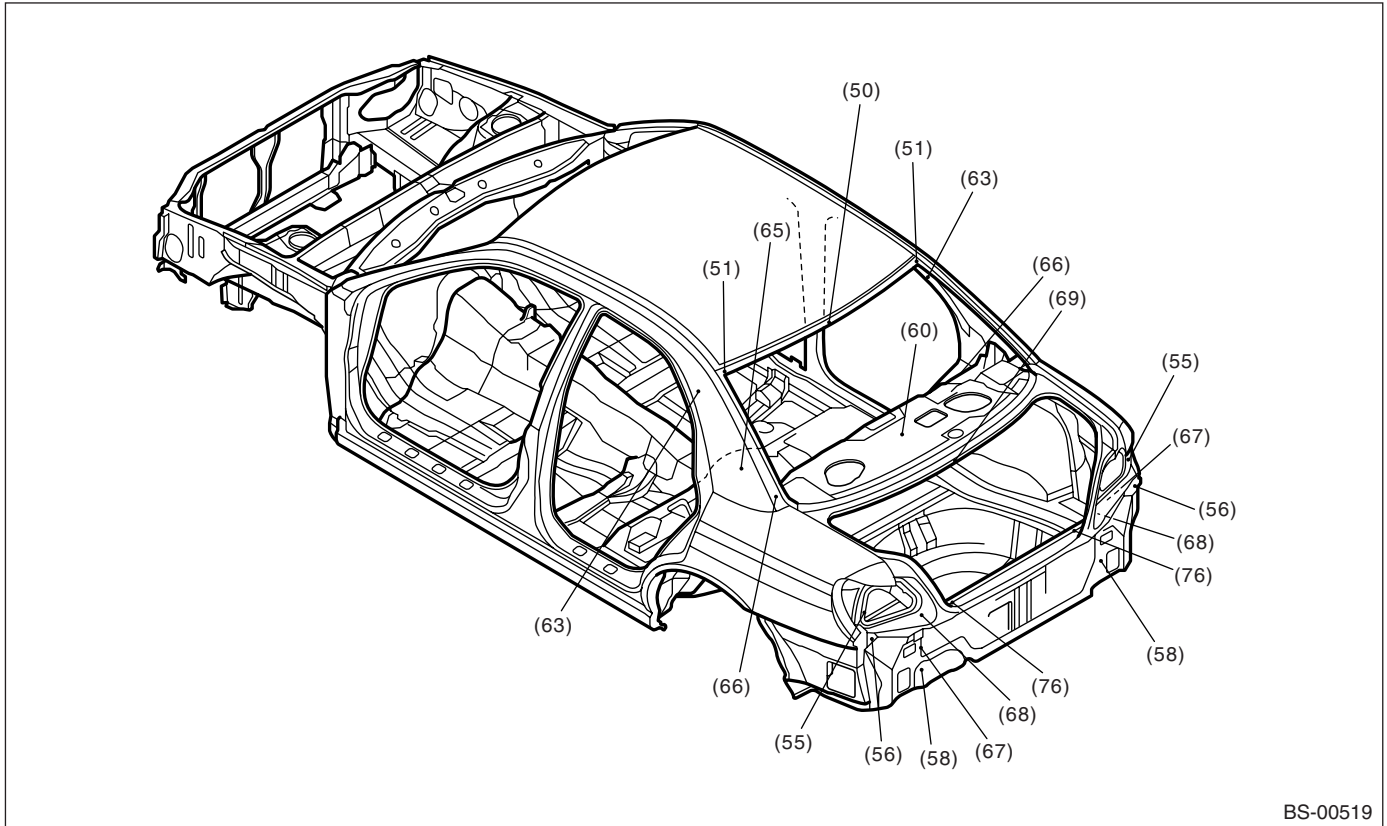
2. WAGON MODEL (REAR)



AB-00518

- | | | |
|---|--|--|
| (30) Child anchor attaching hole 11 mm (0.43 in) dia. | (33) Two striker attaching hole 15 mm (0.59 in) dia. | (67) Gusset floor rear side gauge hole 11.5 mm (0.453 in) dia. (Symmetrical) |
| (31) Washer hose attaching hole LH 7 mm (0.28 in) dia. | (58) Rear bumper plate nut attaching hole 13 mm (0.51 in) dia. (Symmetrical) | (72) Trim upper clip attaching hole 8.5 mm (0.335 in) dia. (Symmetrical) |
| (32) Rear combination light mounting hole 7 mm (0.28 in) dia. (Symmetrical) | (65) Floor mat clip attaching hole 8 mm (0.31 in) dia. | (77) Harness clip attaching hole 7 mm (0.28 in) dia. (Symmetrical) |

3. SEDAN MODEL (REAR)



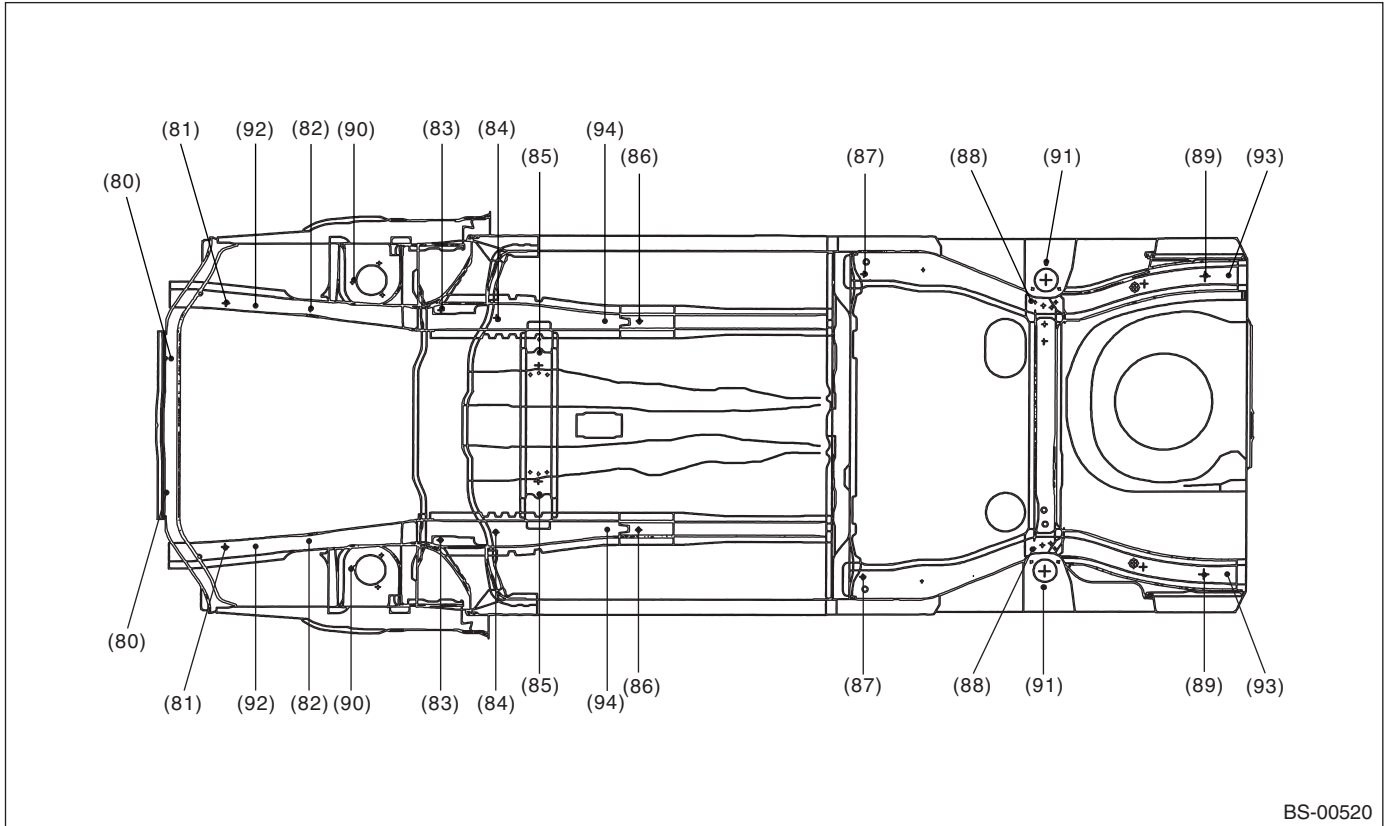
BS-00519

- | | | |
|---|--|--|
| (50) Repair locator hollow (Vehicle center) | (58) Rear bumper attaching hole 11 mm (0.43 in) dia. (Symmetrical) | (67) Gusset floor rear side gauge hole 11.5 mm (0.453 in) dia. (Symmetrical) |
| (51) Glass attaching hole RH 6.5 mm (0.256 in) dia. LH 6.5 × 10 mm (0.256 × 0.39 in) dia. | (60) Choke coil harness attaching hole 5.4 mm (0.213 in) dia. | (68) Rear skirt inner side gauge hole 10 mm (0.39 in) dia. (Symmetrical) |
| (55) Rear combination light mounting hole 8 mm (0.31 in) dia. (Symmetrical) | (63) Feeder line fixing hole 7 mm (0.28 in) dia. (Symmetrical) | (69) Rear panel (reinforcement) repair locator hollow (Vehicle center) |
| (56) Bumper attaching hole 7 mm (0.28 in) dia. (Symmetrical) | (65) Floor mat clip attaching hole 8 mm (0.31 in) dia. | (76) Press location hole 15 mm (0.59 in) dia. (Symmetrical) |
| | (66) Bulkhead rear gauge hole 10 mm (0.39 in) dia. (Symmetrical) | |

Datum Points

BODY STRUCTURE

4. UNDERBODY

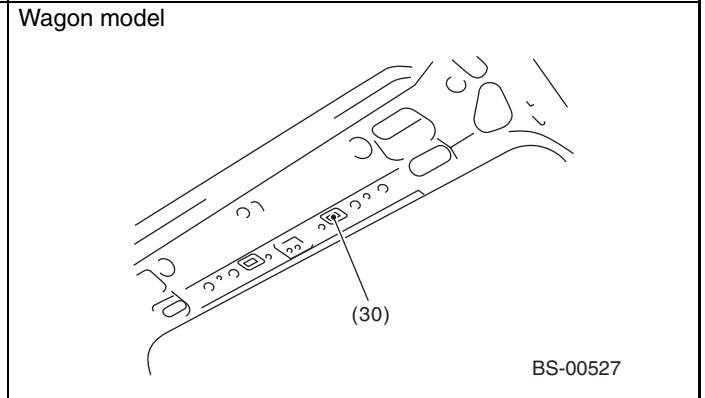
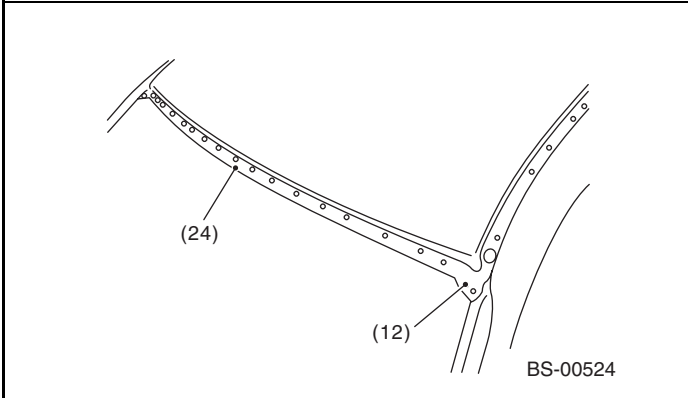
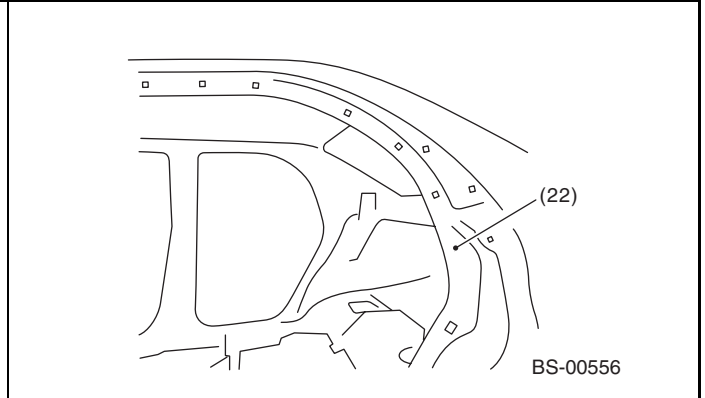
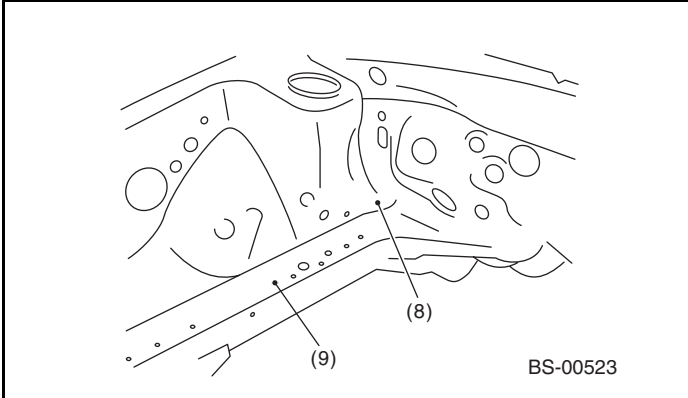
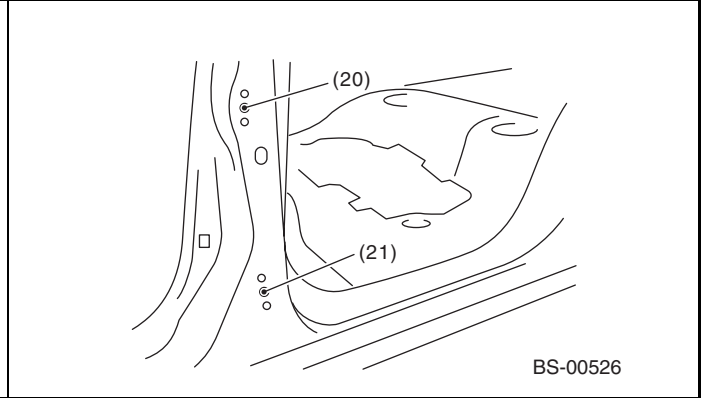
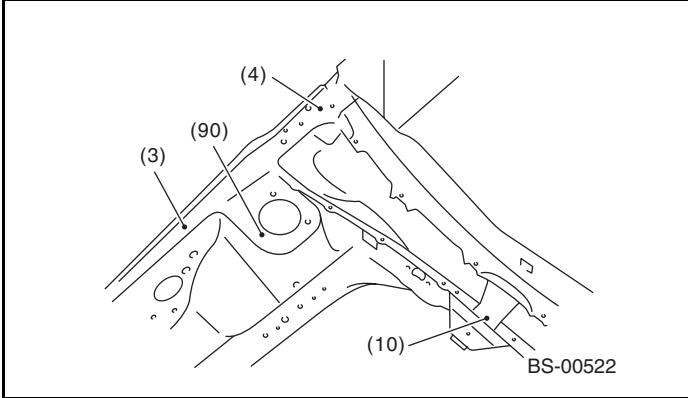
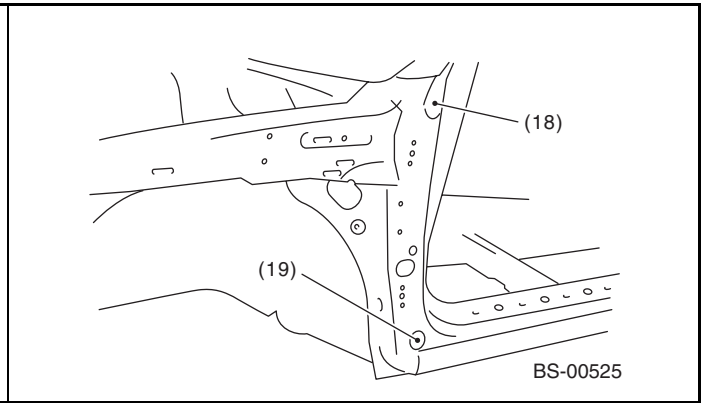
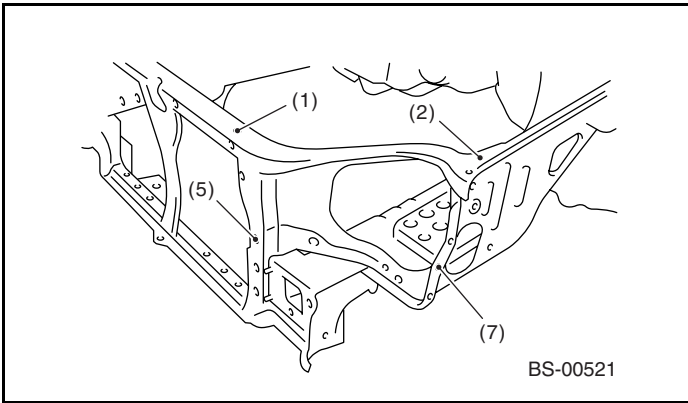


BS-00520

- | | | |
|---|--|---|
| (80) Radiator lower frame gauge hole 12 mm (0.47 in) dia. (Symmetrical) | (85) Transmission mount attaching hole 14 mm (0.55 in) dia. | (90) Strut mount attaching hole 9.5 mm (0.374 in) dia. (Symmetrical) |
| (81) Side frame gauge hole 20 mm (0.79 in) dia. (Symmetrical) | (86) Side frame gauge hole 18 mm (0.71 in) dia. (Symmetrical) | (91) Strut mount attaching hole 10 mm (0.39 in) dia. (Symmetrical) |
| (82) Front crossmember attaching hole 12.4 mm (0.488 in) dia. (Symmetrical) | (87) Rear differential attaching hole 16 mm (0.63 in) dia. (Symmetrical) | (92) Sub frame attaching hole 16 mm (0.63 in) dia. (Symmetrical) |
| (83) Suspension attaching hole 17 mm (0.67 in) dia. (Symmetrical) | (88) Rear suspension attaching hole 16 mm (0.63 in) dia. (Symmetrical) | (93) Bumper beam attaching hole RH 15 mm (0.59 in) dia. LH 19 × 15 mm (0.75 × 0.59 in) dia. |
| (84) Side frame gauge hole 20 mm (0.79 in) dia. (Symmetrical) | (89) Rear side frame gauge hole 15 mm (0.59 in) dia. (Symmetrical) | (94) Side frame gauge hole 15 mm (0.59 in) dia. (Symmetrical) |


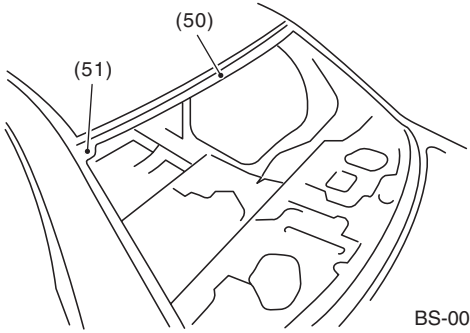
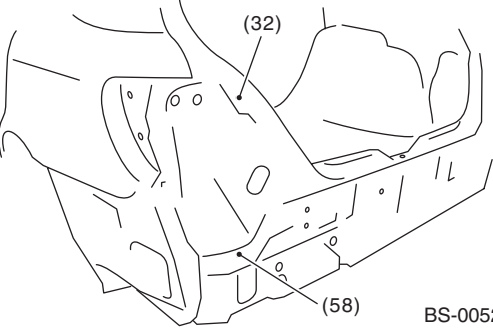
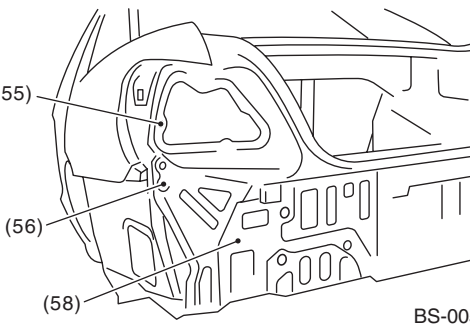
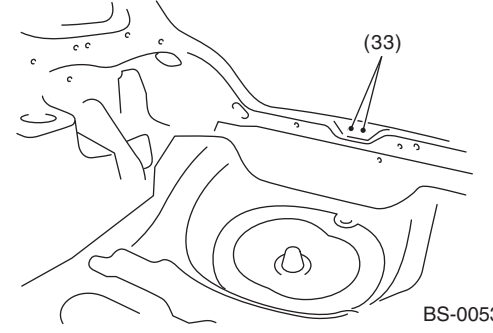
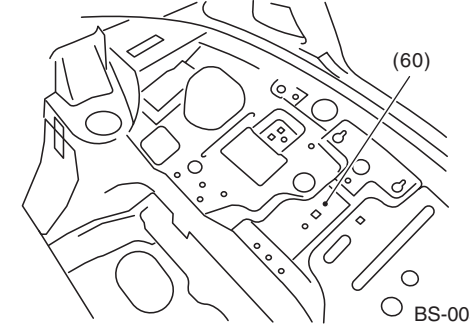
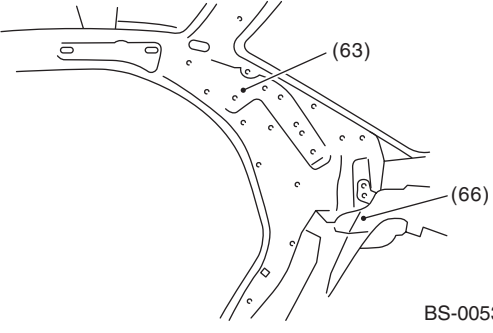
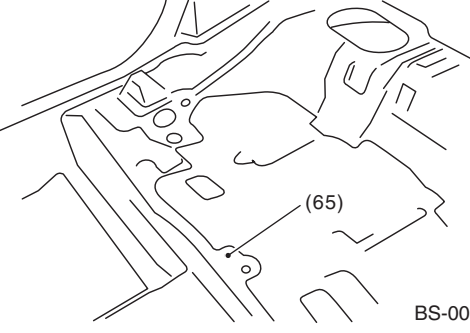
Datum Points

BODY STRUCTURE



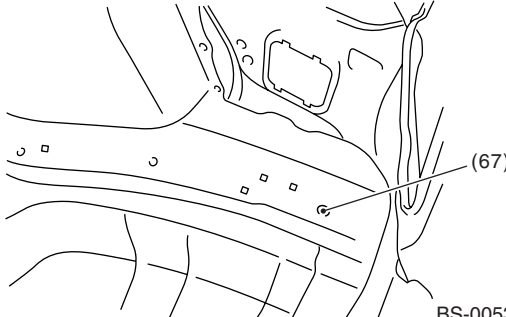
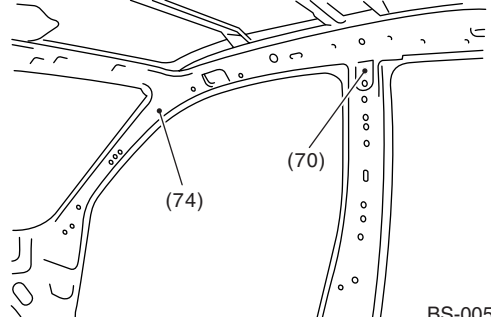
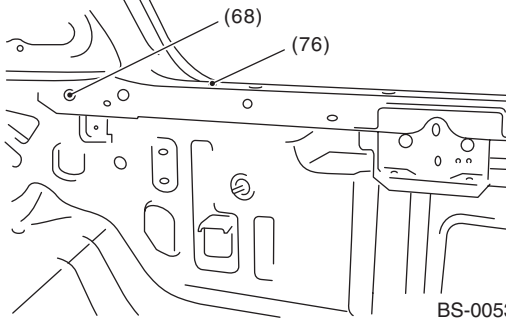
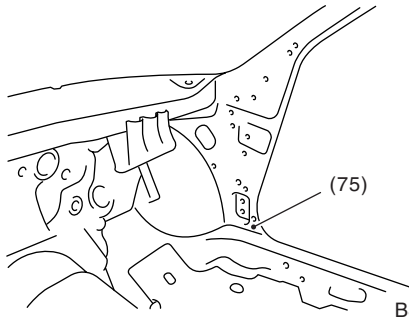
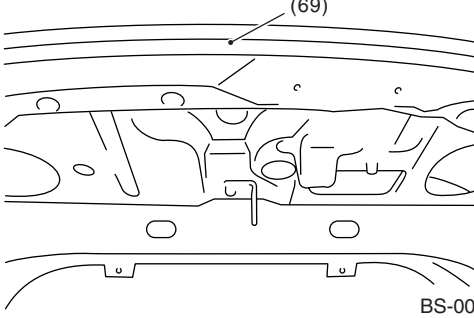
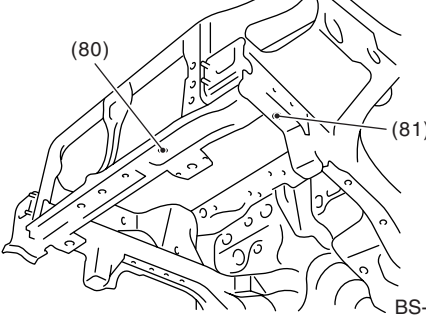
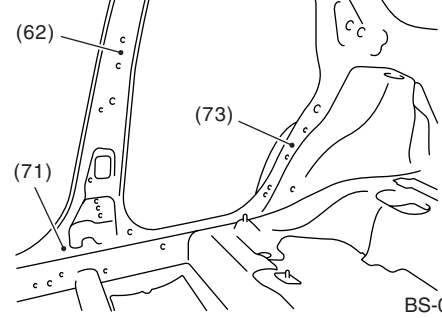
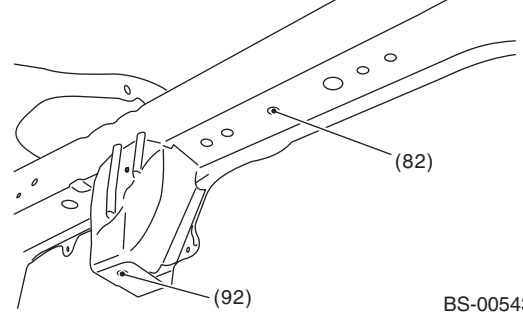
Datum Points

BODY STRUCTURE

<p>Wagon model</p>  <p>BS-00528</p>	<p>Sedan model</p>  <p>BS-00532</p>
<p>Wagon model</p>  <p>BS-00529</p>	<p>Sedan model</p>  <p>BS-00533</p>
<p>Wagon model</p>  <p>BS-00530</p>	<p>Sedan model</p>  <p>BS-00534</p>
<p>Sedan model</p>  <p>BS-00531</p>	 <p>BS-00535</p>

Datum Points

BODY STRUCTURE

 <p>(67)</p> <p>BS-00536</p>	 <p>(74)</p> <p>(70)</p> <p>BS-00540</p>
<p>Sedan model</p>  <p>(68)</p> <p>(76)</p> <p>BS-00537</p>	 <p>(75)</p> <p>BS-00541</p>
<p>Sedan model</p>  <p>(69)</p> <p>BS-00538</p>	 <p>(80)</p> <p>(81)</p> <p>BS-00542</p>
 <p>(62)</p> <p>(71)</p> <p>(73)</p> <p>BS-00539</p>	 <p>(82)</p> <p>(92)</p> <p>BS-00543</p>

Datum Points

BODY STRUCTURE

<p>BS-00544</p>	<p>BS-00546</p>
<p>BS-00545</p>	<p>SUBARU.</p>

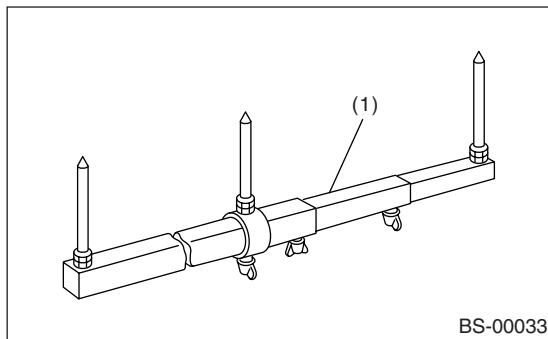
3. Datum Dimensions

A: MEASUREMENT

Refer to LOCATION for details on measurement points. <Ref. to BS-3, LOCATION, Datum Points.>

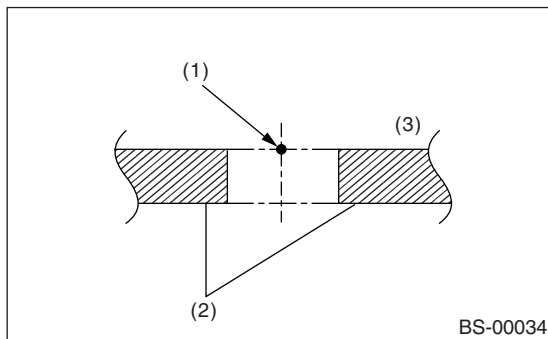
NOTE:

- Using a tram tracking gauge, measure all the dimensions.
- When using a tape measure, carefully measure dimensions without letting the tape measure sag or twist.
- Measure the linear dimensions between cores of holes.
- Suffixes “RH” and “LH” indicate right-hand and left-hand.



(1) Tram tracking gauge

- Measure at the center of the circle around the outside of the body panel.

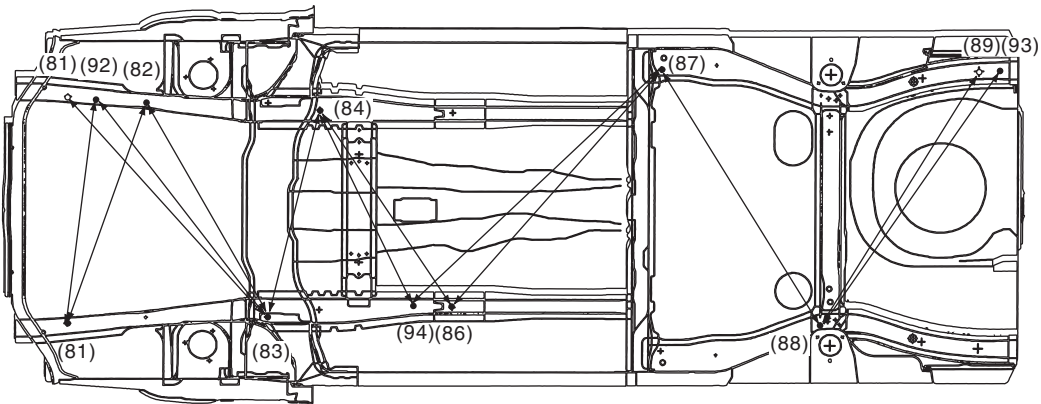
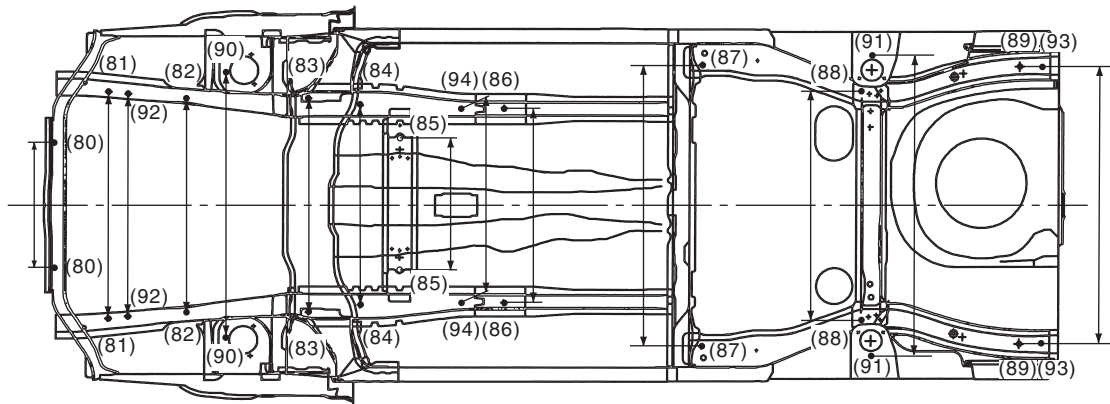
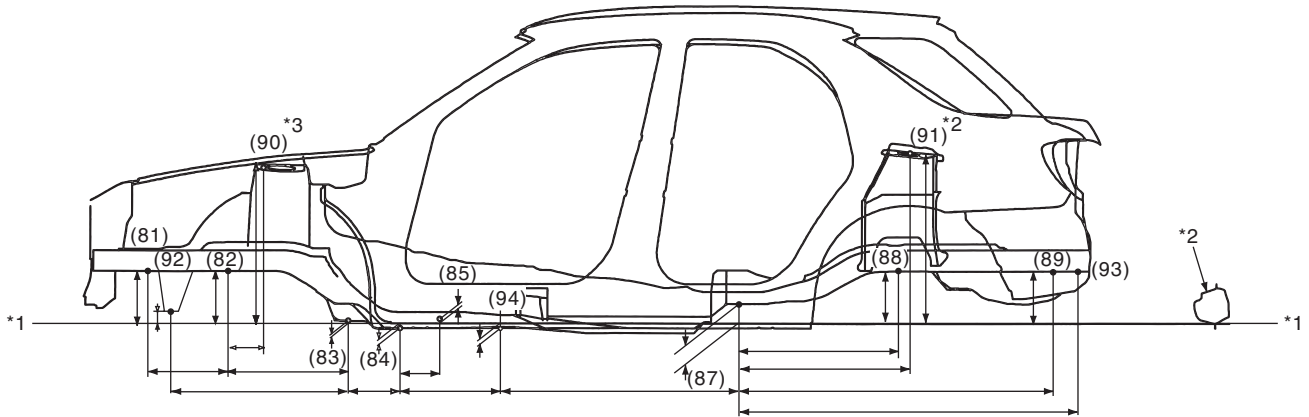


- (1) Datum point
- (2) Body panel
- (3) Outside

Datum Dimensions

BODY STRUCTURE

1. CENTER STRUCTURE



BS-00633

- *1: Standard line
- *2: Side sill
- *3: Upper surface

Datum Dimensions

BODY STRUCTURE

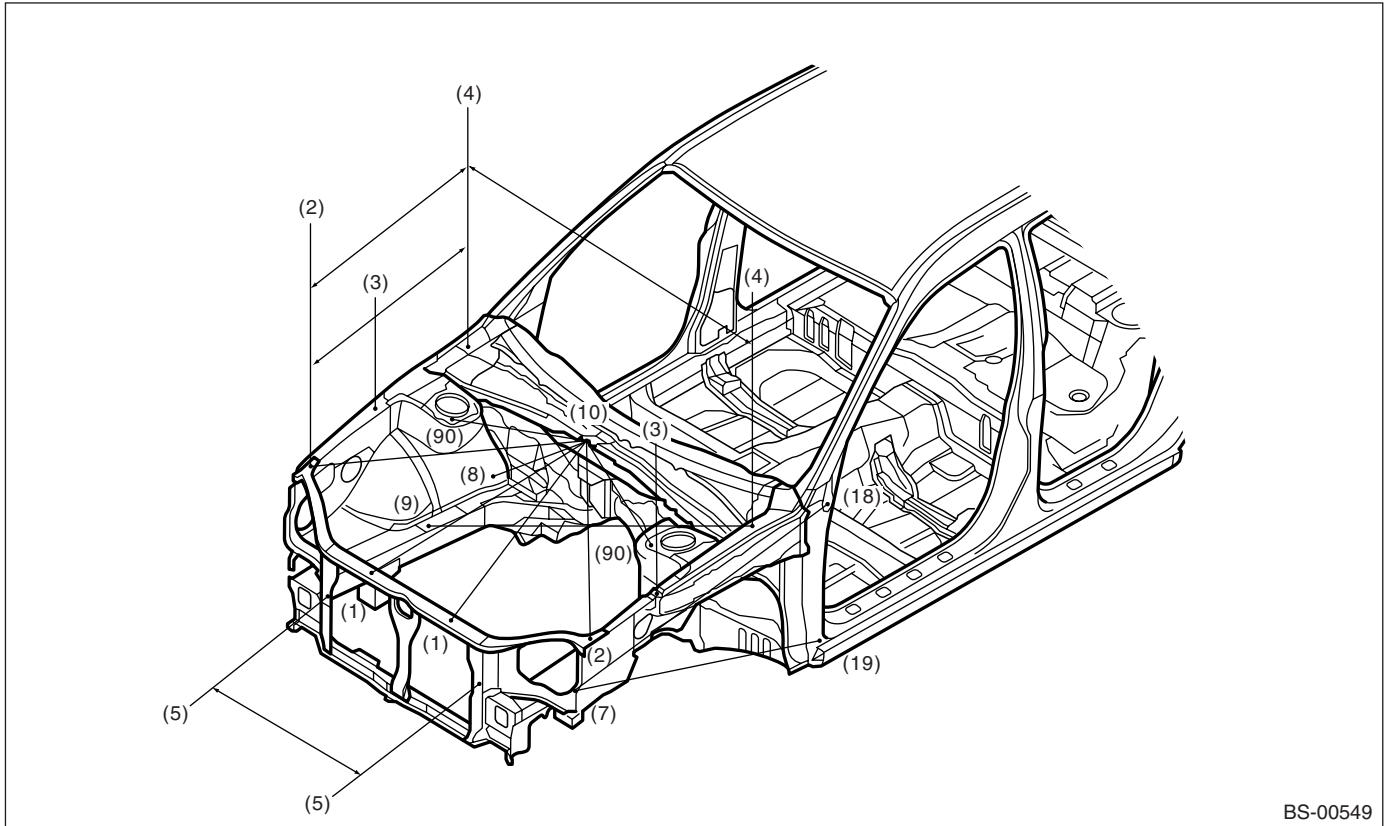
Point to point	Dimension mm (in)
(81) from standard line	206 (8.11)
(92) from standard line	77 (3.03)
(82) from standard line	206 (8.11)
(90) from standard line	620 (24.41)
(83) from standard line	8 (0.31)
(84) from standard line	20 (0.79)
(85) from standard line	13 (0.51)
(94) from standard line	12 (0.47)
(87) from standard line	76 (2.99)
(88) from standard line	206 (8.11)
(91) from standard line	674 (26.54)
(89) from standard line	205 (8.07)
(81) to (82)	317 (12.48)
(82) to (90)	157 (6.18)
(82) to (83)	485 (19.09)
(92) to (83)	694 (27.32)
(83) to (84)	206 (8.11)
(84) to (85)	159 (6.26)
(84) to (94)	380 (14.96)
(94) to (87)	982 (38.66)
(87) to (88)	633 (24.92)
(87) to (91)	673 (26.50)
(87) to (89)	1,258 (49.53)
(87) to (93)	1,358 (53.46)
(80) RH to (80) LH	500 (19.69)
(81) RH to (81) LH	910 (35.83)
(92) RH to (92) LH	906 (35.67)
(82) RH to (82) LH	860 (33.86)
(90) RH to (90) LH	1,065 (41.93)
(83) RH to (83) LH	856 (33.70)
(84) RH to (84) LH	800 (31.50)
(85) RH to (85) LH	529 (20.83)
(94) RH to (94) LH	776 (30.55)
(86) RH to (86) LH	780 (30.71)
(87) RH to (87) LH	1,128 (44.41)
(88) RH to (88) LH	920 (36.22)
(91) RH to (91) LH	1,205 (47.44)
(89) RH to (89) LH	1,110 (43.70)
(93) RH to (93) LH	1,110 (43.70)
(81) LH to (92) RH	924 (36.38)
(81) LH to (82) RH	940 (37.01)
(81) RH to (83) LH	1,209 (47.60)
(92) RH to (83) LH	1,124 (44.25)
(82) RH to (83) LH	1,005 (39.57)
(83) LH to (84) RH	854 (33.62)
(84) RH to (94) LH	875 (34.45)
(84) RH to (86) LH	951 (37.44)
(94) LH to (87) RH	1,371 (53.98)
(86) LH to (87) RH	1,269 (49.96)
(87) RH to (88) LH	1,211 (47.68)
(88) LH to (89) RH	1,192 (46.93)

Point to point	Dimension mm (in)
(88) LH to (93) RH	1,247 (49.09)

Datum Dimensions

BODY STRUCTURE

2. WAGON MODEL/SEDAN MODEL (FRONT STRUCTURE)



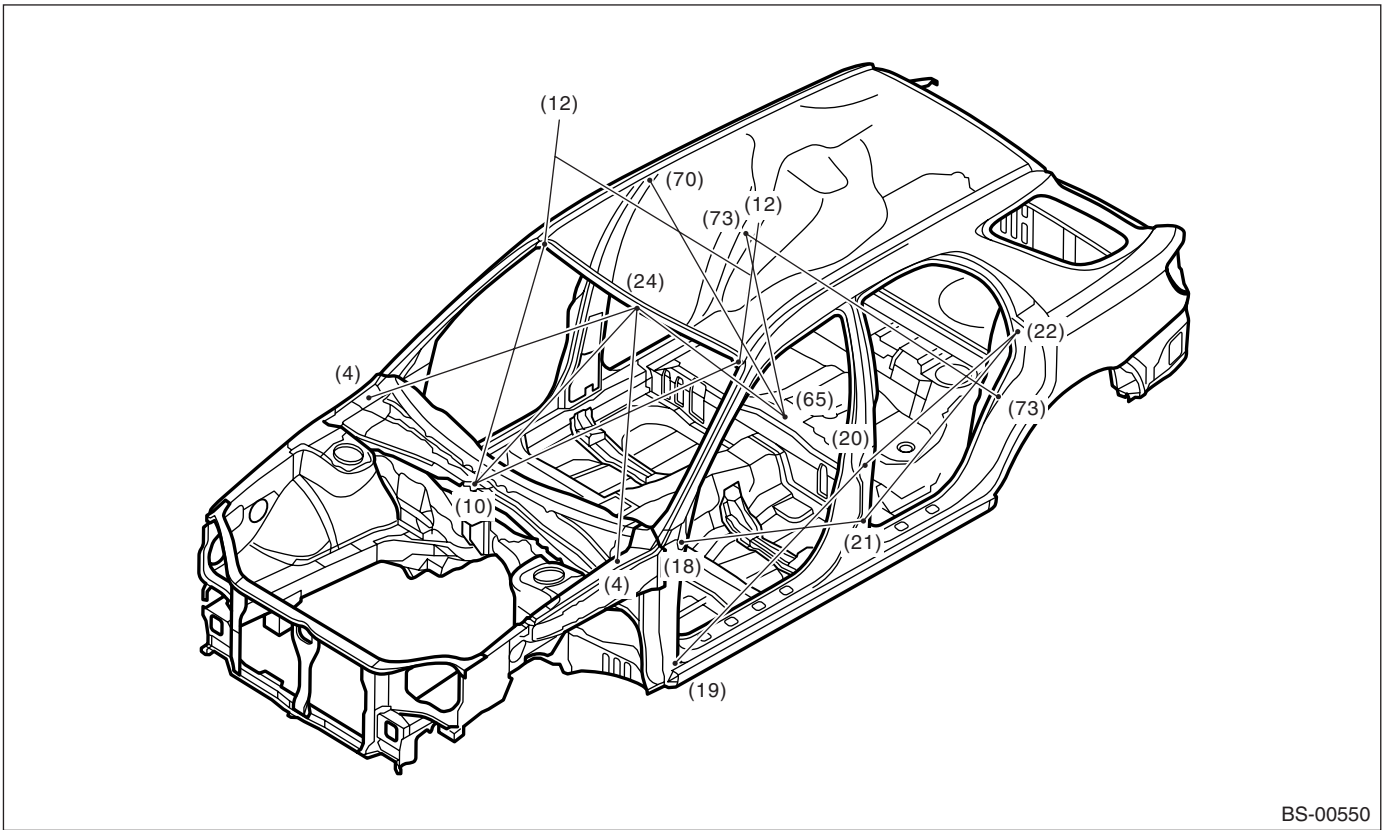
BS-00549

Point to point	Dimension mm (in)
(10) to (1) RH	912 (35.91)
(10) to (1) LH	912 (35.91)
(10) to (90) RH	566 (22.28)
(10) to (90) LH	566 (22.28)
(10) to (8) RH	581 (22.87)
(10) to (8) LH	581 (22.87)
(10) to (2) RH	948 (37.32)
(10) to (2) LH	948 (37.32)
(4) RH to (2) RH	779 (30.67)
(4) LH to (2) LH	779 (30.67)
(4) RH to (3) RH	430 (16.93)
(4) LH to (3) LH	430 (16.93)
(90) RH to (90) LH	1,065 (41.93)
(8) RH to (8) LH	894 (35.20)
(8) RH to (4) LH	1,210 (47.64)
(8) LH to (4) RH	1,210 (47.64)
(3) RH to (2) RH	350 (13.78)
(3) LH to (2) LH	350 (13.78)
(4) RH to (4) LH	1,417 (55.79)
(2) RH to (2) LH	1,341 (52.80)
(5) RH to (5) LH	720 (28.35)
(7) RH to (18) RH	1,107 (43.58)
(7) LH to (18) LH	1,107 (43.58)
(7) RH to (19) RH	1,105 (43.50)
(7) LH to (19) LH	1,105 (43.50)

Point to point	Dimension mm (in)
(4) RH to (2) LH	1,583 (62.32)
(4) LH to (2) RH	1,583 (62.32)
(3) RH to (3) LH	1,396 (54.96)
(3) RH to (4) LH	1,470 (57.87)
(3) LH to (4) RH	1,470 (57.87)
(2) RH to (3) LH	1,412 (55.59)
(2) LH to (3) RH	1,412 (55.59)
(9) RH to (9) LH	860 (33.86)
(9) RH to (8) LH	931 (36.65)
(9) LH to (8) RH	931 (36.65)
(9) RH to (4) LH	1,278 (50.31)
(9) LH to (4) RH	1,278 (50.31)

Datum Dimensions

BODY STRUCTURE



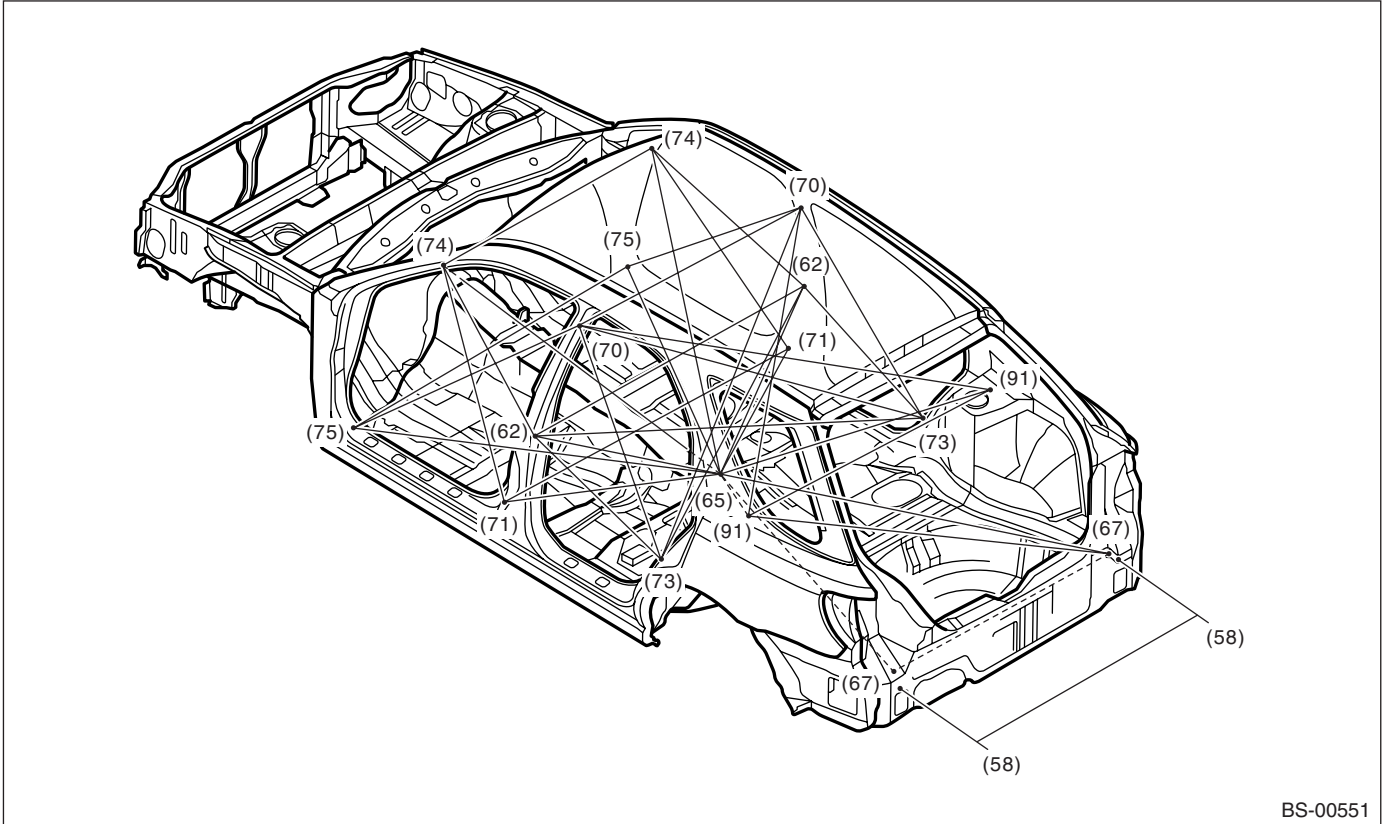
BS-00550

Point to point	Dimension mm (in)
(4) RH to (24)	1,127 (44.37) Wagon model
(4) LH to (24)	1,110 (43.70) Sedan model
(10) to (24)	958 (37.72) Wagon model
(10) to (24)	935 (36.81) Sedan model
(10) to (12) RH	1,122 (44.17) Wagon model
(10) to (12) RH	1,106 (43.54) Sedan model
(10) to (12) LH	1,122 (44.17) Wagon model
(10) to (12) LH	1,106 (43.17) Sedan model
(12) RH to (12) LH	1,029 (40.51) Wagon model
(12) RH to (12) LH	1,042 (41.02) Sedan model
(18) RH to (21) RH	1,049 (41.30)
(18) LH to (21) LH	1,049 (41.30)
(19) RH to (20) RH	1,089 (42.87)
(19) LH to (20) LH	1,089 (42.87)
(20) RH to (22) RH	869 (34.21)
(20) LH to (22) LH	869 (34.21)
(21) RH to (22) RH	985 (38.78)
(21) LH to (22) LH	985 (38.78)
(24) to (65)	1,232 (48.50) Wagon model
(24) to (65)	1,237 (48.70) Sedan model
(65) to (70) RH	1,067 (42.01)
(65) to (70) LH	1,067 (42.01)
(65) to (73) RH	830 (32.68)
(65) to (73) LH	830 (32.68)
(73) RH to (73) LH	1,394 (54.88)

Datum Dimensions

BODY STRUCTURE

3. WAGON MODEL/SEDAN MODEL (REAR STRUCTURE)

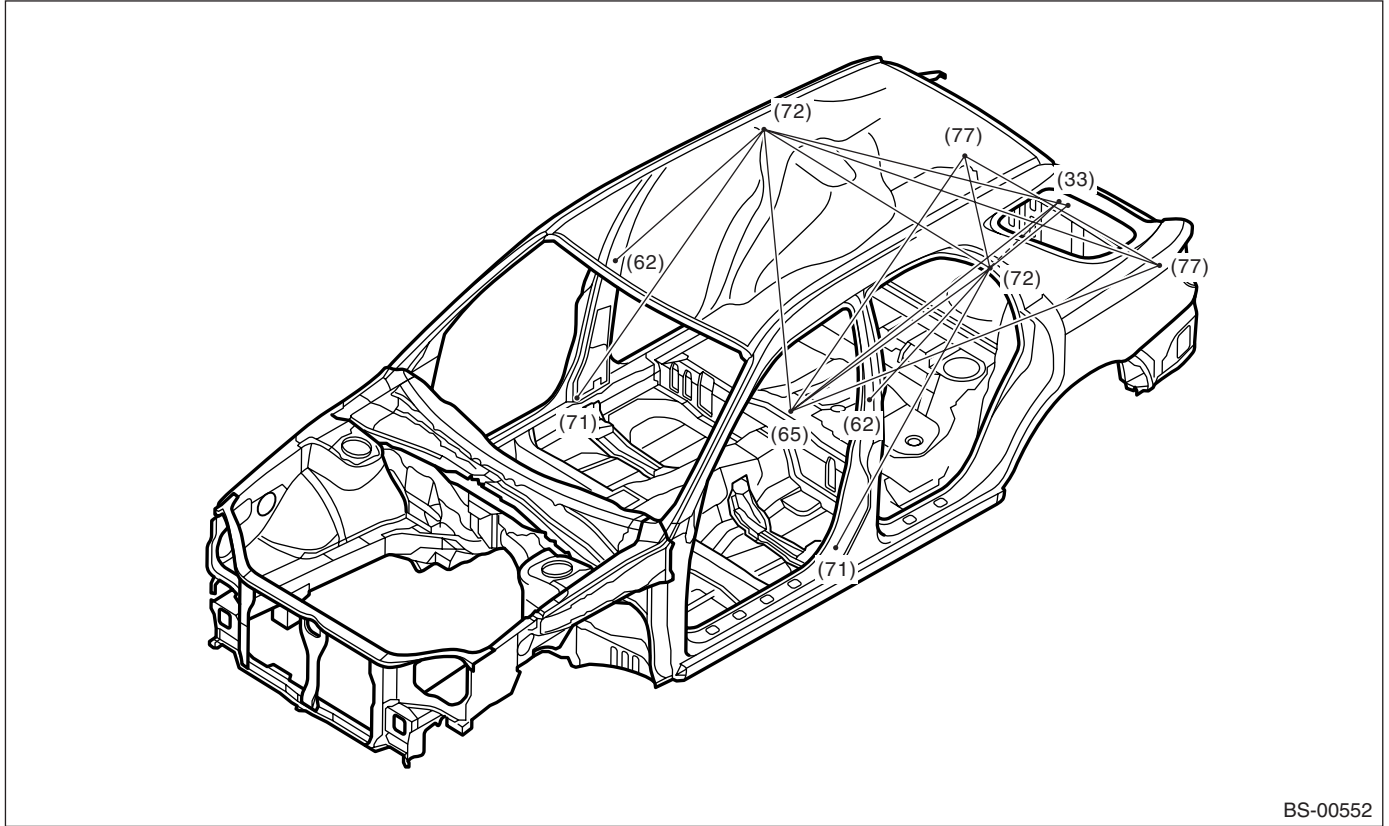


BS-00551

Point to point	Dimension mm (in)
(58) RH to (58) LH	1,128 (44.41)
(62) RH to (62) LH	1,332 (52.44)
(62) RH to (65)	915 (36.02)
(62) LH to (65)	915 (36.02)
(62) RH to (73) RH	762 (30.00)
(62) LH to (73) LH	762 (30.00)
(62) RH to (73) LH	1,561 (61.46)
(62) LH to (73) RH	1,561 (61.46)
(62) RH to (74) RH	592 (23.31) Wagon model
(62) LH to (74) LH	603 (23.74) Sedan model
(65) to (67) RH	1,501 (59.09)
(65) to (67) LH	1,501 (59.09)
(65) to (71) RH	823 (32.40)
(65) to (71) LH	823 (32.40)
(65) to (74) RH	1,275 (50.20) Wagon model
(65) to (74) LH	1,282 (50.47) Sedan model
(65) to (75) RH	1,450 (57.09)
(65) to (75) LH	1,450 (57.09)
(65) to (91) RH	1,064 (41.89)
(65) to (91) LH	1,064 (41.89)
(67) RH to (67) LH	1,110 (43.70)
(67) RH to (91) LH	1,381 (54.37)
(67) LH to (91) RH	1,381 (54.37)
(70) RH to (70) LH	1,060 (41.73)
(70) RH to (73) RH	948 (37.32)

Point to point	Dimension mm (in)
(70) LH to (73) LH	948 (37.32)
(70) RH to (73) LH	1,542 (60.71)
(70) LH to (73) RH	1,542 (60.71)
(70) RH to (75) RH	1,443 (56.81)
(70) LH to (75) LH	1,443 (56.81)
(70) RH to (91) LH	1,532 (60.32)
(70) LH to (91) RH	1,532 (60.32)
(71) RH to (71) LH	1,361 (53.58)
(71) RH to (74) RH	954 (37.56) Wagon model
(71) LH to (74) LH	949 (37.36) Sedan model
(74) RH to (74) LH	1,135 (44.69) Wagon model
(74) RH to (74) LH	1,147 (45.16) Sedan model
(75) RH to (75) LH	1,399 (55.08)
(91) RH to (91) LH	1,205 (47.44)

4. WAGON MODEL (FRONT STRUCTURE)



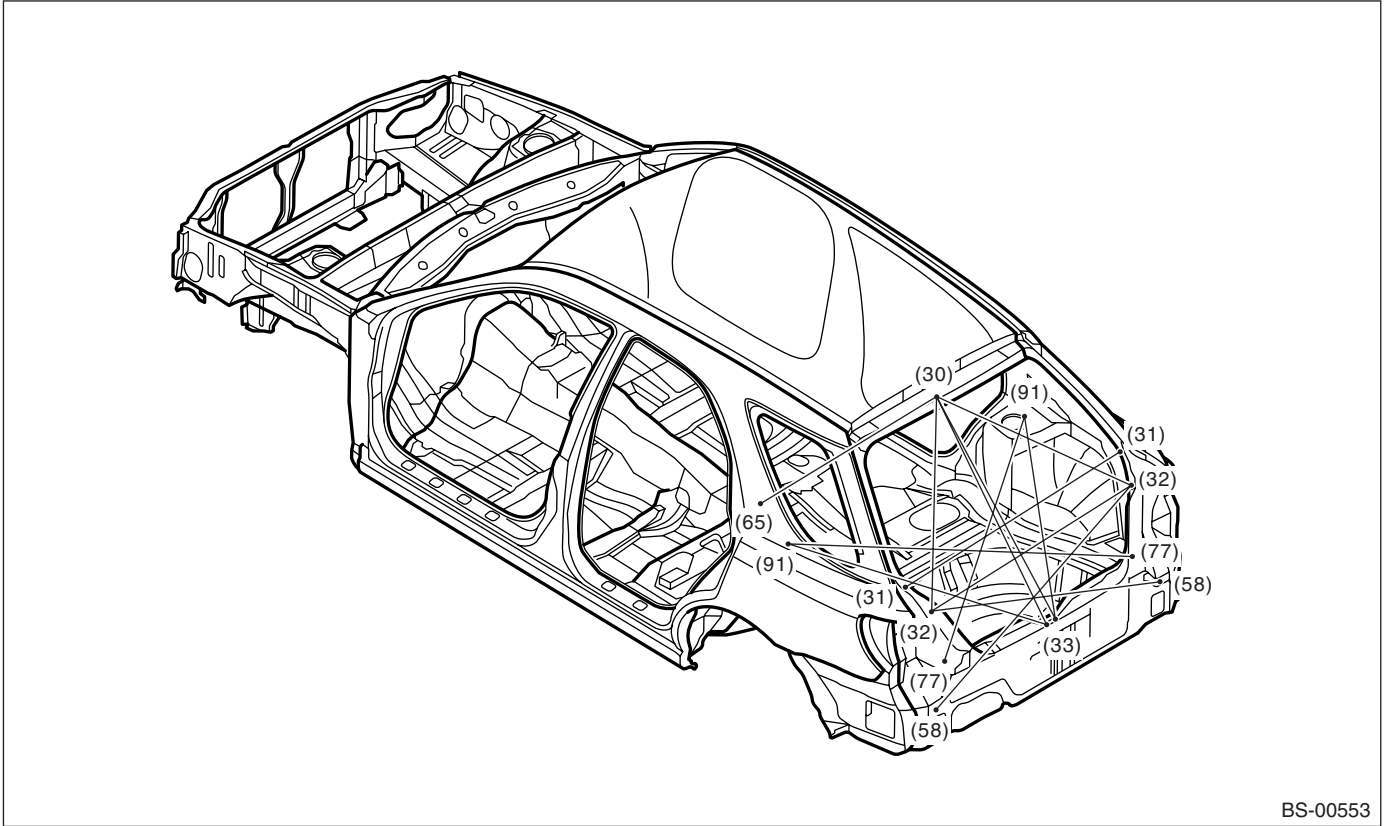
BS-00552

Point to point	Dimension mm (in)
(33) RH to (65)	1,534 (60.39)
(33) LH to (65)	1,534 (60.39)
(33) RH to (72) LH	1,334 (52.52)
(33) LH to (72) RH	1,334 (52.52)
(62) RH to (72) RH	732 (28.82)
(62) LH to (72) LH	732 (28.82)
(65) to (72) RH	1,076 (42.36)
(65) to (72) LH	1,076 (42.36)
(65) to (77) RH	1,538 (60.55)
(65) to (77) LH	1,538 (60.55)
(71) RH to (72) RH	1,223 (48.15)
(71) LH to (72) LH	1,223 (48.15)
(72) RH to (72) LH	1,226 (48.27)
(72) RH to (77) LH	1,544 (60.79)
(72) LH to (77) RH	1,544 (60.79)
(77) RH to (77) LH	898 (35.35)

Datum Dimensions

BODY STRUCTURE

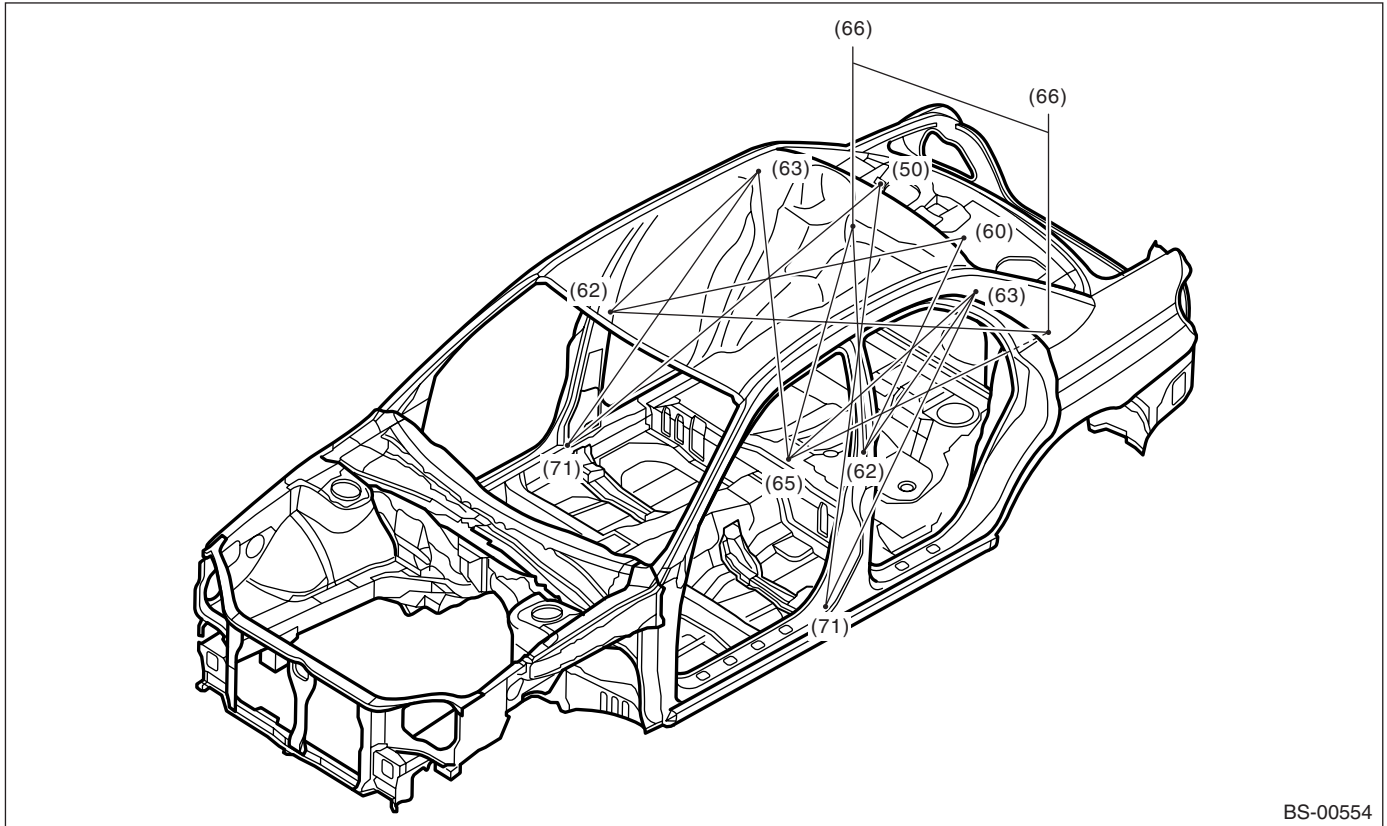
5. WAGON MODEL (REAR STRUCTURE)



BS-00553

Point to point	Dimension mm (in)
(30) to (32) RH	850 (33.46)
(30) to (32) LH	850 (33.46)
(30) to (33) RH	904 (35.59)
(30) to (33) LH	904 (35.59)
(30) to (65)	1,293 (50.91)
(31) RH to (31) LH	1,212 (47.72)
(32) RH to (32) LH	1,038 (40.87)
(32) RH to (58) LH	1,139 (44.84)
(32) LH to (58) RH	1,139 (44.84)
(33) RH to (91) RH	993 (39.09)
(33) LH to (91) LH	993 (39.09)
(77) RH to (91) LH	1,289 (50.75)
(77) LH to (91) RH	1,289 (50.75)

6. SEDAN MODEL (FRONT STRUCTURE)



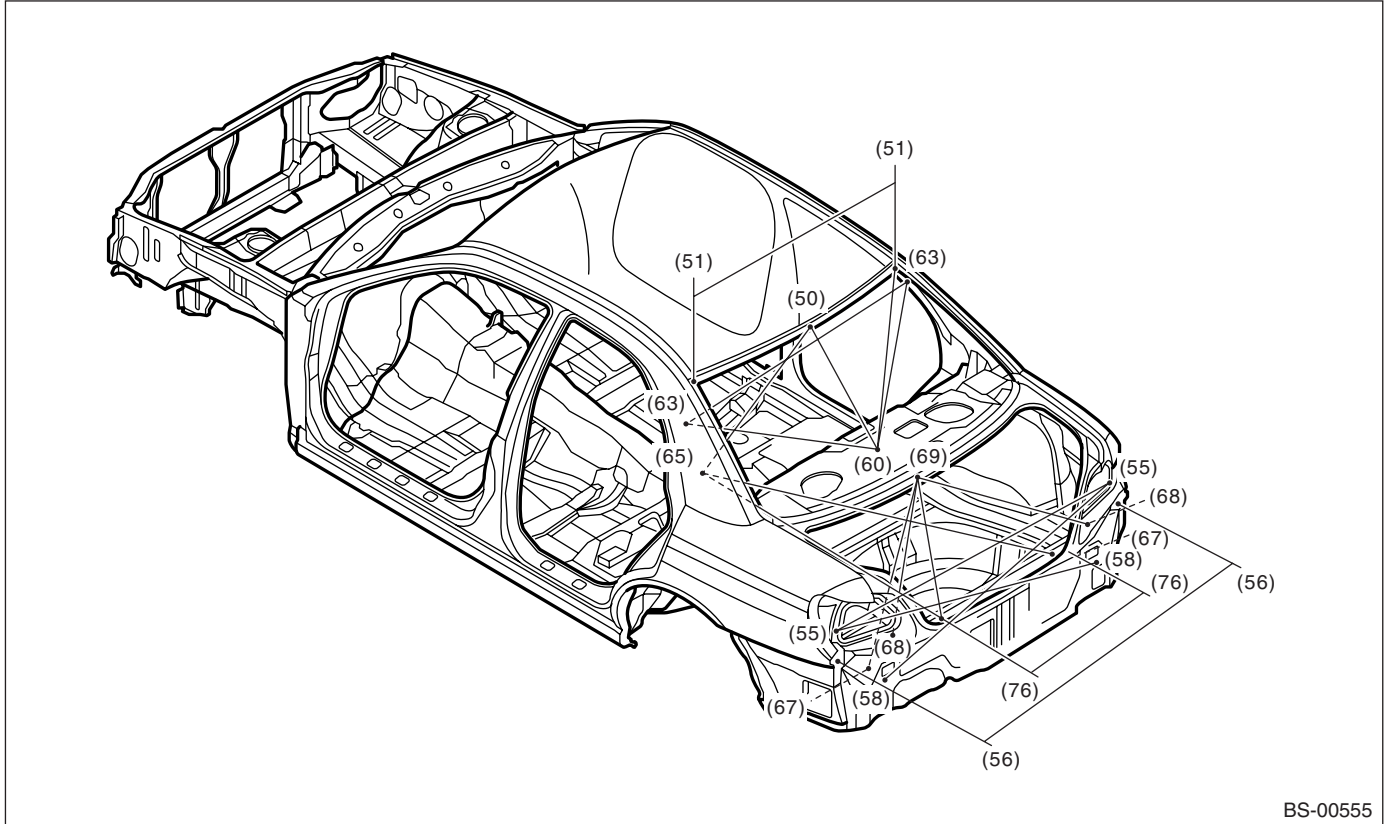
BS-00554

Point to point	Dimension mm (in)
(50) to (71) RH	1,562 (61.50)
(50) to (71) LH	1,562 (61.50)
(60) to (62) RH	1,338 (52.68)
(60) to (62) LH	1,338 (52.68)
(62) RH to (63) RH	773 (30.43)
(62) LH to (63) LH	773 (30.43)
(62) RH to (66) LH	1,449 (57.05)
(62) LH to (66) RH	1,449 (57.05)
(63) RH to (65)	1,118 (44.02)
(63) LH to (65)	1,118 (44.02)
(63) RH to (71) RH	1,283 (50.51)
(63) LH to (71) LH	1,283 (50.51)
(65) to (66) RH	956 (37.64)
(65) to (66) LH	956 (37.64)
(66) RH to (66) LH	840 (33.07)

Datum Dimensions

BODY STRUCTURE

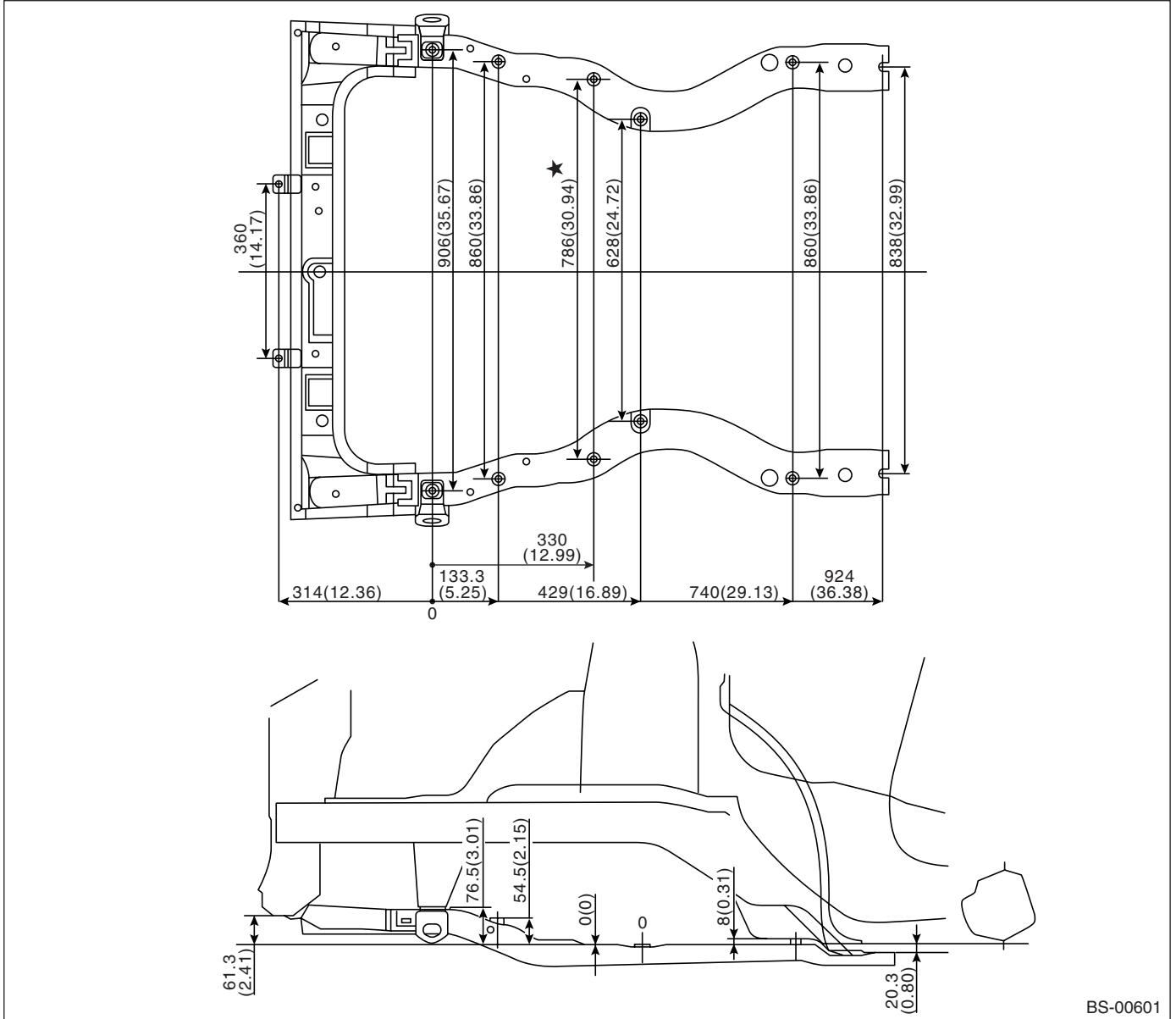
7. SEDAN MODEL (REAR STRUCTURE)



BS-00555

Point to point	Dimension mm (in)
(50) to (60)	501 (19.72)
(50) to (65)	1,082 (42.60)
(51) RH to (51) LH	1,025 (40.35)
(51) RH to (60)	734 (28.90)
(55) RH to (55) LH	1,406 (55.35)
(55) RH to (58) LH	1,297 (51.06)
(55) LH to (58) RH	1,297 (51.06)
(56) RH to (56) LH	1,426 (56.14)
(60) to (63) RH	764 (30.08)
(60) to (63) LH	764 (30.08)
(63) RH to (63) LH	1,183 (46.57)
(65) to (76) RH	1,544 (60.79)
(65) to (76) LH	1,544 (60.79)
(65) to (68) RH	1,581 (62.24)
(65) to (68) LH	1,581 (62.24)
(67) RH to (69)	784 (30.87)
(67) LH to (69)	784 (30.87)
(68) RH to (68) LH	1,020 (40.16)
(68) RH to (69)	681 (26.81)
(68) LH to (69)	681 (26.81)
(69) to (76) RH	537 (21.14)
(69) to (76) LH	537 (21.14)
(76) RH to (76) LH	600 (23.62)

8. SUB FRAME ALIGNMENT



Unit: mm (in)

* : Only for STi model

Horizontal and vertical dimensions are values measured from datum points (0).

Datum Dimensions

BODY STRUCTURE
